



Illustrated Parts Manual

Models

1532E/1932E

2033E/2046E

2646E/2658E

P/N
3120847

January 27, 2012



An Oshkosh Corporation Company

REVISION LOG

Power Down Machines include machines built through S/Ns 34920 except those S/Ns listed below.

Gravity Down Machines include machines with S/Ns 33685, 33686, 33687, 33691, 33692, 33693, 33697, 33698, 33699, 33701 to 33707, 34044, 34049, 34141, 34142, 34143, 34172, 34173, 34174 and 34921 to present.

April 1997 Original Issue (Separated 3120838 Complete Manual into 3 Individual Manuals. Added Gravity Down Machine components.)

June 1997 Change 1

Affected Pages:

Cover and Pages A and i

Section 1 Pages: 1-14, 1-15, 1-20, 1-21, 1-22 Blank, 1-23, 1-30

Section 2 Pages: 2-17/2-18 Blank

Section 4 Pages: 4-1, 4-28 to 4-35/4-36 Blank

Section 5 Pages: 5-3

Section 6 Pages: 6-6, 6-7

Section 7 Pages: 7-6, 7-7, 7-8, 7-10, 7-11, 7-12

Section 9 Pages: 9-1/9-2 Blank

Section 10 Pages: 10-1/10-2 Blank

May 1998 Revised

July 1, 1999 Revised

May 30, 2002 Revised

June 14, 2004 Revised

January 31, 2009 Revised

January 27, 2012 Revised

REVISION LOG

TABLE OF CONTENTS

FIGURE NO.	TITLE	PAGE NO.
SECTION 1 - FRAME1-1		
1-1	DRIVE AND STEERING INSTALLATION	1-2
1-2	DRIVE MOTOR ASSEMBLIES - WHITE	1-8
1-3	DRIVE MOTOR ASSEMBLIES - EATON	1-12
1-4	AXLE/BRAKE INSTALLATIONS (POWER DOWN MACHINES)	1-14
1-5	AXLE/BRAKE INSTALLATIONS (GRAVITY DOWN MACHINES)	1-18
1-6	JLG POTHOLE PROTECTION SYSTEM INSTALLATION (POWER DOWN MACHINES)	1-20
1-7	JLG POTHOLE PROTECTION SYSTEM INSTALLATION (GRAVITY DOWN MACHINES)	1-24
1-8	FRAME MOUNTED COMPONENTS INSTALLATION (POWER DOWN MACHINES) ..	1-28
1-9	FRAME MOUNTED COMPONENTS INSTALLATION (GRAVITY DOWN MACHINES) ..	1-32
1-10	BATTERY CHARGER ASSEMBLIES - SINGLE VOLTAGE	1-38
1-11	BATTERY CHARGER ASSEMBLIES - DUAL VOLTAGE	1-40
1-12	BATTERY CHARGER ASSEMBLIES - REPLACEMENT KIT	1-42
SECTION 2 - GROUND COMPONENTS2-1		
2-1	HYDRAULIC COMPONENTS AND COVER INSTALLATION - 1532E/1932E (POWER DOWN MACHINES)	2-2
2-2	HYDRAULIC COMPONENTS AND COVERS INSTALLATION -1532E/1932E (GRAVITY DOWN MACHINES)	2-4
2-3	HYDRAULIC COMPONENTS AND COVERS INSTALLATION -2033E/2046E/ 2646E/2658E (POWER DOWN MACHINES)	2-6
2-4	HYDRAULIC COMPONENTS AND COVERS INSTALLATION -2033E/2046E/ 2646E/2658E (GRAVITY DOWN MACHINES)	2-10
2-5	VALVE ASSEMBLY	2-14
2-6	ELECTRICAL COMPONENTS INSTALLATIONS (AT GROUND CONTROLS)	2-18
2-7	BATTERY INSTALLATIONS	2-22
SECTION 3 - SCISSOR ARMS.....3-1		
3-1	SCISSOR ARMS INSTALLATION - 1532E (POWER DOWN MACHINES)	3-2
3-2	SCISSOR ARMS INSTALLATION - 1532E (GRAVITY DOWN MACHINES)	3-6
3-3	SCISSOR ARMS INSTALLATION - 1932E (POWER DOWN MACHINES)	3-10
3-4	SCISSOR ARMS INSTALLATION - 1932E (GRAVITY DOWN MACHINES)	3-14
3-5	SCISSOR ARMS INSTALLATION - 2033E/2046E (POWER DOWN MACHINES) ...	3-18
3-6	SCISSOR ARMS INSTALLATION - 2033E/2046E (GRAVITY DOWN MACHINES) ...	3-22
3-7	SCISSOR ARMS INSTALLATION - 2646E/2658E (POWER DOWN MACHINES) ...	3-26
3-8	SCISSOR ARMS INSTALLATION - 2646E/2658E (GRAVITY DOWN MACHINES) ...	3-30
3-9	ARM GUARDS INSTALLATION - 1532E/1932E PRIOR TO S/N 30542	3-34
3-10	ARM GUARDS INSTALLATION - 2033E/2046E/2646E BUILT PRIOR TO S/N 30542 AND ALL 2658E BUILT PRIOR TO S/N 51216	3-36
3-11	ARM GUARDS INSTALLATION - ALL 2658E BUILT S/N 51216 TO PRESENT	3-38
3-12	PLATFORM DESCENT DELAY SYSTEM INSTALLATION - 1532E/1932E/2033E/ 2046E/2646E BUILT S/N 30542 TO PRESENT	3-42
SECTION 4 - PLATFORM.....4-1		
4-1	PLATFORM INSTALLATION - MANUALLY OPERATED EXTENSION	4-2
4-2	HANDRAILS AND EXTENSION INSTALLATION - STANDARD RAILS (MANUALLY OPERATED) (1532E/1932E)	4-8
4-3	HANDRAILS AND EXTENSION INSTALLATION -STANDARD RAILS (MANUALLY OPERATED) (2033E/2046E/2646E/2658E)	4-12

TABLE OF CONTENTS

FIGURE NO.	TITLE	PAGE NO.
4-4	HANDRAILS AND EXTENSION INSTALLATION - FOLDDOWN RAILS (MANUALLY OPERATED) (1532E/1932E)	4-18
4-5	HANDRAILS AND EXTENSION INSTALLATION - FOLDDOWN RAILS (MANUALLY OPERATED) (2033E/2046E/2646E/2658E)	4-24
4-6	PLATFORM CONSOLE BOX ASSEMBLY	4-30
4-7	CONTROLLER ASSEMBLY - OEM	4-34
4-8	CONTROLLER ASSEMBLY - PQ	4-36
SECTION 5 - CYLINDER		5-1
5-1	BRAKE CYLINDER ASSEMBLY	5-2
5-2	LIFT CYLINDER COMPONENTS ASSEMBLY (1532/1932 POWER DOWN MACHINES BUILT PRIOR TO S/N 27181)	5-4
5-3	LIFT CYLINDER COMPONENTS ASSEMBLY (1532/1932 POWERDOWN MACHINES BUILT S/N 27181 TO PRESENT)	5-8
5-4	LIFT CYLINDER COMPONENTS ASSEMBLY (1532E/1932E GRAVITY DOWN MACHINES)	5-10
5-5	LIFT CYLINDER COMPONENTS ASSEMBLY (2033E/2046E POWER DOWN MACHINES BUILT PRIOR TO S/N 27085 & 2646E/2658E POWER DOWN MACHINES BUILT PRIOR TO S/N 26916)	5-14
5-6	LIFT CYLINDER COMPONENTS ASSEMBLY (2033E/2046E POWER DOWN MACHINES BUILT S/N 27085 TO PRESENT & 2646E/2658E POWER DOWN MACHINES BUILT S/N 26916 TO PRESENT)	5-18
5-7	LIFT CYLINDER COMPONENTS ASSEMBLY (2033E/2046E/2646E/2658E GRAVITY DOWN MACHINES)	5-22
5-8	STEER CYLINDER ASSEMBLY	5-26
SECTION 6 - HYDRAULIC		6-1
6-1	HYDRAULIC DIAGRAM (POWER DOWN MACHINES)	6-2
6-2	HYDRAULIC DIAGRAM (GRAVITY DOWN MACHINES)	6-6
6-3	HYDRAULIC DIAGRAM LIST	6-10
SECTION 7 - ELECTRICAL		7-1
7-1	ELECTRICAL DIAGRAM LIST	7-2
7-2	STANDARD ELECTRICAL DIAGRAM (POWER DOWN MACHINES)	7-4
7-3	STANDARD ELECTRICAL DIAGRAM (GRAVITY DOWN MACHINES)	7-6
7-4	HARNES AND CABLE ASSEMBLIES	7-8
SECTION 8 - DECALS		8-1
8-1	DECALS INSTALLATION - 1532E/1932E POWER DOWN MACHINES	8-2
8-2	DECALS INSTALLATION - 1532E/1932E GRAVITY DOWN MACHINES	8-6
8-3	DECALS INSTALLATION - 2033E/2046E/2646E/2658E POWER DOWN MACHINES	8-12
8-4	DECALS INSTALLATION - 2033E/2046E/2646E/2658E GRAVITY DOWN MACHINES	8-18
SECTION 9 - RECOMMENDED SERVICE PARTS STOCK		9-1
SECTION 10 - SPECIAL OPTIONS		10-1
SECTION 11 - PART NUMBER INDEX		11-1

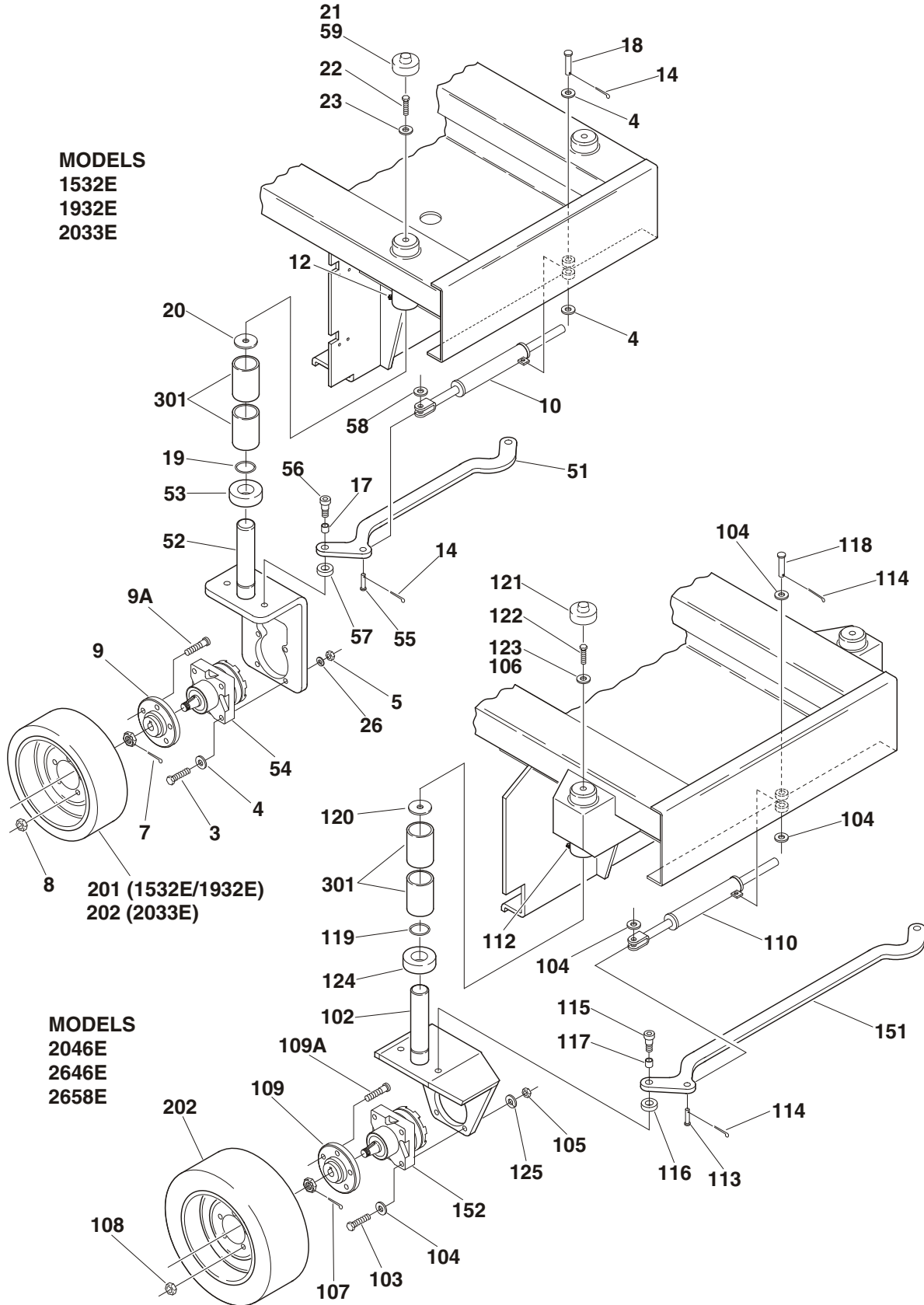
SECTION 1 FRAME

TABLE OF CONTENTS		
FIGURE	DESCRIPTION	PAGE
1-1	DRIVE AND STEERING INSTALLATIONS	1-2
1-2	DRIVE MOTOR ASSEMBLIES- WHITE	1-8
1-3	DRIVE MOTOR ASSEMBLIES- EATON	1-12
1-4	AXLE/BRAKE INSTALLATIONS (POWER DOWN MACHINES)	1-14
1-5	AXLE/BRAKE INSTALLATIONS (GRAVITY DOWN MACHINES)	1-18
1-6	JLG POTHOLE PROTECTION SYSTEM INSTALLATIONS (POWER DOWN MACHINES) ...	1-20
1-7	JLG POTHOLE PROTECTION SYSTEM INSTALLATIONS (GRAVITY DOWN MACHINES) ..	1-24
1-8	FRAME MOUNTED COMPONENTS INSTALLATIONS (POWER DOWN MACHINES)	1-28
1-9	FRAME MOUNTED COMPONENTS INSTALLATIONS (GRAVITY DOWN MACHINES)	1-32
1-10	BATTERY CHARGER ASSEMBLIES - SINGLE VOLTAGE	1-38
1-11	BATTERY CHARGER ASSEMBLIES - DUAL VOLTAGE	1-40
1-12	BATTERY CHARGER ASSEMBLIES - REPLACEMENT KIT	1-42

SECTION 1 FRAME

FIGURE 1-1. DRIVE AND STEERING INSTALLATION

SECTION
1
FRAME



SECTION 1 FRAME

FIGURE 1-1. DRIVE AND STEERING INSTALLATION

FIG & ITEM #	PART NUMBER	DESCRIPTION	QTY.	REV.
		DRIVE AND STEERING INSTALLATION - 1532E/1932E/2033E (STANDARD PARTS)	Ref.	
1 to 2	Not Used			
3	0641826	Bolt 1/2"-13NC x 3 1/4"	8	
4	4740453	Flatwasher 1/2" Special	A/R	
5	3311801	Nut 1/2"-13NC	8	
6	0100011	Loctite #242 (Not Shown)	A/R	
7	3450406	Pin, Cotter 1/8" x 1 1/2"	2	
8	3300255	Nut, Wheel	10	
9	2780216	Hub	2	
9A	7012613	Bolt, Wheel (5 Per Hub)	10	
10		Steer Cylinder Assembly Options (See Section 5 for Breakdown):	1	
	1683351	Prior to S/N 24267		
	1683428	S/N 24267 to Present		
11	Not Used			
12	2160002	Fitting, Grease (Prior to S/N 30800)	2	
	2160006	Fitting, Grease (S/N 30800 to S/N 42315)	2	
	2160008	Fitting, Grease (S/N 42315 to Present)	2	
	1120064	Cap, Grease Fitting	A/R	
13	Not Used			
14	3450403	Pin, Cotter 1/8" x 3/4"	2	
15 to 16	Not Used			
17	0962013	Bushing, Fiberglide	2	
18	3430824	Pin, Clevis	1	
19	3780166	O-Ring	2	
20	4740419	Washer, Thrust	2	
21	1120417	Cap	2	
22	0641611	Bolt 3/8"-16NC x 1 3/8"	2	
23	4711600	Flatwasher 3/8" Narrow	2	
24 to 25	Not Used			
26	4761800	Lockwasher 1/2" (S/N 28527 to Present)	8	
		DRIVE AND STEERING INSTALLATIONS - 1532E/1932E2/2033E (VARIABLE PARTS)	Ref.	
	0256636	1532E/1932E (Prior to S/N 36748)	Ref.	10
	0257567	1532E/1932E (S/N 36748 to Present)	Ref.	7
	0256635	2033E With Manually Operated Extension (Standard Machines) (Prior to S/N 36748)	Ref.	9
	0257568	2033E With Manually Operated Extension (Standard Machines) (S/N 36748 to Present)	Ref.	6
	0258882	2033E With Power Operated Extension (Standard Machines)	Ref.	1
51		Tie-Rod Options:	1	
	3841322	1532E/1932E Prior to S/N 45299		
	3841387	1532E/1932E S/N 45299 to Present		
	3841321	2033E Prior to S/N 40773	1	
	3841379	2033E S/N 40773 to Present	1	
52		Spindle Options:	2	
	4130336	1532E/1932E		
	4130329	2033E		

SECTION 1 FRAME

SECTION 1 FRAME

FIGURE 1-1. DRIVE AND STEERING INSTALLATION (CONTINUED)

FIG & ITEM #	PART NUMBER	DESCRIPTION	QTY.	REV.
53	Not Required	Spacer Options:	A/R	
	4566833	1532E/1932E	0	
		2033E	2	
54		Drive Motor Assembly Options:	2	
	3160207	1532E/1932E Prior to S/N 36748 (See Figure 1-2 for Breakdown)		
	3160219	1532E/1932E S/N 36748 to Present (See Figure 1-3 for Breakdown)		
	3160214	2033E with Manually Operated Extension Built Prior to S/N 36748 (See Figure 1-2 For Breakdown)		
	3160220	2033E with Manually Operated Extension Built S/N 36748 to Present (See Figure 1-3 For Breakdown)		
	3160208	2033E with Powered Operated Extension (See Figure 1-2 For Breakdown)		
55		Pin, Clevis Options:	1	
	3430811	1532E/1932E		
	3430812	2033E		
56		Bolt, Shoulder Options:	2	
	0630495	1532E/1932E Prior to S/N 28527		
	0630516	1532E/1932E S/N 28527 to Present		
	0630495	2033E		
57		Spacer, Bushing Options:	2	
	0962014	1532E/1932E Prior to S/N 28527		
	0962085	1532E/1932E S/N 28527 to Present		
	0962014	2033E		
58		Flatwasher	1	
	4711800	1532E/1932E		
	4740453	2033E		
59	0100001	Adhesive (S/N 41485 to Present)	A/R	
		DRIVE AND STEERING INSTALLATION - 2046E/2646E/2658E (STANDARD PARTS)	Ref.	
101	Not Used			
102	4130332	Spindle	2	
103	0641826	Bolt 1/2"-13NC x 3 1/4"	8	
104	4740453	Flatwasher 1/2" Special	10	
105	3311801	Nut 1/2"-13NC	8	
106	0100011	Loctite #242	A/R	
107	3450406	Pin, Cotter 1/8" x 1 1/2"	2	
108	3300255	Nut, Wheel	10	
109	2780216	Hub	2	
109A	7012613	Bolt, Wheel (5 Per Hub)	10	
110		Steer Cylinder Assembly Options (See Section 10-5 for Breakdown):	1	
	1683351	Prior to S/N 24267		
	1683429	S/N 24267 to Present		
111	Not Used			
112	2160002	Fitting, Grease (Prior to S/N 30800)	2	
	2160006	Fitting, Grease (S/N 30800 to S/N 42315)	2	
	2160008	Fitting, Grease (S/N 42315 to Present)	2	
	1120064	Cap, Grease Fitting	A/R	
113	3430812	Pin, Clevis	1	
114	3450403	Pin, Cotter 1/8" x 3/4"	2	

SECTION 1 FRAME

FIGURE 1-1. DRIVE AND STEERING INSTALLATION (CONTINUED)

FIG & ITEM #	PART NUMBER	DESCRIPTION	QTY.	REV.
115	0630495	Bolt, Shoulder	2	
116	0962014	Spacer	2	
117	0962013	Bushing, Fiberglide	2	
118	3430824	Pin	1	
119	3780166	O-Ring	2	
120	4740419	Thrustwasher	2	
121	1120417	Cap	2	
122	0641612	Bolt 3/8"-16NC x 1 1/2"	2	
123	4711600	Flatwasher 3/8" Narrow	2	
124	4566833	Spacer	2	
125	4761800	Lockwasher 1/2"	8	
126	0100081	Adhesive #454 (Not Shown)	A/R	
		DRIVE AND STEERING INSTALLATIONS - 2046E/2646E/ 2658E (VARIABLE PARTS)	Ref.	
	0256653	2046E/2646E Standard Machines (Prior to S/N 36748)	Ref.	9
	0257570	2046E Standard Machines (S/N 36748 to S/N 37751)	Ref.	2
	0257571	2646E Standard Machines (S/N 36748 to S/N 37751)	Ref.	2
	0256653	2046E/2646E Standard Machines (S/N 37751 to Present)	Ref.	9
	0256654	2658E Standard Machines (Prior to S/N36748)	Ref.	9
	0257572	2658E Standard Machines (S/N 36748 to S/N 37751)	Ref.	2
	0256654	2658E Standard Machines (S/N 37751 to Present)	Ref.	9
151		Tie-Rod Options:	1	
	3841320	2046E/2646E		
	3841324	2658E Prior to S/N 36748		
	3841320	2658E S/N 36748 to S/N 37751		
	3841324	2658E S/N 37751 to Present		
152		Drive Motor Assembly Options:	2	
	3160208	2046E/2646E (Prior to S/N 36748) (See Figure 1-2 for Breakdown)		
	3160220	2046E (S/N 36748 to S/N 37751) (See Figure 1-3 for Breakdown)		
	3160221	2646E (S/N 36748 to S/N 37751) (See Figure 1-3 for Breakdown)		
	3160208	2046E/2646E (S/N 37751 to Present) (See Figure 1-2 for Breakdown)		
	3160208	2658E (Prior to 36748) (See Figure 1-2 for Breakdown)		
	3160221	2658E (S/N 36748 to S/N 37751) (See Figure 1-3 for Breakdown)		
	3160208	2658E (S/N 37751 to Present) (See Figure 1-2 for Breakdown)		
		TIRE AND WHEEL INSTALLATIONS - 1532E/1932E	Ref.	
	0255680	Black Tire And Wheel Installation	Ref.	
	0255683	Standard Non-Marking Tire And Wheel Installation	Ref.	
201		Tire Options:	4	
	4520175	Black - 4.50 x 14	A/R	
	4520177	Non-Marking Standard	A/R	

SECTION 1 FRAME

SECTION 1 FRAME

FIGURE 1-1. DRIVE AND STEERING INSTALLATION (CONTINUED)

FIG & ITEM #	PART NUMBER	DESCRIPTION	QTY.	REV.
202		TIRE AND WHEEL INSTALLATIONS - 2033E/2046E/ 2646E/2658E	Ref.	
	0255679	Black Tire And Wheel Installation	Ref.	
	0255682	Standard Non-Marking Tire And Wheel Installation	Ref.	
	0256334	Flotation Tire And Wheel Installation - 7.5 x 16	Ref.	
	0257156	Flotation Tire And Wheel Installation - 7 x 16	Ref.	
		Tire Options:	4	
	4520174	Black - 5.0 x 16	A/R	
	4520176	Non-Marking Standard	A/R	
	4520183	Flotation - 7.5 x 16	A/R	
	4520191	Flotation - 7 x 16	A/R	
		FRAME WELDMENTS OPTIONS:	Ref.	
		Note: To determine Power or Gravity Down refer to page A.		
	2360399	1532E (Power Down) (All Machines)	1	
	2360428	1532E (Gravity Down) (CE Spec)	1	
	2360468	1532E (Gravity Down) (Australian Spec)	1	
	2360399	1932E (Power Down) (All Machines)	1	
	2360428	1532E (Gravity Down) (CE Spec)	1	
	2360429	1932E (Gravity Down) (Australian Spec)	1	
	2360419	2033E (Power Down) (Australian Spec)	1	
	2360431	2033E (Gravity Down) (Australian Spec)	1	
	2360395	2033E (Power Down) (CE Spec)	1	
	2360431	2033E (Gravity Down) (CE Spec)	1	
	2360396	2046E (Power Down) (All Machines)	1	
	2360432	2046E (Gravity Down) (All Machines)	1	
	2360412	2646E (Power Down) (All Machines)	1	
	2360433	2646E (Gravity Down) (All Machines except Outdoor Spec)	1	
	2360437	2646E (Gravity Down) (Outdoor Spec)	1	
2360397	2658E (Power Down) (All Machines)	1		
2360434	2658E (Gravity Down) (All Machines)	1		
301	0962017	Bushing	4	

SECTION 1 FRAME

FIGURE 1-1. DRIVE AND STEERING INSTALLATION (CONTINUED)

FIG & ITEM #	PART NUMBER	DESCRIPTION	QTY.	REV.

**S
E
C
T
I
O
N

1

F
R
A
M
E**

SECTION 1 FRAME

FIGURE 1-2. DRIVE MOTOR ASSEMBLIES - WHITE

FIG & ITEM #	PART NUMBER	DESCRIPTION	QTY.	REV.
		DRIVE MOTOR ASSEMBLY (STANDARD PARTS)	Ref.	
1	Kit	Seal, Dust	1	
2	Kit	Ring, Wire	1	
3	Kit	Shim, Back-Up	1	
4	Kit	Seal, High Pressure	1	
5	Kit	Shim, Back-Up	1	
6	Kit	Seal, Back-Up	1	
7	Kit	Seal, Shaft	1	
8	Kit	Seal, Housing	1	
9	Kit	Seal, Body	2	
10	Kit	Seal, End Cover	1	
11	Kit	Carrier, Seal	1	
12	Kit	Thrust Washer	1	
13	Not Used			
14	7016400	Bearing, Front Housing	1	
15	7016401	Housing	1	
16	7016402	Bearing, Rear Housing	1	
17	7016403	Link, Drive	1	
18	7016404	Manifold	1	
19	7016405	Boot, Manifold	1	
20 to 21	Not Used			
22	Kit	Plate, Balance	1	
23	Kit	Ball, Steel	4	
24	7016413	Cover, End	1	
25	Not Serviced	Tag, Identification	1	
26	Not Used			
27	7016410	Shaft	1	
28	7016411	Key	1	

	2900665	Seal and Carrier Kit (Includes Kit P/N's 7005896 and 7005897)	1	
	7005896	Seal Kit (Includes Items 1-10)	1	
	7005897	Carrier Kit (Includes Items 11 and 12)	1	
	7016408	Balance Plate Kit (Includes Items 22 and 23)	1	
		DRIVE MOTOR ASSEMBLY (VARIABLE PARTS)	Ref.	
	3160207	1532E/1932E	Ref.	B
	3160214	2033E	Ref.	B
	3160208	2046E/2646E/2658E	Ref.	B
51		Spacer, Drive Link Options:	1	
	7016414	1532E/1932E		
	7016419	2033E		
	7016406	2046E/2646E/2658E		
52		Rotor Assembly Options:	1	
	7016415	1532E/1932E		
	7016420	2033E		
	7016407	2046E/2646E/2658E		
53		Bolt, Assembly Options:	6	
	7016416	1532E/1932E		
	7016409	2033E		
	7016409	2046E/2646E/2658E		
54		Bearing, Thrust Options:	2	
	7005899	1532E/1932E		
	7016418	2033E		
	7005899	2046E/2646E/2658E		

SECTION 1 FRAME

SECTION
1
FRAME

FIGURE 1-2. DRIVE MOTOR ASSEMBLIES - WHITE (CONTINUED)

FIG & ITEM #	PART NUMBER	DESCRIPTION	QTY.	REV.
55	7016412 7016421 7016412	Nut Options: 1532E/1932E 2033E 2046E/2646E/2658E	1	

SECTION 1 FRAME

FIGURE 1-2. DRIVE MOTOR ASSEMBLIES - WHITE (CONTINUED)

FIG & ITEM #	PART NUMBER	DESCRIPTION	QTY.	REV.

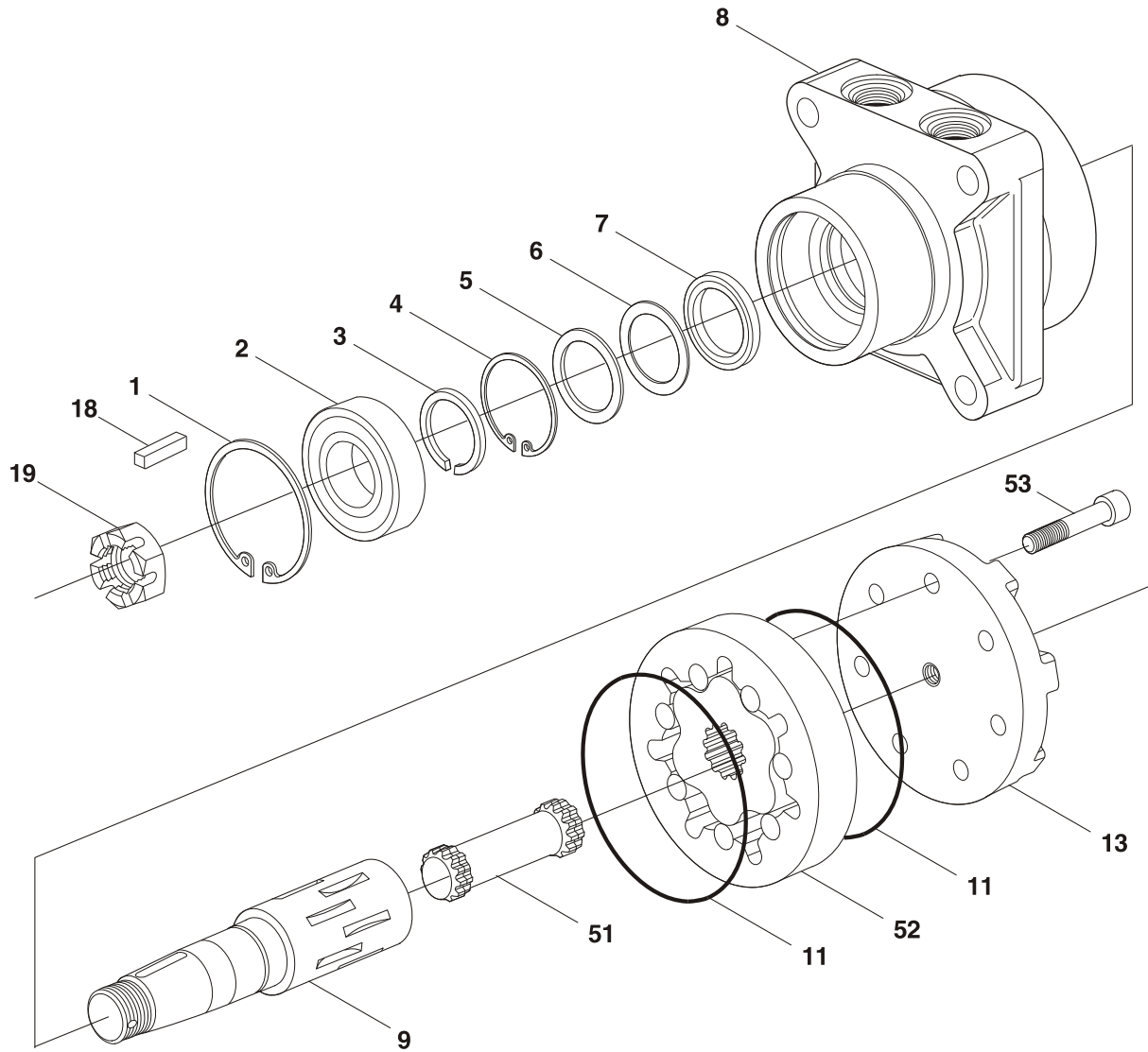
**S
E
C
T
I
O
N

1

F
R
A
M
E**

SECTION 1 FRAME

FIGURE 1-3. DRIVE MOTOR ASSEMBLIES - EATON



SECTION
1
FRAME

SECTION 1 FRAME

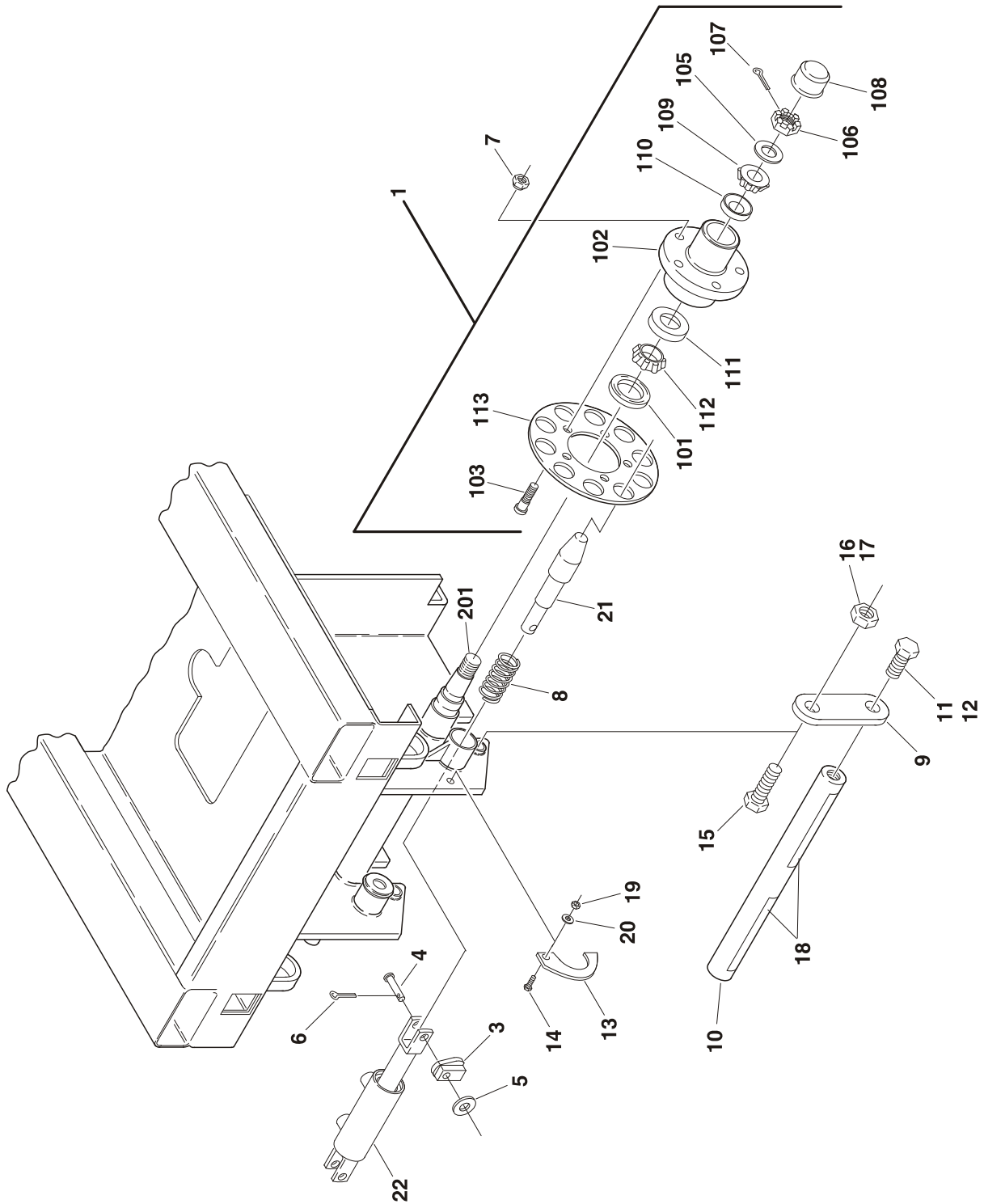
FIGURE 1-3. DRIVE MOTOR ASSEMBLIES - EATON

FIG & ITEM #	PART NUMBER	DESCRIPTION	QTY.	REV.
		DRIVE MOTOR ASSEMBLY (STANDARD PARTS)	Ref.	
1	7007892	Ring, Retaining	1	
2	7007893	Bearing, Ball	1	
3	7007894	Ring, Retaining	1	
4	7007895	Ring, Retaining	1	
5	7007896	Washer	1	
6	7009919	Washer, Back-Up	1	
7	7009920	Seal, Pressure	1	
8	7007897	Housing	1	
9	7007898	Shaft, Output	1	
10	Not Used			
11	7020300	Seal	2	
12	Not Used			
13	7020302	Cover, End	1	
14 to 17	Not Used			
18	7020312	Key	1	
19	7009934	Nut	1	
20	7020304	Poppet (Not Shown)	2	

	7020305	Seal Kit	1	
		DRIVE MOTOR ASSEMBLY (VARIABLE PARTS)	Ref.	
	3160219	1532E/1932E	Ref.	A
	3160220	2033E	Ref.	A
	3160221	2046E/2646E/2658E	Ref.	A
51		Link, Drive Options:	1	
	7007899	1532E/1932E		
	7020306	2033E		
	7020308	2046E/2646E/2658E		
52		Rotor Assembly	1	
	7020301	1532E/1932E		
	7020307	2033E		
	7020309	2046E/2646E/2658E		
53		Bolt	6	
	7020303	1532E/1932E		
	7020310	2033E		
	7020310	2046E/2646E/2658E		

SECTION 1 FRAME

FIGURE 1-4. AXLE/BRAKE INSTALLATIONS (POWER DOWN MACHINES)



SECTION 1 FRAME

SECTION 1 FRAME

FIGURE 1-4. AXLE/BRAKE INSTALLATIONS (POWER DOWN MACHINES)

FIG & ITEM #	PART NUMBER	DESCRIPTION	QTY.	REV.
		Note: To determine Power or Gravity Down refer to Page A.		
		BRAKE INSTALLATION (STANDARD PARTS)	Ref.	
1	2780215	Hub Assembly (See Items 101-113 for Breakdown)	2	
2	Not Used			
3	4845037	Cam, Brake	2	
4	3430620	Pin, Clevis	2	
5	4751600	Flatwasher 3/8"	2	
6	3450504	Pin, Cotter (Prior to S/N 33691)	2	
	3450403	Pin, Cotter (S/N 33691 to Present)	2	
7	3300255	Lugnut	5	
8	4160137	Spring	2	
		BRAKE INSTALLATION (VARIABLE PARTS)	Ref.	
	0256596	1532E/1932E	Ref.	B
	0255614	2033E	Ref.	D
	0255636	2046E/2646E	Ref.	D
	0255637	2658E	Ref.	D
9		Link Options:	A/R	
	Not Required	1532E/1932E/2046E/2646E/2658E	0	
	3010112	2033E	2	
10		Bar Options:	A/R	
	Not Required	1532E/1932E/2046E/2646E/2658E	0	
	0362510	2033E	1	
11		Bolt 7/8"-9NC x 1 1/2" (Grade 8) Options:	A/R	
	Not Required	1532E/1932E/2046E/2646E/2658E	0	
	0682412	2033E	2	
12	0100019	Loctite #271	A/R	
13		Latch, Forklift Bar Options:	A/R	
	Not Required	1532E/1932E/2046E/2646E/2658E	0	
	2940097	2033E	1	
14		Bolt 1/4"-20NC x 7/8" Options:	A/R	
	Not Required	1532E/1932E/2046E/2646E/2658E	0	
	0641407	2033E	1	
15		Bolt 1"-8NC x 2 1/2" (Grade 8) Options:	A/R	
	Not Required	1532E/1932E/2046E/2646E/2658E	0	
	0682620	2033E	2	
16		Locknut 1"-8NC (Grade 8) Options:	A/R	
	Not Required	1532E/1932E/2046E/2646E/2658E	0	
	3272605	2033E	2	
17	3020017	Grease (S/N 33691 to Present)	A/R	
18		Decal - Forklift Area Options:	A/R	
	Not Required	1532E/1932E/2046E/2646E/2658E	0	
	1701508	2033E	2	
19	3311405	Locknut 1/4"-20NC Options:	A/R	
	Not Required	1532E/1932E/2046E/2646E/2658E	0	
	3311405	2033E	2	
20		Flatwasher 1/4" Options:	A/R	
	Not Required	1532E/1932E/2046E/2646E/2658E	0	
	4751400	2033E	2	
21		Rod, Brake Options:	2	
	3841274	1532E/1932E/2033E		
	3841280	2046E/2646E		

SECTION 1 FRAME

SECTION 1 FRAME

FIGURE 1-4. AXLE/BRAKE INSTALLATIONS (POWER DOWN MACHINES) (CONTINUED)

FIG & ITEM #	PART NUMBER	DESCRIPTION	QTY.	REV.
22		Brake Cylinder Assembly Options (See Section 5 for Breakdown):	1	
	1683362	1532E/1932E/2046E/2646E/2658E Prior to S/N 33691		
	1683499	1532E/1932E/2046E/2646E/2658E S/N 33691 to Present		
	1683362	2033E		
	2780215	HUB ASSEMBLY	Ref.	B
101	7010649	Seal	1	
102	7019695	Housing	1	
103	7019696	Stud, Wheel	5	
104	Not Used			
105	7019697	Washer	1	
106	7010641	Nut, Slotted	1	
107	7010642	Pin, Cotter	1	
108	7010648	Cap, Dust	1	
109	7010650	Cone, Outer	1	
110	7003903	Cup, Outer	1	
111	7010651	Cup, Inner	1	
112	7010647	Cone, Inner	1	
113	1760165	Disc, Brake	1	
		ASSOCIATED FRAME COMPONENTS	Ref.	
201		Axle Weldment Options:	1	
	0280145	1532E/1932E/2033E		
	0280146	2046E/2646E		
	0280147	2658E		

SECTION 1 FRAME

FIGURE 1-4. AXLE/BRAKE INSTALLATIONS (POWER DOWN MACHINES) (CONTINUED)

FIG & ITEM #	PART NUMBER	DESCRIPTION	QTY.	REV.

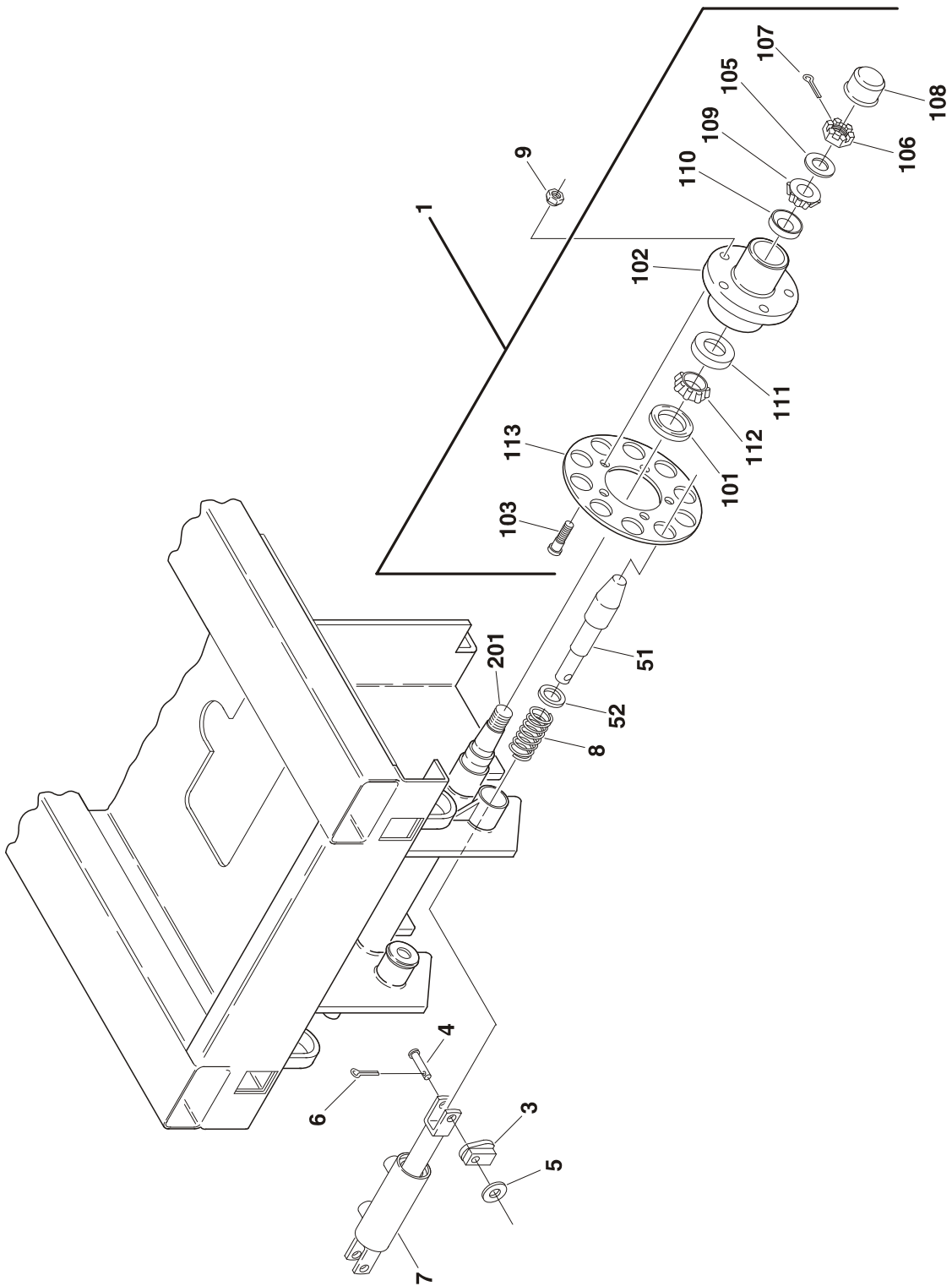
**S
E
C
T
I
O
N

1

F
R
A
M
E**

SECTION 1 FRAME

FIGURE 1-5. AXLE/BRAKE INSTALLATIONS (GRAVITY DOWN MACHINES)



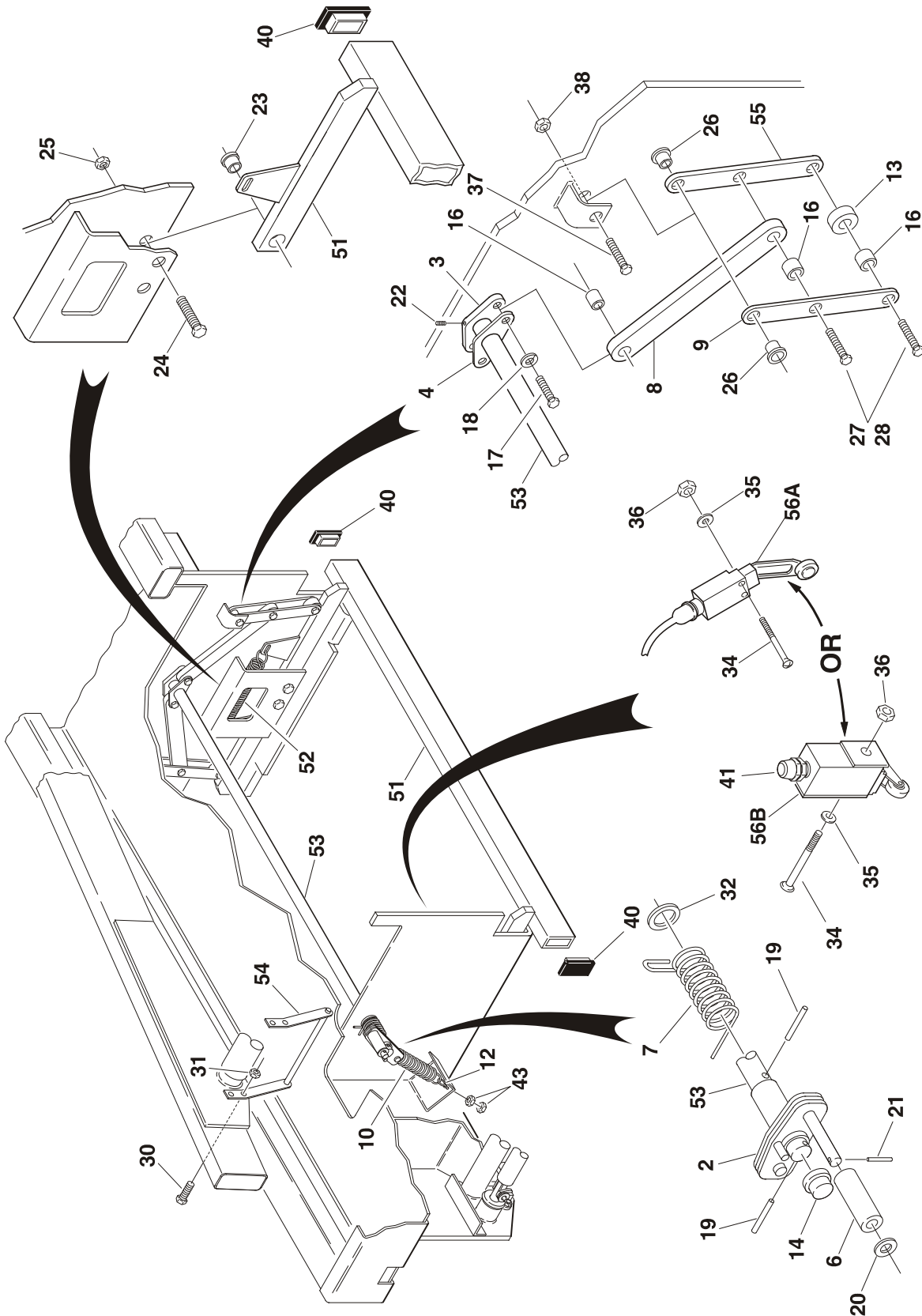
SECTION 1 FRAME

FIGURE 1-5. AXLE/BRAKE INSTALLATIONS (GRAVITY DOWN MACHINES)

FIG & ITEM #	PART NUMBER	DESCRIPTION	QTY.	REV.
		Note: To determine Power or Gravity Down refer to Page A.		
		BRAKE INSTALLATION (STANDARD PARTS)	Ref.	
1	2780215	Hub Assembly (See Items 101-113 for Breakdown)	2	
2	Not Used			
3	4845037	Cam, Brake	2	
4	3430620	Pin, Clevis	2	
5	4711600	Flatwasher 3/8" Narrow	2	
6	3450403	Pin, Cotter	2	
7	1683557	Brake Cylinder Assembly (See Section 5 for Breakdown)	1	
8	4160137	Spring	2	
9	3300255	Lugnut	5	
		BRAKE INSTALLATIONS (VARIABLE PARTS)	Ref.	
	0257183	1532E/1932E	Ref.	3
	0257184	2033E	Ref.	3
	0257185	2046E/2646E	Ref.	2
	0257186	2658E	Ref.	2
51		Rod, Brake Options:	2	
	3841332	1532E/1932E/2033E		
	3841333	2046E/2646E		
	3841334	2658E		
52		Spacer Options:	A/R	
	Not Required	1532E/1932E/2033E		
	Not Required	2046E/2646E/2658E Prior to S/N35949		
	4567265	2046E/2646E/2658E S/N35949 to Present		
	2780215	HUB ASSEMBLY	Ref.	B
101	7010649	Seal	1	
102	7019695	Housing	1	
103	7019696	Stud, Wheel	5	
104	Not Used			
105	7019697	Washer	1	
106	7010641	Nut, Slotted	1	
107	7010642	Pin, Cotter	1	
108	7010648	Cap, Dust	1	
109	7010646	Cone, Outer	1	
110	7010650	Cup, Outer	1	
111	7010651	Cup, Inner	1	
112	7010647	Cone, Inner	1	
113	1760165	Disc, Brake	1	
		ASSOCIATED FRAME COMPONENTS	Ref.	
201		Axle Weldment Options:	1	
	0280145	1532E/1932E/2033E		
	0280146	2046E/2646E		
	0280147	2658E		

SECTION 1 FRAME

FIGURE 1-6. JLG POTHOLE PROTECTION SYSTEM INSTALLATION (POWER DOWN MACHINES)



SECTION 1 FRAME

FIGURE 1-6. JLG POTHOLE PROTECTION SYSTEM INSTALLATION (POWER DOWN MACHINES)

FIG & ITEM #	PART NUMBER	DESCRIPTION	QTY.	REV.
		Note: To determine Power or Gravity Down refer to Page A.		
		POTHOLE PROTECTION SYSTEM INSTALLATION (STANDARD PARTS)	Ref.	
1	Not Used			
2	4844987	Pivot Weldment	1	
3	3538809	Plate, Cam	2	
4	3538808	Plate, Cam	2	
5	Not Used			
6	3860065	Roller	1	
7	4160133	Spring, Torsion	1	
8	0362484	Bar, Link	4	
9	0362485	Bar, Actuator	4	
10	4160141	Spring, Extension	1	
11	Not Used			
12	0630398	Eye-Bolt	1	
13	0362483	Bar, Roller	4	
14	0961997	Bearing, Flange	4	
15	Not Used			
16	0961994	Bearing, Spacer	12	
17	0641612	Bolt - 3/8"-16NC x 1 1/2"	4	
18	4761600	Lockwasher - 3/8"	4	
19	3440828	Roll Pin - 1/4" x 1 3/4"	2	
20	4711800	Flatwasher - 1/2" Narrow	1	
21	3440418	Roll Pin - 1/8" x 1 1/8"	1	
22	3951005	Setscrew - #10-24NC x 5/8"	2	
23	0961995	Bearing, Flange	4	
24	0642224	Bolt - 3/4" - 10NC x 3"	4	
25	3312205	Locknut - 3/4"-10NC	4	
26	0961996	Bearing, Flange	8	
27	0641611	Bolt - 3/8"-16NC x 1 3/8"	8	
28	0100011	Loctite - #242	A/R	
29	Not Used			
30	0641508	Bolt - 5/16"-18NC x 1"	2	
31	3311505	Locknut - 5/16"-18NC	2	
32	4712400	Flatwasher 7/8" Narrow	1	
33	Not Used			
34	3911028	Screw Machine - #10-24NC x 1 3/4"	4	
35	4751000	Flatwasher - #10	4	
36	3311005	Locknut - #10-24NC	4	
37	0641622	Bolt 3/8"-16NC x 2 3/4"	4	
38	3311605	Locknut - 3/8"-16NC	4	
39	Not Used			
40	1120481	Cap, End (S/N 24267 to Present Only)	4	
41	4460662	Connector, Strain Relief	2	
42	Not Used			
43	3311501	Nut 5/16"-18NC	2	

SECTION 1 FRAME

SECTION 1 FRAME

FIGURE 1-6. JLG POTHOLE PROTECTION SYSTEM INSTALLATION (POWER DOWN MACHINES)

FIG & ITEM #	PART NUMBER	DESCRIPTION	QTY.	REV.
		POTHOLE PROTECTION SYSTEM INSTALLATIONS (VARIABLE PARTS)	Ref.	
	0255724	1532E/1932E	Ref.	7
	0255516	2033E	Ref.	11
	0255638	2046E/2646E	Ref.	11
	0255639	2658E	Ref.	11
51		Bar, Support Options:	A/R	
	4845104	1532E/1932E Prior to S/N 24267	2	
	4845360	1532E/1932E Right Side S/N 24267 to Present	1	
	4845383	1532E/1932E Left Side S/N 24267 to Present	1	
	4845268	2033E Prior to S/N 24267	2	
	4845357	2033E S/N 24267 to Present	2	
	4845269	2046E/2646E Prior to S/N 24267	2	
	4845358	2046E/2646E S/N 24267 to Present	2	
	4845270	2658E Prior to S/N 24267	2	
	4845359	2658E S/N 24267 to Present	2	
52		Spring, Extension Options:	2	
	4160134	1532E/1932E/2033E		
	4160146	2046E/2646E/2658E		
53		Rod, Pivot Options:	1	
	3841308	1532E/1932E		
	3841266	2033E/2046E/2646E/2658E		
54		Actuator Options:	1	
	4845319	1532E/1932E		
	4845077	2033E/2046E/2646E/2658E		
55		Bar, Actuator Options:	4	
	0362511	Prior to S/N 31231		
	0362654	S/N 31231 to Present		
56		Switch, Limit Options:	2	
56A	4360397	Prior to S/N 31231		
56B	4360401	S/N 31231 to Present		

SECTION 1 FRAME

FIGURE 1-6. JLG POTHOLE PROTECTION SYSTEM INSTALLATION (POWER DOWN MACHINES)

FIG & ITEM #	PART NUMBER	DESCRIPTION	QTY.	REV.

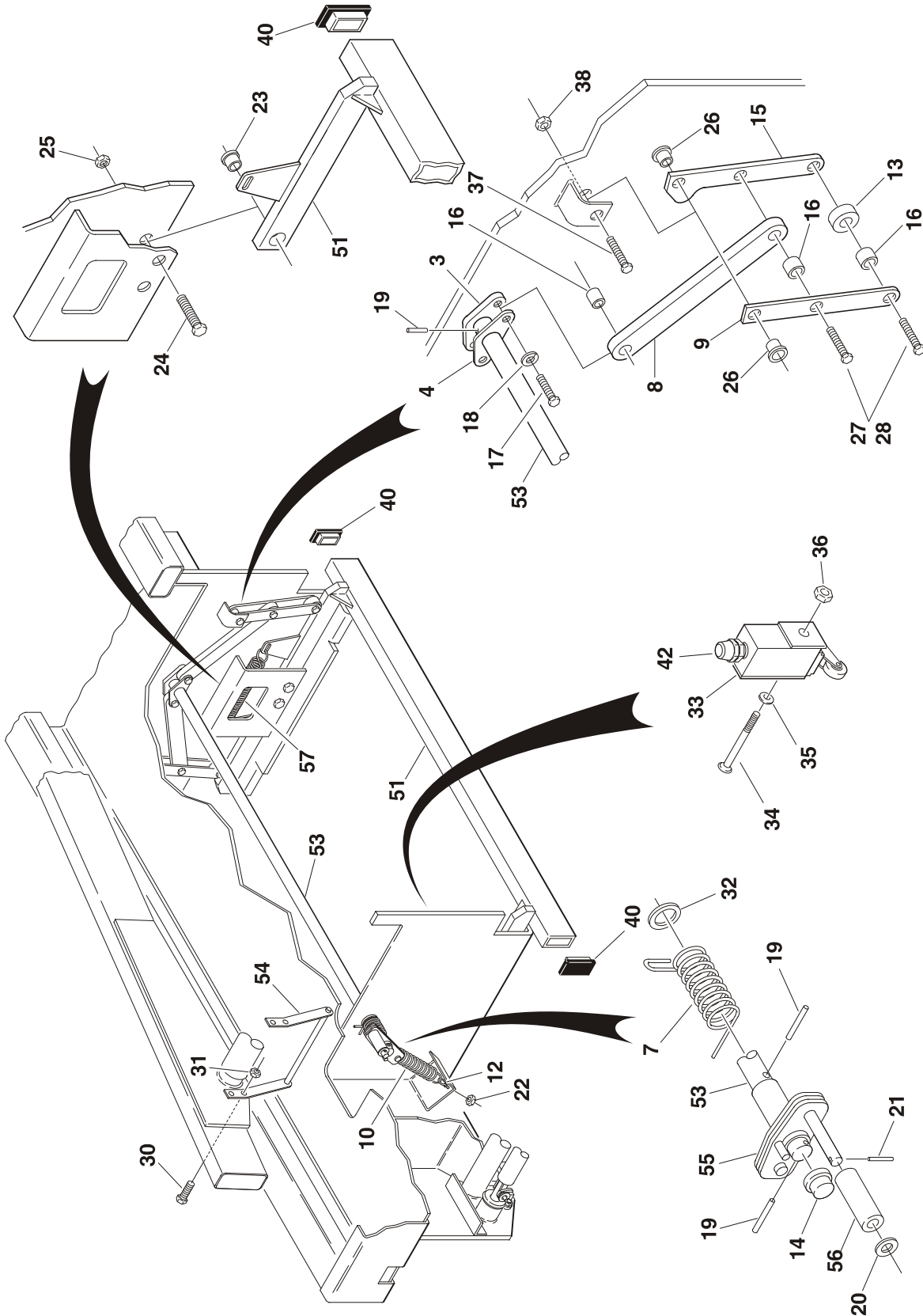
**S
E
C
T
I
O
N

1

F
R
A
M
E**

SECTION 1 FRAME

FIGURE 1-7. JLG POTHOLE PROTECTION SYSTEM INSTALLATION (GRAVITY DOWN MACHINES)



SECTION 1 FRAME

FIGURE 1-7. JLG POTHOLE PROTECTION SYSTEM INSTALLATION (GRAVITY DOWN MACHINES)

FIG & ITEM #	PART NUMBER	DESCRIPTION	QTY.	REV.
		Note: To determine Power or Gravity Down refer to Page A.		
		POTHOLE PROTECTION SYSTEM INSTALLATION (STANDARD PARTS)	Ref.	
1 to 2	Not Used			
3	3570198	Plate, Cam	2	
4	4845385	Bushing Weldment	2	
5 to 6	Not Used			
7	4160133	Spring, Torsion	1	
8	0362484	Bar, Link	4	
9	0362485	Bar, Actuator	4	
10	4160141	Spring, Extension	1	
11	Not Used			
12	0630398	Eye-Bolt	1	
13	0362483	Bar, Roller	4	
14	0961997	Bearing, Flange	4	
15	0362654	Bar, Actuator	4	
16	0961994	Bearing, Spacer	12	
17	0641612	Bolt - 3/8"-16NC x 1 1/2"	4	
18	4761600	Lockwasher - 3/8"	4	
19	3440828	Roll Pin - 1/4" x 1 3/4"	5	
20	4711800	Flatwasher - 1/2" Narrow	1	
21	3440418	Roll Pin - 1/8" x 1 1/8"	1	
22	3311501	Nut 5/16-18NC (S/N 39132 to Present)	2	
23	0961995	Bearing, Flange	4	
24	0642224	Bolt - 3/4" - 10NC x 3"	4	
25	3312205	Locknut - 3/4"-10NC	4	
26	0961996	Bearing, Flange	8	
27	0641611	Bolt - 3/8"-16NC x 1 3/8"	8	
28	0100011	Loctite - #242	A/R	
29	Not Used			
30	0641508	Bolt - 5/16"-18NC x 1"	4	
31	3311505	Locknut - 5/16"-18NC	4	
32	4712400	Flatwasher 7/8" Narrow (Prior to S/N 37119)	1	
33	4360401	Switch, Limit	2	
34	3911024	Screw Machine - #10-24NC x 1 1/2"	4	
35	4751000	Flatwasher - #10	4	
36	3311005	Locknut - #10-24NC	4	
37	0641622	Bolt 3/8"-16NC x 2 3/4"	4	
38	3311605	Locknut - 3/8"-16NC	4	
39	Not Used			
40	1120481	Cap, End	4	
41	Not Used			
42	4460662	Connector, Strain Relief	2	

SECTION 1 FRAME

SECTION 1 FRAME

FIGURE 1-7. JLG POTHOLE PROTECTION SYSTEM INSTALLATION (GRAVITY DOWN MACHINES)

FIG & ITEM #	PART NUMBER	DESCRIPTION	QTY.	REV.
		POTHOLE PROTECTION SYSTEM INSTALLATION (VARIABLE PARTS)		
	0257330	1532E/1932E	Ref.	5
	0257331	2033E	Ref.	5
	0257332	2046E/2646E	Ref.	6
	0257333	2658E	Ref.	6
51		Bar, Support Options:	A/R	
	4845360	1532E/1932E Right Side	1	
	4845383	1532E/1932E Left Side	1	
	4845490	2033E	2	
	4845358	2046E/2646E	2	
	4845359	2658E	2	
52	Not Used			
53		Rod, Pivot Options:	1	
	3841337	1532E/1932E		
	3841338	2033E/2046E/2646E/2658E		
54		Actuator Options:	1	
	4845319	1532E/1932E		
	4845077	2033E/2046E/2646E/2658E		
55		Pivot Weldment Options:	1	
	4845529	1532E/1932E		
	4844987	2033E		
	4844987	2046E/2646E/2658E Prior to S/N 39109		
	4845529	2046E/2646E/2658E S/N 39109 to Present		
56		Roller Options:	1	
	3860079	1532E/1932E		
	3860065	2033E		
	3860065	2046E/2646E/2658E Prior to S/N 39109		
	3860079	2046E/2646E/2658E S/N 39109 to Present		
57		Spring, Extension Options:	2	
	4160134	1532E/1932E/2033E		
	4160146	2046E/2646E/2658E		

SECTION 1 FRAME

FIGURE 1-7. JLG POTHOLE PROTECTION SYSTEM INSTALLATION (GRAVITY DOWN MACHINES)

FIG & ITEM #	PART NUMBER	DESCRIPTION	QTY.	REV.

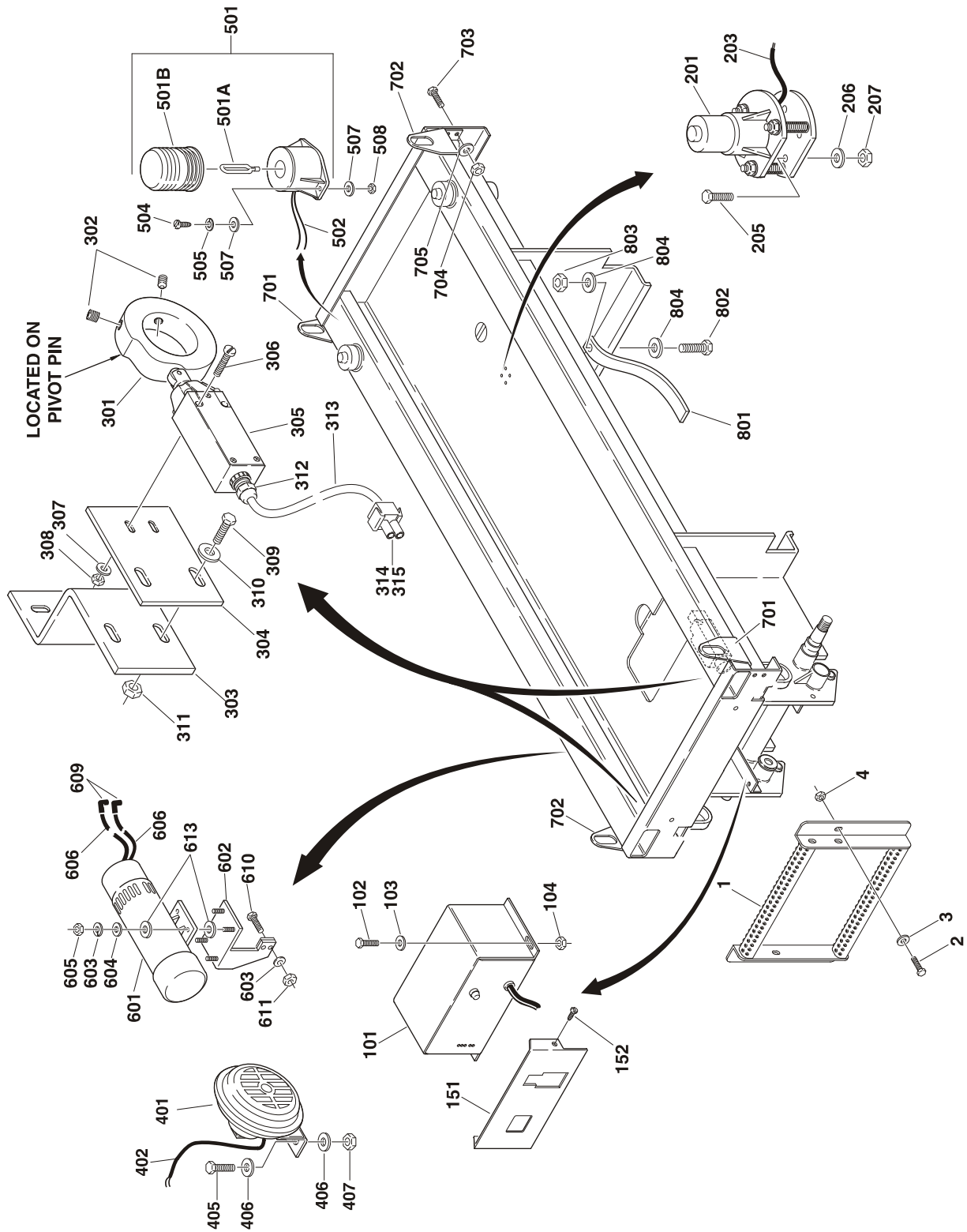
**S
E
C
T
I
O
N

1

F
R
A
M
E**

SECTION 1 FRAME

FIGURE 1-8. FRAME MOUNTED COMPONENTS INSTALLATION (POWER DOWN MACHINES)



SECTION 1 FRAME

FIGURE 1-8. FRAME MOUNTED COMPONENTS INSTALLATION (POWER DOWN MACHINES)

FIG & ITEM #	PART NUMBER	DESCRIPTION	QTY.	REV.
		Note: To determine Power or Gravity Down refer to Page A.		
		LADDER INSTALLATIONS	Ref.	
	0256788	1532E/1932E (Euro Spec)	Ref.	A
	0256564	1532E/1932E (Australian Spec)	Ref.	A
	0256783	2033E/2046E/2646E/2658E (Euro Spec)	Ref.	A
	0255641	2033E/2046E/2646E/2658E (Australian Spec)	Ref.	B
1		Ladder Weldment Options:	1	
	4845379	1532E/1932E (Euro Spec)		
	4845375	2033E/2046E/2646E/2658E (Euro Spec)		
	4845312	All models (Australian Spec)		
2	0641812	Bolt 1/2"-13NC x 1 1/2"	2	
3	4751800	Flatwasher 1/2"	4	
4	3311805	Locknut 1/2"-13NC	2	
5	3520071	Plug, Cap (1532E/1932E Euro Spec) (Not Shown)	4	
		BATTERY CHARGER INSTALLATION (STANDARD PARTS)	Ref.	
101		Battery Charger Assembly Options: (See Figures 1-10, 1-11 & 1-12 for Breakdown)	1	
	Use 2901847	50HZ-250V (Australian Spec) (Was p/n 0400148)		
	Use 2901844	50HZ-220V (Australian, Dutch, French, German, Italian and Spanish Spec) (Was p/n 0400145)		
	Use 2901844	50HZ-120V/240V (UK Spec) (Was p/n 0400146)		
102	0641506	Bolt 5/16"-18NC x 3/4"	2	
103	4711500	Flatwasher 5/16" Narrow	4	
104	3311505	Locknut 5/16"-18NC	2	
		BATTERY CHARGER INSTALLATION (VARIABLE PARTS)	Ref.	
		1532E/1932E/2033E/2046E/2646E:	Ref.	
	0256372	50HZ-250V Single Voltage (Australian Spec)	Ref.	5
	0256369	50HZ-220V Single Voltage (Austrian, Dutch, French, German, Italian & Spanish Spec)	Ref.	5
	0256370	50HZ-240V/120V Dual Voltage (UK Spec)	Ref.	6
		2658E:	Ref.	
	0256441	50HZ-250V Single Voltage (Australian Spec)	Ref.	4
	0256438	50HZ-220V Single Voltage (Austrian, Dutch, French, German, Italian & Spanish Spec)	Ref.	4
	0256439	50HZ-240V/120V Dual Voltage (UK Spec)	Ref.	4
151		Shield Options:	A/R	
	4060927	1532E/1932E/2033E/2046E/2646E (All except UK Spec)	1	
	4060928	2658E (All except UK Spec)	1	
	Not Required	UK Spec	0	
152	3941406	Screw, Self-Tapping 1/4"-20NC x 3/4"	A/R	
153	0100011	Loctite #242 (Not Shown)	A/R	
	0256424	TILT INDICATOR INSTALLATION	Ref.	F
201	4360435	Switch, Level Indication	1	
202	0140011	Alarm (Not Shown - Located on Platform Console)	1	
203	4921819	Harness	1	
204	Not Used			
205	0641407	Bolt 1/4"-20NC x 7/8"	2	
206	4751400	Flatwasher 1/4"	2	
207	3311405	Locknut 1/4"-20NC	2	

SECTION 1 FRAME

FIGURE 1-8. FRAME MOUNTED COMPONENTS INSTALLATION (POWER DOWN MACHINES)

FIG & ITEM #	PART NUMBER	DESCRIPTION	QTY.	REV.
		LIMIT SWITCH INSTALLATIONS		
	0256833	HI-DRIVE LIMIT SWITCH (LEFT SIDE)	Ref.	B
	0255784	DRIVE CUT OUT SWITCH (RIGHT SIDE)	Ref.	3/C
301	1440325	Collar	1	
302	3951603	Setscrew x 3/8"	2	
303	3570030	Bracket	1	
304	3570029	Plate	1	
305	4360321	Switch, Limit	1	
306	3911020	Screw, Machine #10-24NC x 1 1/4"	2	
307	4751000	Flatwasher #10	2	
308	3311005	Locknut #10-24NC	2	
309	0641405	Bolt 1/4"-20NC x 5/8"	2	
310	4751400	Flatwasher 1/4"	4	
311	3311405	Locknut 1/4"-20NC	2	
312	4460428	Connector, Strain Relief	1	
313	1060341	Cable, Electrical - 16/2	9ft/2.74m	
314	4460320	Housing, Terminal	1	
315	4460268	Socket, Terminal	2	
316	0100011	Loctite #242 (Not Shown)	A/R	
	0255950	HORN INSTALLATION (OPTIONAL)	Ref.	C
401	0140022	Horn	1	
402	4921821	Harness (See Section 7 for Breakdown)	1	
403	4360387	Switch, Push Button (Not Shown - Located on Platform Console)	1	
404	Not Used			
405	0641408	Bolt 1/4"-20NC x 1"	1	
406	4751400	Flatwasher 1/4"	2	
407	3311405	Locknut 1/4"-20NC	1	
	0255949	BEACON LIGHT INSTALLATION (OPTIONAL)	Ref.	4/D
501	2920146	Beacon Light Assembly	1	
501A	7016319	Bulb, Light	1	
501B	7016372	Lens, Amber	1	
502	4921822	Harness (See Section 7 For Breakdown)	1	
503	Not Used			
504	0721006	Screw, Machine #10-24NC x 3/4"	2	
505	4761000	Lockwasher #10	2	
506	Not Used			
507	4751000	Flatwasher #10	4	
508	3311001	Nut #10-24	2	
		110V GENERATOR INSTALLATIONS	Ref.	
	0256790	1532E/1932E	Ref.	A
	0256785	2033E	Ref.	A
	0255962	2046E/2646E/2658E	Ref.	E
601	2460022	Generator	1	
	7023336	Repair Kit	1	
602		Mounting Bracket Options:	1	
	0902344	1532E/1932E		
	0902341	2033E		
	0902340	2046E/2646E/2658E		
603	4751500	Flatwasher 5/16"	8	
604	4751700	Flatwasher 7/16"	4	

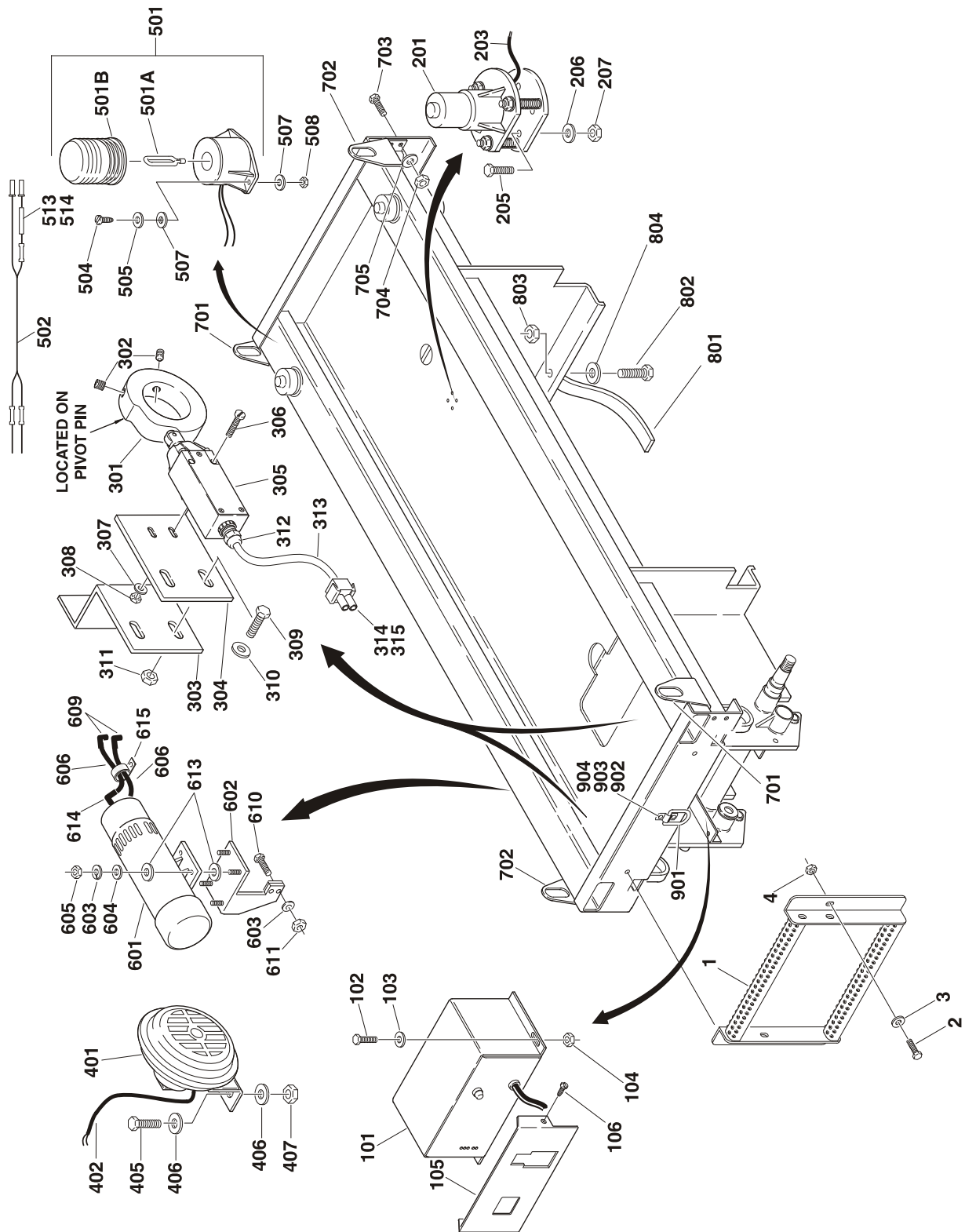
SECTION 1 FRAME

FIGURE 1-8. FRAME MOUNTED COMPONENTS INSTALLATION (POWER DOWN MACHINES)

FIG & ITEM #	PART NUMBER	DESCRIPTION	QTY.	REV.
605	3311505	Locknut 5/16"-18NC	4	
606	1060627	Cable	2	
607 to 608	Not Used			
609	0840027	Boot, Cable	2	
610	0641510	Bolt 5/16"-18NC x 1 1/4"	2	
611	3311505	Locknut 5/16"-18NC	2	
612	3820023	Rivet (Not Shown)	2	
613	4740455	Washer, Nylon	8	
	0256374	LIFTING LUGS INSTALLATION - MODELS 1532E/1932E/ 2046E/2646E/2658E	Ref.	-
	0256373	LIFTING LUGS INSTALLATION - MODEL 2033E ONLY (STANDARD ON AUSTRALIAN SPEC MACHINES/ OPTIONAL ON OTHER SPEC MACHINES)	Ref.	-
701		Lug, Lift (Right Rear/Left Front)	2	
	3539735	Models 1532E/1932E/2046E/2646E/2658E		
	4845314	Model 2033E Only		
702		Lug, Lift (Left Rear/Right Front)	2	
	3539736	Models 1532E/1932E/2046E/2646E/2658E		
	4845315	Model 2033E Only		
703	0641610	Bolt 3/8"-16NC x 1 1/4"	8	
704	3311605	Locknut 3/8"-16NC	8	
705	4751600	Flatwasher 3/8"	8	
	0257372	STATIC STRAP INSTALLATION	Ref.	A/1
801	4240084	Strap, Static	1	
802	0641408	Bolt 1/4"-20NC x 1"	1	
803	3311405	Locknut 1/4"-20NC	1	
804	4751400	Flatwasher 1/4"	2	

SECTION 1 FRAME

FIGURE 1-9. FRAME MOUNTED COMPONENTS INSTALLATION (GRAVITY DOWN MACHINES)



SECTION 1 FRAME

FIGURE 1-9. FRAME MOUNTED COMPONENTS INSTALLATION (GRAVITY DOWN MACHINES)

FIG & ITEM #	PART NUMBER	DESCRIPTION	QTY.	REV.
		Note: To determine Power or Gravity Down refer to Page A.		
		LADDER INSTALLATIONS		
	0256788	1532E/1932E	Ref.	—
	0256783	2033E/2046E/2646E/2658E	Ref.	A
1		Ladder Weldment Options:	1	
	4845379	1532E/1932E		
	4845375	2033E/2046E/2646E/2658E		
2	0641812	Bolt 1/2"-13NC x 1 1/2"	2	
3	4751800	Flatwasher 1/2"	4	
4	3311805	Locknut 1/2"-13NC	2	
5	3520071	Cap-Plug (Not Shown)	4	
		BATTERY CHARGER INSTALLATION	Ref.	
		1532E/1932E:	Ref.	
	0257274	50HZ-250V Single Voltage (Australian Spec)	Ref.	2
	0257271	50HZ-220V Single Voltage (Austrian, Dutch, French, German, Italian & Spanish Spec)	Ref.	2
	0257272	50HZ-240V/120V Dual Voltage (UK Spec)	Ref.	2
		2033E/2046E/2646E/2658E:	Ref.	
	0257279	50HZ-250V Single Voltage (Australian Spec)	Ref.	1
	0257276	50HZ-220V Single Voltage (Austrian, Dutch, French, German, Italian & Spanish Spec)	Ref.	1
	0257277	50HZ-240V/120V Dual Voltage (UK Spec)	Ref.	1
101		Battery Charger Assembly Options: (See Figures 1-10, 1-11 & 1-12 for Breakdown)	1	
	Use 2901847	50HZ-250V (Australian Spec) (Was p/n 0400148)		
	Use 2901844	50HZ-220V (Australian, Dutch, French, German, Italian and Spanish Spec) (Was p/n 0400145)		
	Use 2901844	50HZ-120V/240V (UK Spec) (Was p/n 0400146)		
102	0641506	Bolt 5/16"-18NC x 3/4"	2	
103	4711500	Flatwasher 5/16" Narrow	4	
104	3311505	Locknut 5/16"-18NC	2	
105		Shield Options:	A/R	
	4060936	1532E/1932E	1	
	Not Required	2033E/2046E/2646E/2658E	0	
106	3941406	Screw, Self-Tapping 1/4"-20nc x 3/4"	2	
107	0100011	Loctite #242 (Not Shown)	A/R	
	0256424	TILT INDICATOR INSTALLATION	Ref.	5
201	4360435	Switch, Level Indication	1	
202	0140011	Alarm (Not Shown - Located on Platform Console)	1	
203	4921819	Harness	1	
204	0861070	Cover (Not Shown - 5° Machines Only)	1	
205	0641407	Bolt 1/4"-20NC x 7/8"	2	
206	4751400	Flatwasher 1/4"	2	
207	3311405	Locknut 1/4"-20NC	2	
		HI-DRIVE CUT-OUT SWITCH INSTALLATION	Ref.	
	0256833	Hi-drive Cut-out Switch (Left Side)	Ref.	B
	0256861	Drive Cut-out Switch (Right Side)	Ref.	3/C
301	1440325	Collar	1	
302	3951603	Setscrew 3/8"-16NC x 3/8"	2	

SECTION 1 FRAME

SECTION 1 FRAME

FIGURE 1-9. FRAME MOUNTED COMPONENTS INSTALLATION (GRAVITY DOWN MACHINES)

FIG & ITEM #	PART NUMBER	DESCRIPTION	QTY.	REV.
303	3570030	Bracket	1	
304	3570029	Plate	1	
305	4360321	Switch, Limit	1	
306	3911020	Screw, Machine #10-24NC x 1 1/4"	2	
307	4751000	Flatwasher #10	2	
308	3311005	Locknut #10-24NC	2	
309	0641405	Bolt 1/4"-20NC x 5/8"	2	
310	4751400	Flatwasher 1/4"	4	
311	3311405	Locknut 1/4"-20NC	2	
312	4460428	Connector, Strain Relief	1	
313	1060341	Cable, Electrical - 16/2	9ft/2.74m	
314	4460320	Housing, Terminal	1	
315	4460268	Socket, Terminal	2	
316	0100011	Loctite #242 (Not Shown)	A/R	
	0255950	HORN INSTALLATION (OPTIONAL)	Ref.	4
401	0140022	Horn	1	
402	4921988	Harness (See Section 7 for Breakdown)	1	
403	4360387	Switch, Push Button (Not Shown - Located on Platform Console)	1	
404	Not Used			
405	0641408	Bolt 1/4"-20NC x 1"	1	
406	4751400	Flatwasher 1/4"	2	
407	3311405	Locknut 1/4"-20NC	1	
	0255949	BEACON LIGHT INSTALLATION (OPTIONAL)	Ref.	6/G
501	2920146	Beacon Light Assembly	1	
501A	7016319	Bulb, Light	1	
501B		Amber Lens Options:	1	
	7016320	Lens - 3 1/8" Height		
	7016372	Lens - 4 1/8" Height		
502	4921822	Harness (See Section 10-7 for Breakdown) (Prior to S/N 44696)	1	
	1060341	Harness (See Section 10-7 for Breakdown) (S/N 44696 to Present)	10ft/3.0m	
503	Not Used			
504	0721006	Screw, Machine #10-24NC x 3/4"	2	
505	4761000	Lockwasher #10	2	
506	Not Used			
507	4751000	Flatwasher #10	4	
508	3311001	Nut #10-24	2	
509 to 512	Not Used			
513	4460044	Holder, Fuse (S/N 44696 to Present)	1	
514	2400056	Fuse, AGC-1/2 0.5A, 250V (S/N 44696 to Present)	1	

SECTION 1 FRAME

FIGURE 1-9. FRAME MOUNTED COMPONENTS INSTALLATION (GRAVITY DOWN MACHINES)

FIG & ITEM #	PART NUMBER	DESCRIPTION	QTY.	REV.
		GENERATOR INSTALLATION	Ref.	
	0256790	110V - 1532E/1932E	Ref.	4
	0257174	220V - 1532E/1932E	Ref.	1
	0256785	110V - 2033E	Ref.	4
	0257173	220V - 2033E	Ref.	1
	0255962	110V - 2046E/2646E/2658E	Ref.	8
	0257172	220V - 2046E/2646E/2658E	Ref.	1
601		Generator Options:	1	
	2460022	110 Volt		
	7023336	Repair Kit	1	
	2460031	220 Volt		
602		Mounting Bracket Options:	1	
	0902344	1532E/1932E (Prior to S/N 51987 Only)		
	0902340	2033E/2046E/2646E/2658E (Prior to S/N 43889)		
		Note: For 2033/2046E/2646E/2658E S/N 43889 to present moved to frame - bracket not required.		
603	4751500	Flatwasher 5/16"	A/R	
604	4751700	Flatwasher 7/16"	A/R	
605	3311505	Locknut 5/16"-18NC	A/R	
	2080048	Rivnut	A/R	
606	1060627	Cable	2	
607 to 608	Not Used			
609	0840027	Boot, Cable	2	
610	0641510	Bolt 5/16"-18NC x 1 1/4"	A/R	
611	3311505	Locknut 5/16"-18NC	A/R	
612	3820023	Rivet (Not Shown)	A/R	
613	4740455	Washer, Nylon	8	
614	0840025	Boot, Cable	2	
615	1320095	Clamp	1	
	0256374	LIFTING LUGS INSTALLATION - MODELS 1532E/1932E/2046E/2646E/2658E	Ref.	-
	0256373	LIFTING LUGS INSTALLATION - MODEL 2033E ONLY	Ref.	2
701		Lug, Lift (Right Rear/Left Front)	2	
	3539735	Models 1532E/1932E/2046E/2646E/2658E		
	4845314	Model 2033E Only		
702		Lug, Lift (Left Rear/Right Front)	2	
	3539736	Models 1532E/1932E/2046E/2646E/2658E		
	4845315	Model 2033E Only		
703	0641610	Bolt 3/8"-16NC x 1 1/4"	8	
704	3311605	Locknut 3/8"-16NC	8	
705	4751600	Flatwasher 3/8"	8	
	0257372	STATIC STRAP INSTALLATION	Ref.	3/D
801	4240084	Strap, Static	1	
802	0641408	Bolt 1/4"-20NC x 1" (Prior to S/N 33411)	1	
	3941406	Self Tapping 1/4"-UNC-2A x 3/4" (S/N 33411 to Present)	1	
803	3311405	Locknut 1/4"-20NC (Prior to S/N 33411)	1	
804	4751400	Flatwasher 1/4"	2	

SECTION 1 FRAME

FIGURE 1-9. FRAME MOUNTED COMPONENTS INSTALLATION (GRAVITY DOWN MACHINES)

FIG & ITEM #	PART NUMBER	DESCRIPTION	QTY.	REV.
		TIE-DOWNS INSTALLATIONS		
	0257266	1532E/1932E/2033E/2046E/2646E	Ref.	2/A
	0257266	2658E without Arm Guards	Ref.	2/A
	0257265	2658E with Arm Guards	Ref.	3/A
901	3760365	D-Ring	A/R	
902	0630485	Bolt, Carriage 3/8"-16NC x 1" (2 per Tie-Down)	A/R	
903	4751600	Flatwasher 3/8" (2 per Tie-Down)	A/R	
904	3311605	Locknut 3/8"-16NC (2 per Tie-Down)	A/R	
905	1702300	Decal - Tie Down (Not Shown - See Section 8 for Location)	A/R	

SECTION 1 FRAME

FIGURE 1-9. FRAME MOUNTED COMPONENTS INSTALLATION (GRAVITY DOWN MACHINES)

FIG & ITEM #	PART NUMBER	DESCRIPTION	QTY.	REV.

**S
E
C
T
I
O
N

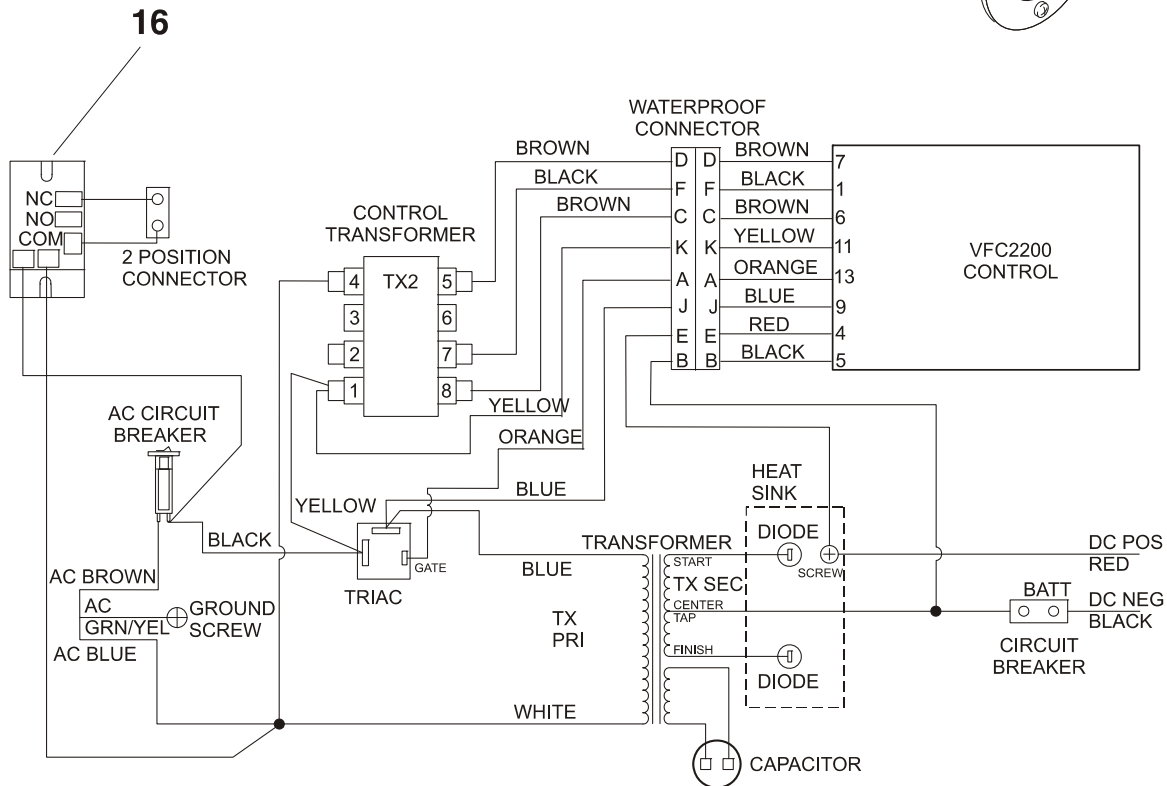
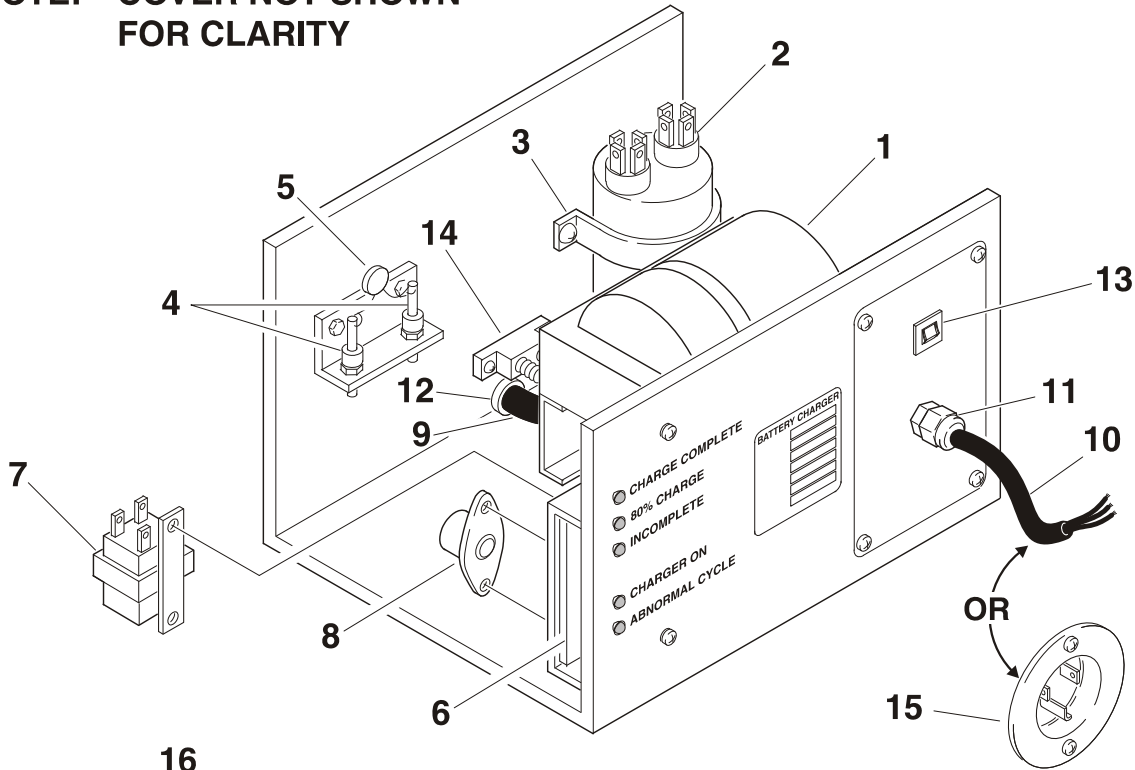
1

F
R
A
M
E**

SECTION 1 FRAME

FIGURE 1-10. BATTERY CHARGER ASSEMBLIES - SINGLE VOLTAGE

NOTE: COVER NOT SHOWN FOR CLARITY



SECTION 1 FRAME

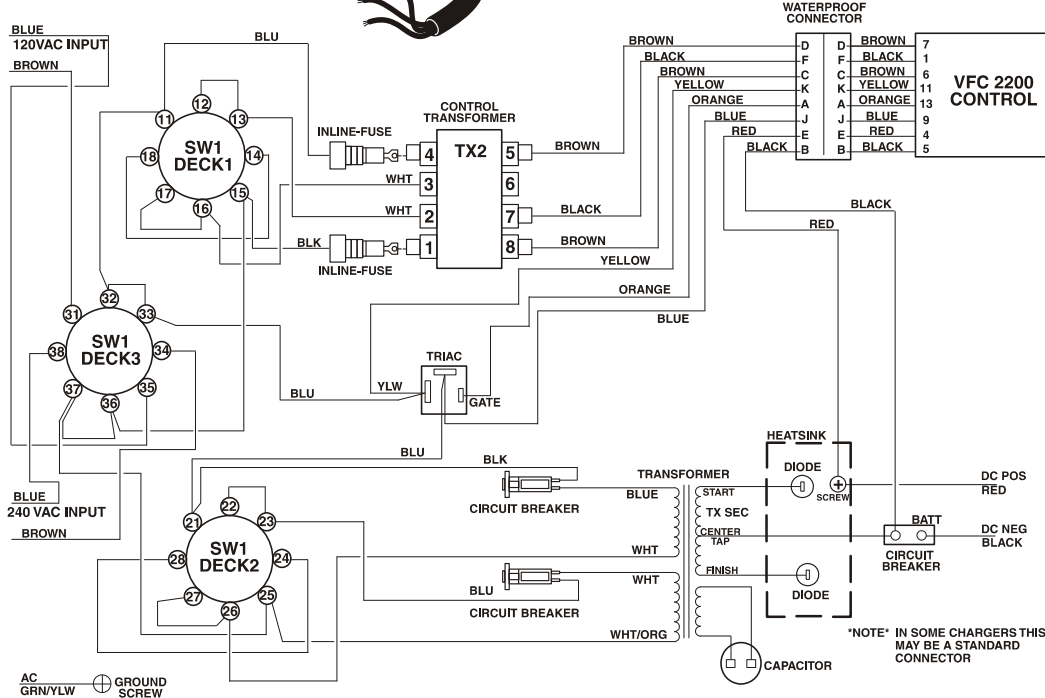
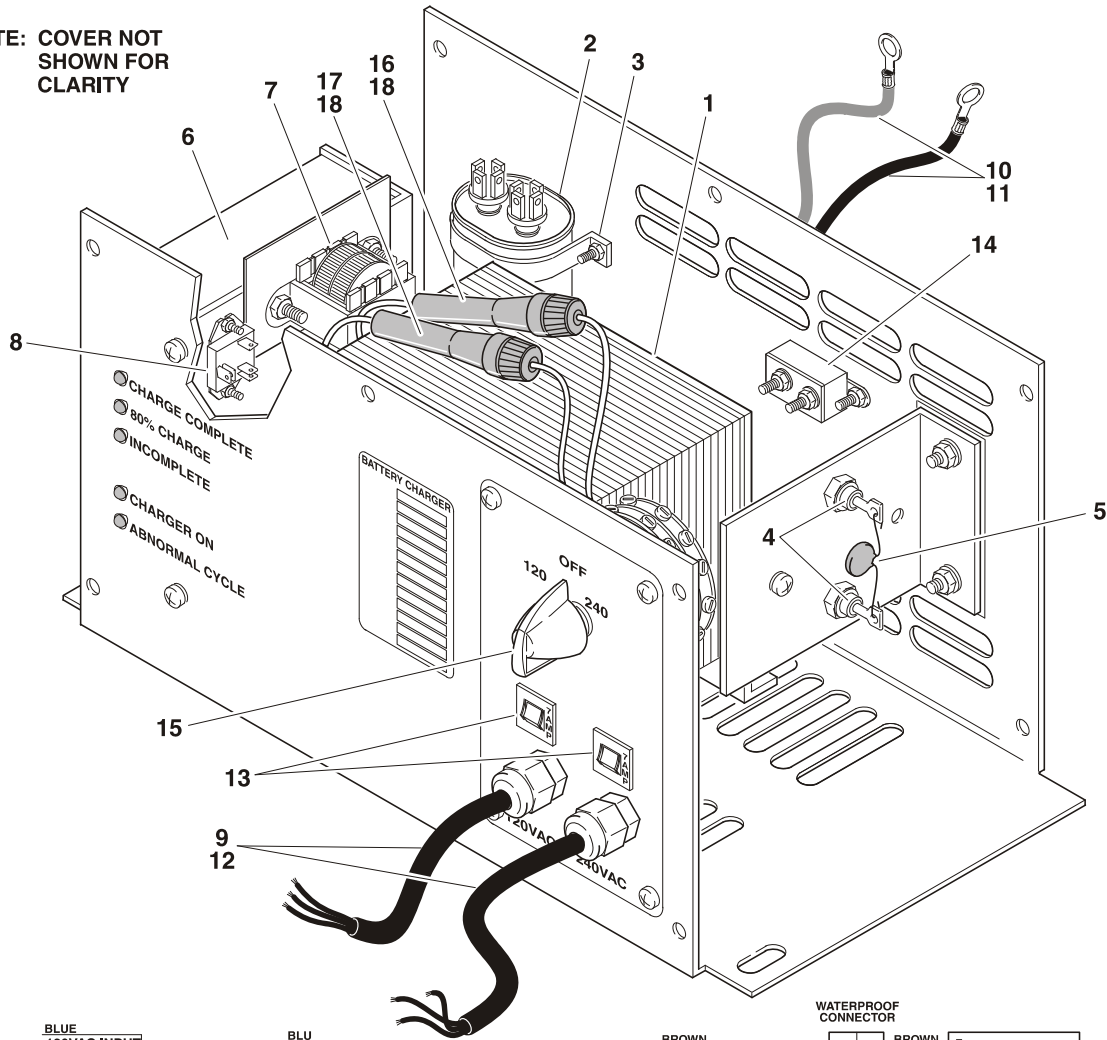
FIGURE 1-10. BATTERY CHARGER ASSEMBLIES - SINGLE VOLTAGE

FIG & ITEM #	PART NUMBER	DESCRIPTION	QTY.	REV.
		BATTERY CHARGER ASSEMBLIES - SINGLE VOLTAGE Note: Charger Serial Number Nameplate located on front of charger. First line is the charger spec and date code. Prior to Mid-February 1996 Example: BA515 (spec) AP (date code). First letter in the date code indicates month (A-January/B-February/C-March/etc. with exception of let-“I” which is not used). Second letter indicates year (S-T-1996). After Mid-February 1996 Example: BA515 (spec) 9631 (date code). First and second digits in the date code indicate year. Third and fourth digits indicate week of manufacture.	Ref.	
	0400148	BATTERY CHARGER ASSEMBLY - 60HZ/120V (AUSTRALIAN SPEC MACHINES)	Ref.	B
	0400145	BATTERY CHARGER ASSEMBLY - 50HZ/240V (EUROPEAN SINGLE VOLTAGE)	Ref.	B
1		Transformer Options:	1	
	7011658	60Hz/120V Charger		
	7018524	50Hz/240V Charger		
2		Capacitor Options:	1	
	7011543	60Hz/120V Charger		
	7011523	50Hz/240V Charger		
3	7011560	Strap, Capacitor	1	
4	7011576	Diode	2	
5		Varistor Options:	1	
	Not Available	60Hz/120V Charger		
	7011596	50Hz/240V Charger		
6	7018512	Board, Circuit	1	
	7018513	Harness - 8 Wire from PC Board	1	
7	7011551	Controller, Transformer	1	
8	7011517	Triac	1	
9	7011687	Cord, DC	1	
10	7018515	Cord, AC (50Hz/240V Charger Only)	1	
11	7018516	Relief, Strain (50Hz/240V Charger Only)	1	
12	7011528	Relief, Strain	1	
13	7018514	Breaker, Circuit - AC	1	
14	7011509	Breaker, Circuit - DC	1	
15	7011667	Socket, AC (60Hz/120V Charger Only)	1	
16	7011684	Relay, Interlock (60Hz/120V Charger Only)	1	
17	7018509	Cover, Case (Not Shown)	1	

SECTION 1 FRAME

FIGURE 1-11. BATTERY CHARGER ASSEMBLIES - DUAL VOLTAGE

NOTE: COVER NOT SHOWN FOR CLARITY



NOTE IN SOME CHARGERS THIS MAY BE A STANDARD CONNECTOR

SECTION 1 FRAME

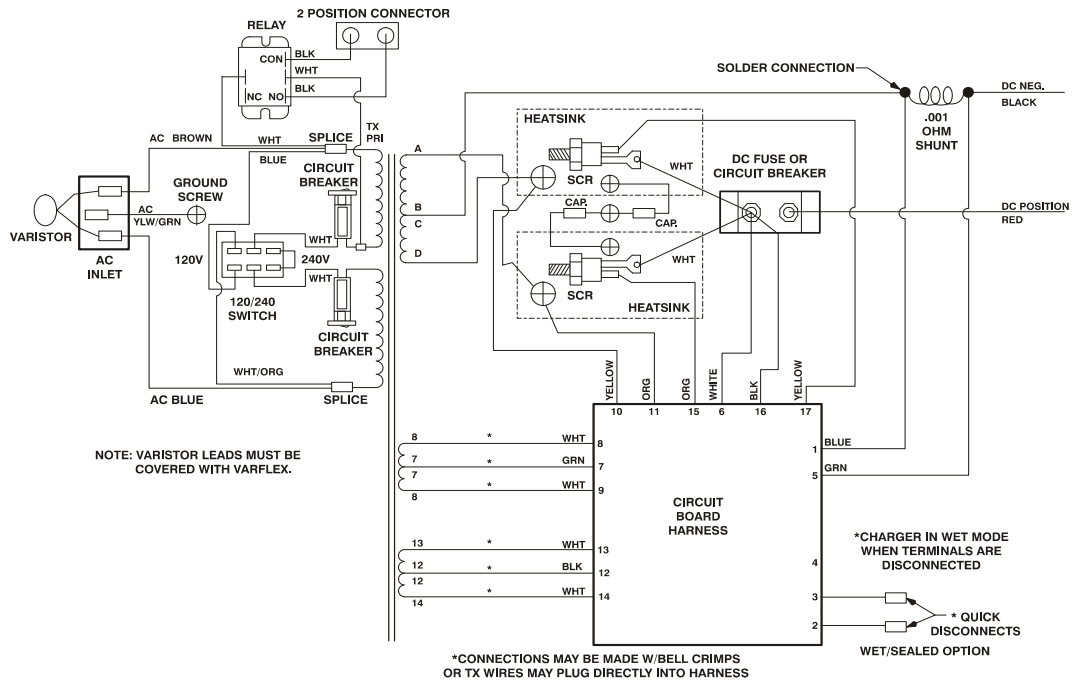
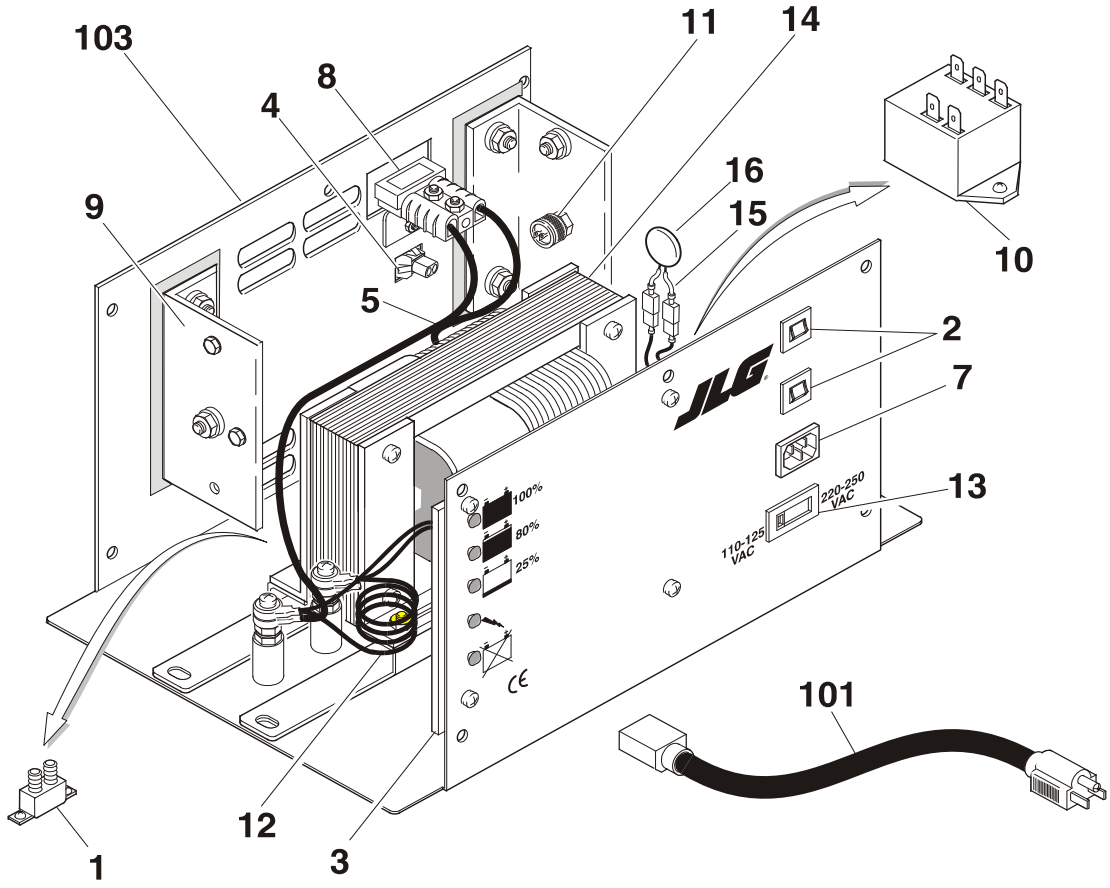
FIGURE 1-11. BATTERY CHARGER ASSEMBLIES - DUAL VOLTAGE

FIG & ITEM #	PART NUMBER	DESCRIPTION	QTY.	REV.
		BATTERY CHARGER ASSEMBLIES- DUAL VOLTAGE Note: Charger Serial Number Nameplate located on front of charger. First line is the charger spec and date code. Prior to Mid-February 1996 Example: BA515 (spec) AP (date code). First letter in the date code indicates month (A-January/B-February/C-March/etc. with exception of let-“I” which is not used). Second letter indicates year (S-T-1996). After Mid-February 1996 Example: BA515 (spec) 9631 (date code). First and second digits in the date code indicate year. Third and fourth digits indicate week of manufacture.	Ref.	
	0400146	BATTERY CHARGER ASSEMBLY - 50HZ/120V-240V (EUROPEAN DUAL VOLTAGE)	Ref.	B
1	7011681	Transformer	1	
2	7011523	Capacitor	1	
3	7011542	Strap, Capacitor	1	
4	7011576	Diode	2	
5	7018531	Varistor	1	
6	7018512	Board, Circuit	1	
	7018517	Harness - 8 Wire from PC Board	1	
7	7011551	Controller, Transformer	1	
8	7011517	Triac	1	
9	7018522	Cord, AC	2	
10	7011687	Cord, DC	1	
11	7011528	Relief, Strain - DC	1	
12	7018516	Relief, Strain - AC	2	
13	7018514	Breaker, Circuit - AC	1	
14	7011509	Breaker, Circuit - DC	1	
15	7018518	Switch, Rotary	1	
	7018592	Knob, Pointer	1	
16	7011513	Holder, Fuse (Black Wire Line)	1	
17	7018520	Holder, Fuse (Blue Wire Line)	1	
18	7018533	Fuse	2	
19	7018509	Cover, Case (Not Shown)	1	

SECTION 1 FRAME

FIGURE 1-12. BATTERY CHARGER ASSEMBLIES - REPLACEMENT KIT

NOTE: COVER NOT SHOWN FOR CLARITY



SECTION 1 FRAME

FIGURE 1-12. BATTERY CHARGER ASSEMBLIES - REPLACEMENT KIT

FIG & ITEM #	PART NUMBER	DESCRIPTION	QTY.	REV.
	0400178	BATTERY CHARGER ASSEMBLIES	Ref.	B
1	7011509	Breaker, Circuit - DC	1	
2	7018514	Breaker, Circuit - AC	2	
3	7018578	Board, Circuit	1	
4	7011621	Connector	1	
5	7020638	Cord -DC	1	
6	7018582	Harness (Not Shown)	1	
7	7018583	Plug, AC Inlet	1	
8	7011590	Plug, DC	1	
9	7018585	Rectifier Assembly	2	
10	7018564	Relay	1	
11	7018555	SCR	1	
12	7020605	Shunt Assembly	1	
13	7018586	Switch	1	
14	7020639	Transformer	1	
15	7018589	Varistor Assembly	1	
16	7018537	Varistor	1	
17	7020637	Cover, Case (Not Shown)	1	
		BATTERY CHARGER KITS	Ref.	
	2901844	Euro Spec	Ref.	1
	2901847	Australian Spec	Ref.	1
101		Cable, AC Cord Options:	1	
	1060689	Euro Spec		
	1060691	Australian Spec		
102	4922233	Harness (Not Shown)	1	
103	0400178	Battery Charger Assembly (See Items 1-16 for Breakdown)	1	

SECTION 1 FRAME

**S
E
C
T
I
O
N

1

F
R
A
M
E**

FIGURE 1-12. BATTERY CHARGER ASSEMBLIES - REPLACEMENT KIT

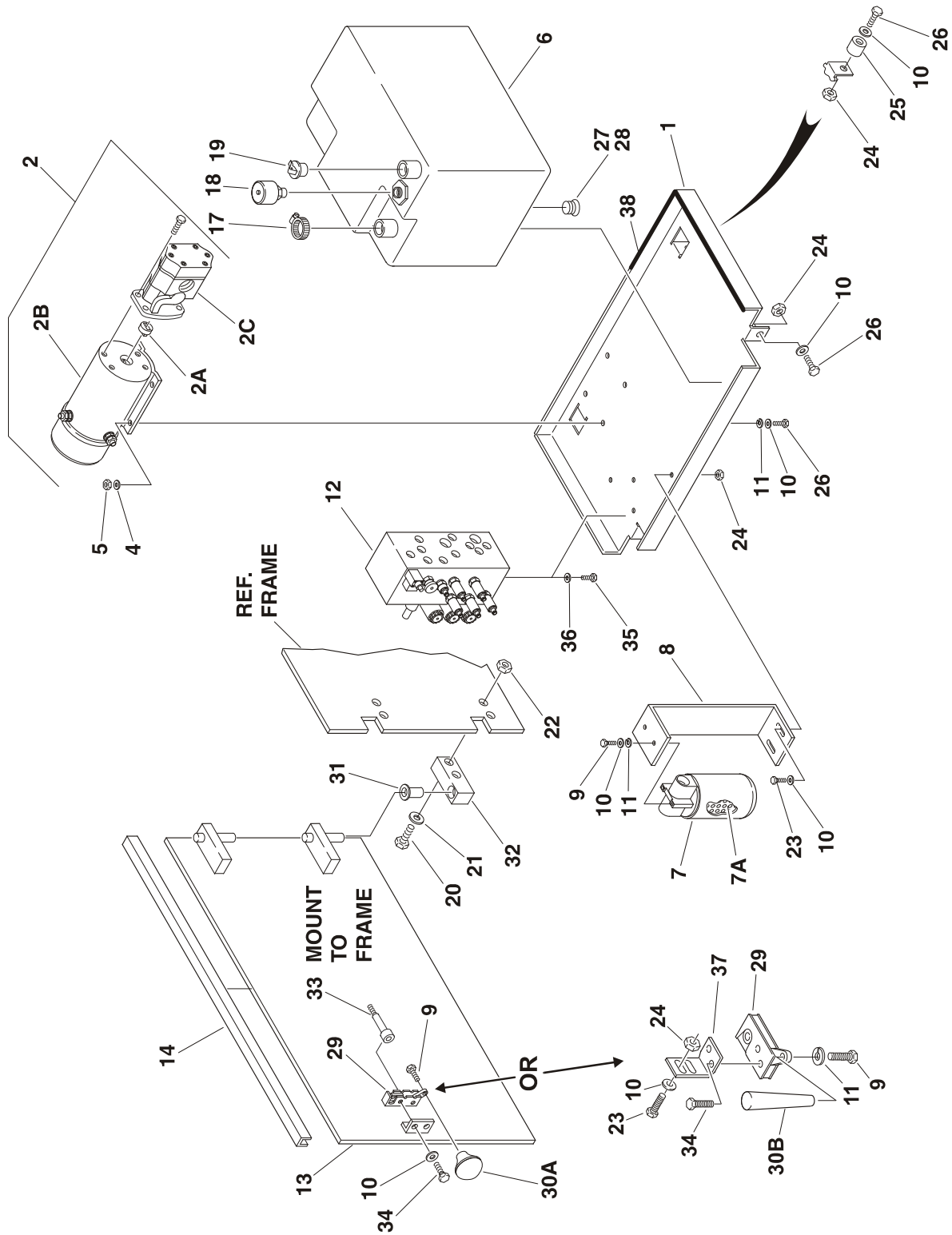
FIG & ITEM #	PART NUMBER	DESCRIPTION	QTY.	REV.

SECTION 2 GROUND COMPONENTS

TABLE OF CONTENTS		
FIGURE	DESCRIPTION	PAGE
2-1	HYDRAULIC COMPONENTS AND COVERS INSTALLATION - 1532E/1932E (POWER DOWN MACHINES)	2-2
2-2	HYDRAULIC COMPONENTS AND COVERS INSTALLATION - 1532E/1932E (GRAVITY DOWN MACHINES)	2-4
2-3	HYDRAULIC COMPONENTS AND COVERS INSTALLATION - 2033E/2046E/2646E/2658E (POWER DOWN MACHINES)	2-6
2-4	HYDRAULIC COMPONENTS AND COVERS INSTALLATION - 2033E/2046E/2646E/2658E (GRAVITY DOWN MACHINES)	2-10
2-5	VALVE ASSEMBLY	2-14
2-6	ELECTRICAL COMPONENTS INSTALLATIONS (AT GROUND CONTROLS)	2-18
2-7	BATTERY INSTALLATIONS	2-22

SECTION 2 GROUND COMPONENTS

FIGURE 2-1. HYDRAULIC COMPONENTS AND COVER INSTALLATION - 1532E/1932E (POWER DOWN MACHINES)



SECTION 2 GROUND COMPONENTS

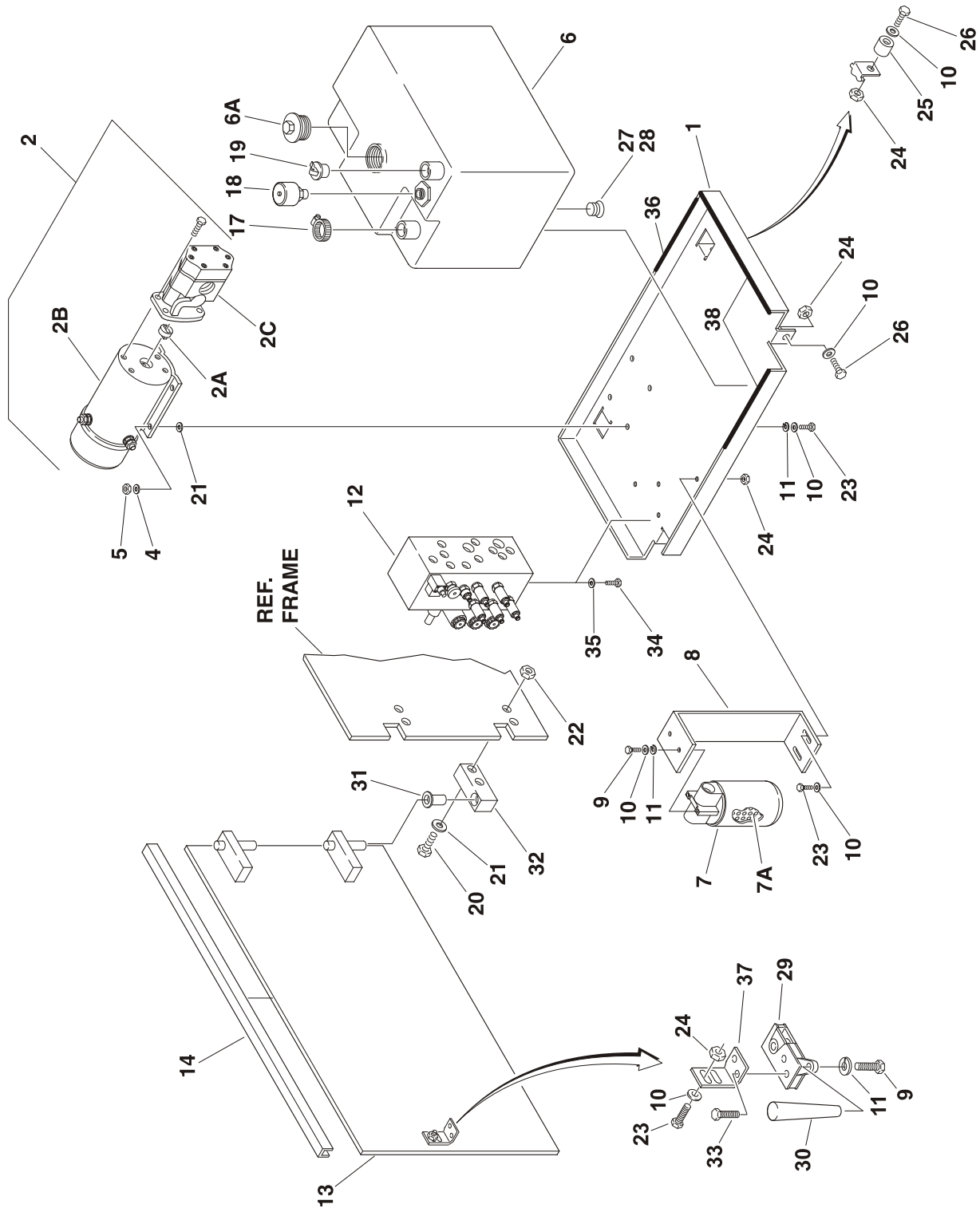
FIGURE 2-1. HYDRAULIC COMPONENTS AND COVER INSTALLATION - 1532E/1932E (POWER DOWN MACHINES)

FIG & ITEM #	PART NUMBER	DESCRIPTION	QTY.	REV.
		Note: To determine Power or Gravity Down refer to page A.		
	0255893	HYDRAULIC COMPONENTS INSTALLATION (STD)	Ref.	H
1		Tray Weldment Options:	1	
	4845271	Prior to S/N 24267		
	4845365	S/N 24267 to Present		
2	3600219	Pump/Motor Assembly	1	C
2A	7013711	Coupling	1	
2B	7016742	Motor	1	
	Use 7016781	Brush Kit (W/Prestolite Motor) (was p/n 7016748)	1	
	7016706	Brush Kit (W/Ohio Motor)	1	
2C	7016703	Pump	1	
	7016700	Seal, Shaft	1	
3	Not Used			
4	4711600	Flatwasher 3/8"	4	
5	3311605	Locknut 3/8"-16NC	4	
6	4400388	Tank, Hydraulic	1	
7	2120105	Filter Assembly	1	
7A	2120072	Element, Filter	1	
8	0902221	Bracket	1	
9	0641405	Bolt 1/4"-20NC x 5/8"	4	
10	4711400	Flatwasher 1/4"	16	
11	4761400	Lockwasher 1/4"	3	
12	4640951	Valve Assembly (See Figure 2-5 for Breakdown)	1	
13	1780291	Door Weldment	1	
14	3960389	Seal	34in/86cm	
15 to 16	Not Used			
17	1320033	Clamp, Hose	2	
18	1340052	Breather	1	
19	3520077	Plug, Quick Snap	1	
20	0641816	Bolt 1/2"-13NC x 2"	4	
21	4751800	Flatwasher 1/2"	8	
22	3311805	Locknut 1/2"-13NC	4	
23	0641408	Bolt 1/4"-20NC x 1"	A/R	
24	3311405	Locknut 1/4"	8	
25	4566849	Spacer	2	
26	0641412	Bolt 1/4"-20NC x 1-1/2"	4	
27	2200233	Plug, Drain	1	
28	0100020	Sealant	A/R	
29	2940098	Latch	1	
30A	2560140	Knob (Prior to S/N 27620)	1	
30B	2560137	Knob (S/N 27620 to Present)	1	
31	0962004	Bushing, Flanged Bronze	2	
32	0362566	Bar, Hinge	2	
33	2940099	Striker (Prior to S/N 27620 Only)	1	
34	0641406	Bolt 1/4"-20NC x 3/4"	2	
35	0641506	Bolt 5/16"-18NC x 3/4"	3	
36	4711500	Flatwasher 5/16" Narrow	3	
37	0902365	Bracket, Latch Mounting (S/N 27620 to Present Only)	1	
38	4420038	Weatherstrip	1ft/31cm	

SECTION 2 GROUND COMPONENTS

SECTION 2 GROUND COMPONENTS

FIGURE 2-2. HYDRAULIC COMPONENTS AND COVERS INSTALLATION - 1532E/1932E (GRAVITY DOWN MACHINES)



SECTION 2 GROUND COMPONENTS

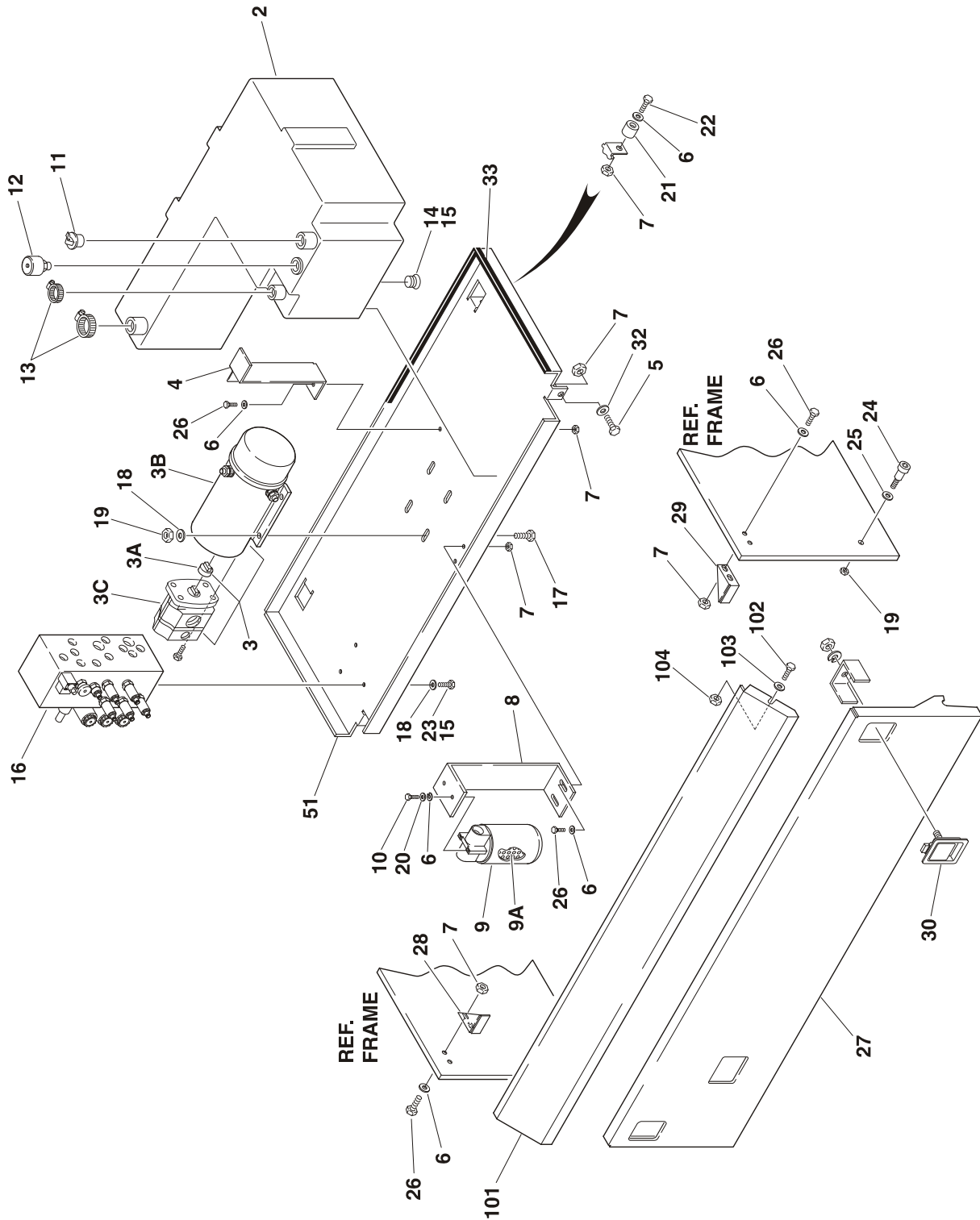
FIGURE 2-2. HYDRAULIC COMPONENTS AND COVERS INSTALLATION - 1532E/1932E (GRAVITY DOWN MACHINES)

FIG & ITEM #	PART NUMBER	DESCRIPTION	QTY.	REV.
		Note: To determine Power or Gravity Down refer to page A.		
	0257208	HYDRAULIC COMPONENTS INSTALLATION (STD)	Ref.	4/B
1	4845365	Tray Weldment	1	
2	3600266	Pump/Motor Assembly	1	B
2A	7013711	Coupling	1	
2B	7016742	Motor	1	
	Use 7016781	Brush Kit (was p/n 7016748)	1	
2C	7016743	Pump	1	
	Not Available	Seal, Shaft	1	
	7016746	Plate, Adapter	1	
	7016747	Gasket (Between Pump and Adapter)	1	
3	Not Used			
4	4711500	Flatwasher 5/16" Narrow	4	
5	3311505	Locknut 5/16"-18NC	4	
6	4400388	Tank, Hydraulic	1	
6A	1120491	Cap with O-Ring (S/N 38283 to Present) (was p/n 7020063 without O-Ring)	1	
7	2120105	Filter Assembly	1	
7A	2120072	Element, Filter	1	
8	0902221	Bracket	1	
9	0641405	Bolt 1/4"-20NC x 5/8"	4	
10	4711400	Flatwasher 1/4" Narrow	16	
11	4761400	Lockwasher 1/4"	3	
12		Valve Assembly Options (See Figure 2-5 for Breakdown):	1	
	4641004	Prior to S/N 41086		
	4641021	S/N 41086 to Present		
13	1780291	Door Weldment	1	
14	3960389	Seal	34in/86cm	
15 to 16	Not Used			
17	1320033	Clamp, Hose	2	
18	1340052	Breather	1	
19	3520077	Plug, Quick Snap	1	
20	0641816	Bolt 1/2"-13NC x 2"	4	
21	4751800	Flatwasher 1/2"	12	
22	3311805	Locknut 1/2"-13NC	4	
23	0641408	Bolt 1/4"-20NC x 1"	A/R	
24	3311405	Locknut 1/4"	8	
25	4566849	Spacer	2	
26	0641412	Bolt 1/4"-20NC x 1-1/2"	4	
27	2200233	Plug, Drain	1	
28	0100020	Sealant	A/R	
29	2940098	Latch	1	
30	2560137	Knob	1	
31	0962004	Bushing, Flanged Bronze	2	
32	0362566	Bar, Hinge	2	
33	0641406	Bolt 1/4"-20NC x 3/4"	2	
34	0641506	Bolt 5/16"-18NC x 3/4"	3	
35	4711500	Flatwasher 5/16" Narrow	3	
36	4420038	Weatherstrip	1ft/30.5cm	
37	0902365	Bracket, Latch Mounting	1	
38	4420037	Weatherstrip (U/L Machines Only)	2.25ft/68.5cm	

SECTION 2 GROUND COMPONENTS

SECTION 2 GROUND COMPONENTS

FIGURE 2-3. HYDRAULIC COMPONENTS AND COVERS INSTALLATION - 2033E/2046E/2646E/2658E (POWER DOWN MACHINES)



SECTION 2 GROUND COMPONENTS

FIGURE 2-3. HYDRAULIC COMPONENTS AND COVERS INSTALLATION - 2033E/2046E/2646E/2658E (POWER DOWN MACHINES)

FIG & ITEM #	PART NUMBER	DESCRIPTION	QTY.	REV.
		Note: To determine Power or Gravity Down refer to page A.		
		HYDRAULIC COMPONENTS INSTALLATION (STANDARD PARTS)	Ref.	
1	Not Used			
2		Hydraulic Tank Options:	1	
	4400378	Prior to S/N 21507		
	4400394	S/N 21507 to Present		
3	3600219	Pump/Motor Assembly	1	
3A	7013711	Coupling	1	
3B	7016742	Motor	1	
	Use 7016781	Brush Kit (W/Prestolite Motor) (was p/n 7016748)	1	
	7016706	Brush Kit (W/Ohio Motor)	1	
3C	7016703	Pump	1	
	7016700	Seal, Shaft	1	
4	0902198	Bracket	1	
5	0641408	Bolt 1/4"-20NC x 1"	2	
6	4711400	Flatwasher 1/4"	20	
7	3311405	Locknut 1/4"-2NC	11	
8	0902137	Bracket, Filter	1	
9	2120105	Filter	1	
9A	2120072	Element, Filter	1	
10	0641405	Bolt - 1/4"-20NC x 5/8"	2	
11	3520077	Plug, Quick Snap	1	
12	1340052	Breather	1	
13	1320033	Clamp, Hose	2	
14	2200233	Plug, Drain	1	
15	0100020	Sealant	A/R	
16	4640951	Valve Assembly (See Figure 2-5 for Breakdown)	1	
17	0641506	Bolt 5/16"-18NC x 1"	4	
18	4711500	Flatwasher - 5/16" Narrow	11	
19	3311505	Locknut 5/16"-18NC	6	
20	4761400	Lockwasher 1/4"	2	
21	4566849	Spacer	2	
22	0641412	Bolt 1/4"-20NC x 1 1/2"	2	
23	0641506	Bolt 5/16"-18NC x 3/4"	3	
24	2940099	Striker, Latch	2	
25	4751400	Flatwasher 1/4"	4	
26	0641406	Bolt 1/4"-20NC x 3/4"	7	
27	3539766	Plate, Valve Cover	1	
28	0181874	Angle, Latch Stop (Right Side)	1	
29	0181875	Angle, Latch Stop (Left Side)	1	
30	2940045	Latch, Paddle	2	
31	Not Used			
32	4751400	Flatwasher 1/4"	4	
33	4420038	Weatherstrip	2ft/61cm	

SECTION 2 GROUND COMPONENTS

SECTION 2 GROUND COMPONENTS

FIGURE 2-3. HYDRAULIC COMPONENTS AND COVERS INSTALLATION - 2033E/2046E/2646E/2658E (POWER DOWN MACHINES) (CONTINUED)

FIG & ITEM #	PART NUMBER	DESCRIPTION	QTY.	REV.
		Note: To determine Power or Gravity Down refer to page A.		
		HYDRAULIC COMPONENTS INSTALLATION (VARIABLE PARTS)	Ref.	
	0256420	2033E	Ref.	E
	0256422	2046E/2546E/2658E	Ref.	E
51		Tray Options:	1	
	4845311	2033E Prior to S/N 24267		
	4845366	2033E S/N 24267 to Present		
	3539239	2046E/2546E/2658E Prior to S/N 24267		
	3539875	2046E/2546E/2658E S/N 24267 to Present		
	0255938	SIDE COVERS INSTALLATION - 2033E	Ref.	4/D
	0255939	SIDE COVERS INSTALLATION - 2046E/2646E	Ref.	A
	0255940	SIDE COVERS INSTALLATION - 2658E	Ref.	A
101		Cover Options:	1	
	3539445	2033E (Prior to S/N 33224)		
	4060937	2033E (S/N 33224 to Present)		
	3539446	2046E/2646E		
	3539447	2658E		
102	0641408	Bolt, 1/4"-20NC x 1"	2	
103	4751400	Flatwasher - 1/4"	4	
104	3311405	Locknut - 1/4"-20NC	2	

SECTION 2 GROUND COMPONENTS

SECTION 2 GROUND COMPONENTS

FIGURE 2-3. HYDRAULIC COMPONENTS AND COVERS INSTALLATION - 2033E/2046E/2646E/2658E (POWER DOWN MACHINES) (CONTINUED)

FIG & ITEM #	PART NUMBER	DESCRIPTION	QTY.	REV.

**S
E
C
T
I
O
N

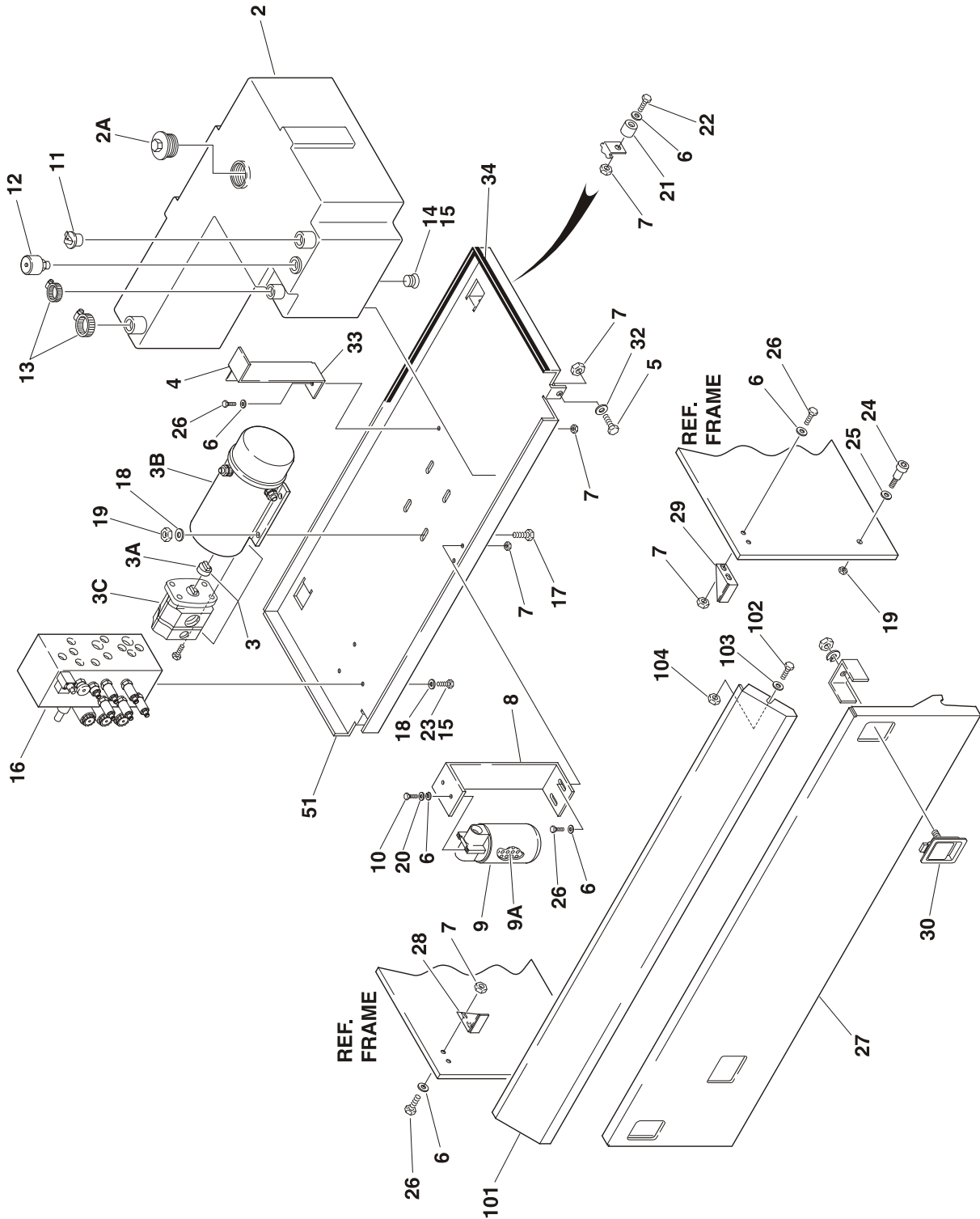
2

G
R
O
U
N
D

C
O
M
P
O
N
E
N
T
S**

SECTION 2 GROUND COMPONENTS

FIGURE 2-4. HYDRAULIC COMPONENTS AND COVERS INSTALLATION - 2033E/2046E/2646E/2658E (GRAVITY DOWN MACHINES)



SECTION 2 GROUND COMPONENTS

FIGURE 2-4. HYDRAULIC COMPONENTS AND COVERS INSTALLATION - 2033E/2046E/2646E/2658E (GRAVITY DOWN MACHINES)

FIG & ITEM #	PART NUMBER	DESCRIPTION	QTY.	REV.
		Note: To determine Power or Gravity Down refer to page A.		
		HYDRAULIC COMPONENTS INSTALLATION (STANDARD PARTS)	Ref.	
1	Not Used			
2	4400394	Hydraulic Tank Assembly	1	
2A	1120491	Cap with O-Ring (S/N 38283 to Present) (was p/n 7020063 without O-Ring)	1	
3	3600266	Pump/Motor Assembly (Standard Machines)	1	B
	3600269	Pump/Motor Assembly (Japanese Machines)	1	A
3A	7013711	Coupling	1	
3B	7016742	Motor	1	
	Use 7016781	Brush Kit (was p/n 7016748)	1	
3C	7016743	Pump	1	
	Not Available	Seal, Shaft	1	
	7016747	Gasket (Between Pump and Adapter)	1	
4	0902198	Bracket	1	
5	0641408	Bolt 1/4"-20NC x 1"	2	
6	4711400	Flatwasher 1/4"	20	
7	3311405	Locknut 1/4"-2NC	11	
8	0902137	Bracket, Filter	1	
9	2120105	Filter	1	
9A	2120072	Element, Filter	1	
10	0641405	Bolt - 1/4"-20NC x 5/8"	2	
11	3520077	Plug, Quick Snap	1	
12	1340052	Breather	1	
13	1320033	Clamp, Hose	2	
14	2200233	Plug, Drain	1	
15	0100020	Sealant	A/R	
16		Valve Assembly Options (See Figure 2-5 for Breakdown):	1	
	4641004	Prior to S/N 41086		
	4641021	S/N 41086 to Present		
17	0641506	Bolt 5/16"-18NC x 1"	4	
18	4711500	Flatwasher - 5/16" Narrow	11	
19	3311505	Locknut 5/16"-18NC	6	
20	4761400	Lockwasher 1/4"	2	
21	4566849	Spacer	2	
22	0641412	Bolt 1/4"-20NC x 1 1/2"	2	
23	0641506	Bolt 5/16"-18NC x 3/4"	3	
24	2940099	Striker, Latch	2	
25	4751400	Flatwasher 1/4"	4	
26	0641406	Bolt 1/4"-20NC x 3/4"	7	
27	3539766	Plate, Valve Cover	1	
28	0181874	Angle, Latch Stop (Right Side)	1	
29	0181875	Angle, Latch Stop (Left Side)	1	
30	2940045	Latch, Paddle	2	
31	Not Used			
32	4751400	Flatwasher 1/4"	4	
33	4420038	Weatherstrip	1ft/31cm	
34	4420037	Weatherstrip (S/N 38184 to Present)	38in/96cm	

SECTION 2 GROUND COMPONENTS

SECTION 2 GROUND COMPONENTS

SECTION 2 GROUND COMPONENTS

FIGURE 2-4. HYDRAULIC COMPONENTS AND COVERS INSTALLATION - 2033E/2046E/2646E/2658E (GRAVITY DOWN MACHINES) (CONTINUED)

FIG & ITEM #	PART NUMBER	DESCRIPTION	QTY.	REV.
		Note: To determine Power or Gravity Down refer to page A.		
		HYDRAULIC COMPONENTS INSTALLATION (VARIABLE PARTS)	Ref.	
	0257210	2033E (VARIABLE PARTS)	Ref.	4/B
	0257212	2046E/2546E/2658E	Ref.	4/B
51	4845366	Tray Weldment	1	
	4845366	2033E		
	4849875	2046E/2546E/2658E		
		SIDE COVERS INSTALLATION - 2033E	Ref.	
	0258182	2033E	Ref.	1/A
	0255939	2046E/2646E	Ref.	A
	0255940	2658E	Ref.	A
101		Cover Options:	1	
	4060937	2033E		
	3539446	2046E/2646E		
	3539447	2658E		
102		Hardware Options:	4	
	3941406	2033E (Screw, Self Tapping 1/4"-20 x 3/4")		
	0641408	2046E/2646E/2658E (Bolt 1/4"-20NC x 1")		
103	4751400	Flatwasher - 1/4"	A/R	
104	3311405	Locknut - 1/4"-20NC	A/R	

SECTION 2 GROUND COMPONENTS

FIGURE 2-4. HYDRAULIC COMPONENTS AND COVERS INSTALLATION - 2033E/2046E/2646E/2658E (GRAVITY DOWN MACHINES) (CONTINUED)

FIG & ITEM #	PART NUMBER	DESCRIPTION	QTY.	REV.

**S
E
C
T
I
O
N

2

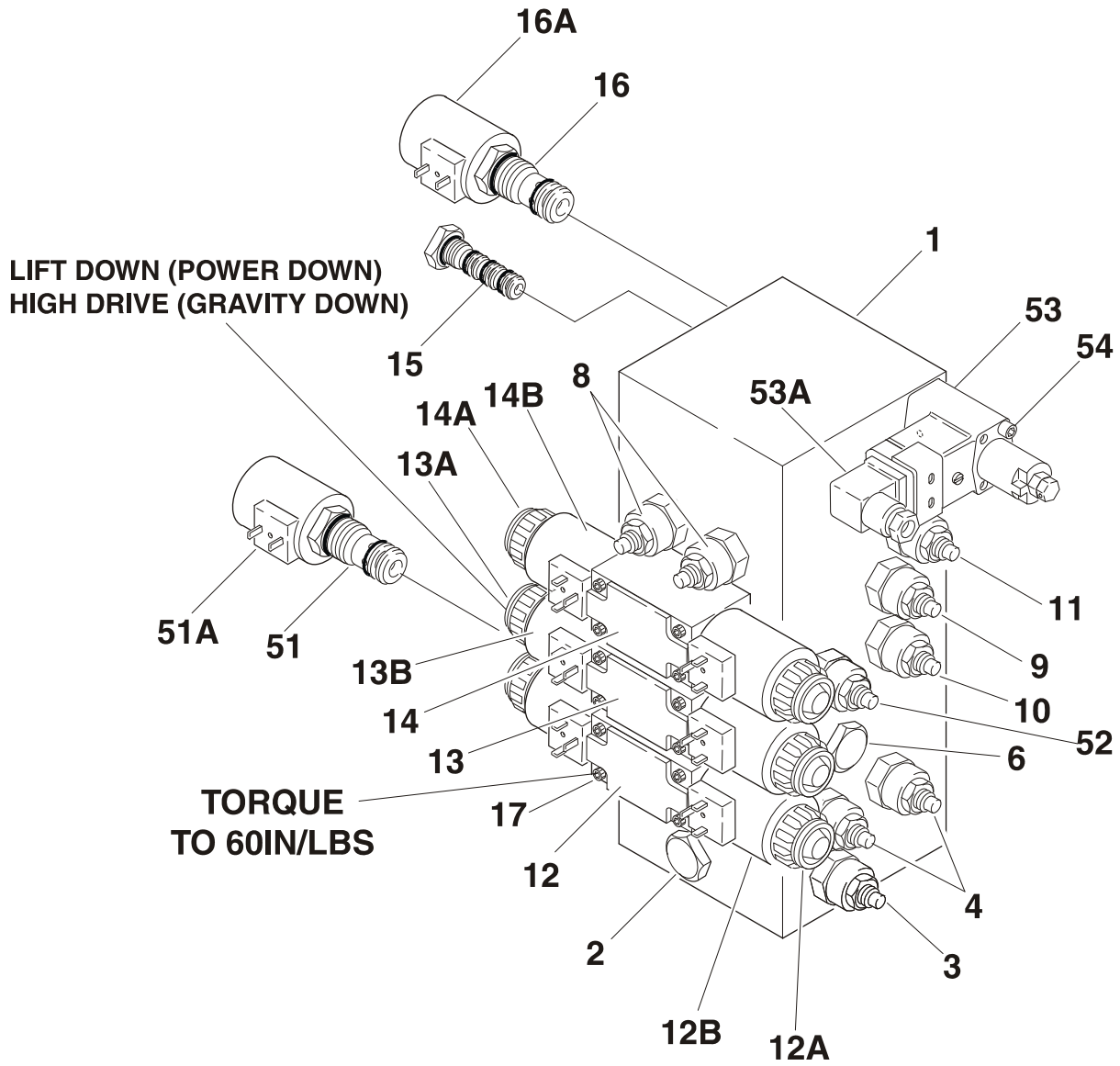
G
R
O
U
N
D

C
O
M
P
O
N
E
N
T
S**

SECTION 2 GROUND COMPONENTS

FIGURE 2-5. VALVE ASSEMBLY

SECTION 2 GROUND COMPONENTS



SECTION 2 GROUND COMPONENTS

FIGURE 2-5. VALVE ASSEMBLY

FIG & ITEM #	PART NUMBER	DESCRIPTION	QTY.	REV.
		Note: To determine Power or Gravity Down refer to page A.		
		VALVE ASSEMBLY (STANDARD PARTS)	Ref.	
1	Not Serviced	Block, Valve	1	
2	7018300	Cartridge, Valve (Shuttle)	1	
	7018301	Seal Kit - 7018300 Cartridge	1	
3	7018302	Cartridge, Valve (Main Relief)	1	
	7016351	Seal Kit - 7018302 Cartridge	1	
4	7018919	Cartridge, Valve (Steer Relief)	2	
	7016351	Seal Kit	2	
5	Not Used			
6	7018304	Cartridge, Valve (High Drive Check)	1	
	7016351	Seal Kit - 7018304 Cartridge	1	
7	Not Used			
8	7018305	Cartridge, Valve (Counterbalance)	2	
	7016337	Seal Kit - 7016338 Cartridge	2	
9	7018307	Cartridge, Valve (Brake)	1	
	7018308	Seal Kit - 7018307 Cartridge	1	
10	7018303	Cartridge, Valve (Lift Relief Up)	1	
	7016351	Seal Kit - 7018303 Cartridge	1	
11	7018312	Cartridge, Valve (Tow)	1	
	7018313	Seal Kit - 7018312 Cartridge	1	
12	7012793	Rexroth Valve Section (Steer)	1	
	7012773	Seal Kit	1	
12A	7018912	Nut	2	
12B	7018917	Coil	2	
13	7012794	Rexroth Valve Section - Lift Up/Lift Down (Power Down)	2	
		Rexroth Valve Section - Lift Up/High Drive (Gravity Down)	2	
	7012773	Seal Kit	1	
13A	7018912	Nut	2	
13B	7018917	Coil	2	
14	7012794	Rexroth Valve Section (Drive)	2	
	7012773	Seal Kit	1	
14A	7018912	Nut	2	
14B	7018917	Coil	2	
15	7018314	Cartridge, Valve (Flow Divider)	1	
	7018315	Seal Kit - 7018314 Cartridge	1	
16	7018309	Cartridge Without Coil (Posi-Trac)	1	
	7018310	Seal Kit - 7018309 Cartridge	1	
16A	7018311	Coil	1	
17	3931032	Capscrew, Socket Head #10-24NC x2"	12	
18	Not Used			
		VALVE ASSEMBLY (VARIABLE PARTS)	Ref.	
	4640951	Power Down Machines	Ref.	B
	4641004	Gravity Down Machines (Prior to S/N 41086)	Ref.	A
	4641021	Gravity Down Machines (S/N 41086 to Present)	Ref.	A
51		Cartridge, Without Coil (High Drive) Options:	A/R	
	7016348	Power Down Machines	1	
	7016349	Seal Kit - 7016348 Cartridge	1	
	Not Required	Gravity Down Machines	0	
51A		Coil Options:	A/R	
	7016352	Power Down Machines	1	
	Not Required	Gravity Down Machines	0	

SECTION 2 GROUND COMPONENTS

SECTION 2 GROUND COMPONENTS

SECTION 2 GROUND COMPONENTS

FIGURE 2-5. VALVE ASSEMBLY (CONTINUED)

FIG & ITEM #	PART NUMBER	DESCRIPTION	QTY.	REV.
52	7018920	Cartridge, Valve (Lift Relief Down) Options: Power Down Machines	A/R 1	
	7016351	Seal Kit - 7018920 Cartridge	1	
	Not Required	Gravity Down Machines	0	
53		Cartridge (Pressure Switch) Options:	A/R	
	7012792	Power Down Machines	1	
	7018918	O-Ring	1	
	7012792	Gravity Down Machines Prior to S/N 41086	1	
	7018918	O-Ring	1	
53A	Not Required	Gravity Down Machines S/N 41086 to Present	0	
		Connector, DIN Options:	A/R	
	4460449	Power Down Machines	1	
54	4460449	Gravity Down Machines Prior to S/N 41086	1	
	Not Required	Gravity Down Machines S/N 41086 to Present	0	
		Capscrew, Socket Head #8-32NC x 1 3/4"	A/R	
54	3930828	Power Down Machines	4	
	3930828	Gravity Down Machines Prior to S/N 41086	4	
	Not Required	Gravity Down Machines S/N 41086 to Present	0	

SECTION 2 GROUND COMPONENTS

FIGURE 2-5. VALVE ASSEMBLY (CONTINUED)

FIG & ITEM #	PART NUMBER	DESCRIPTION	QTY.	REV.

**S
E
C
T
I
O
N

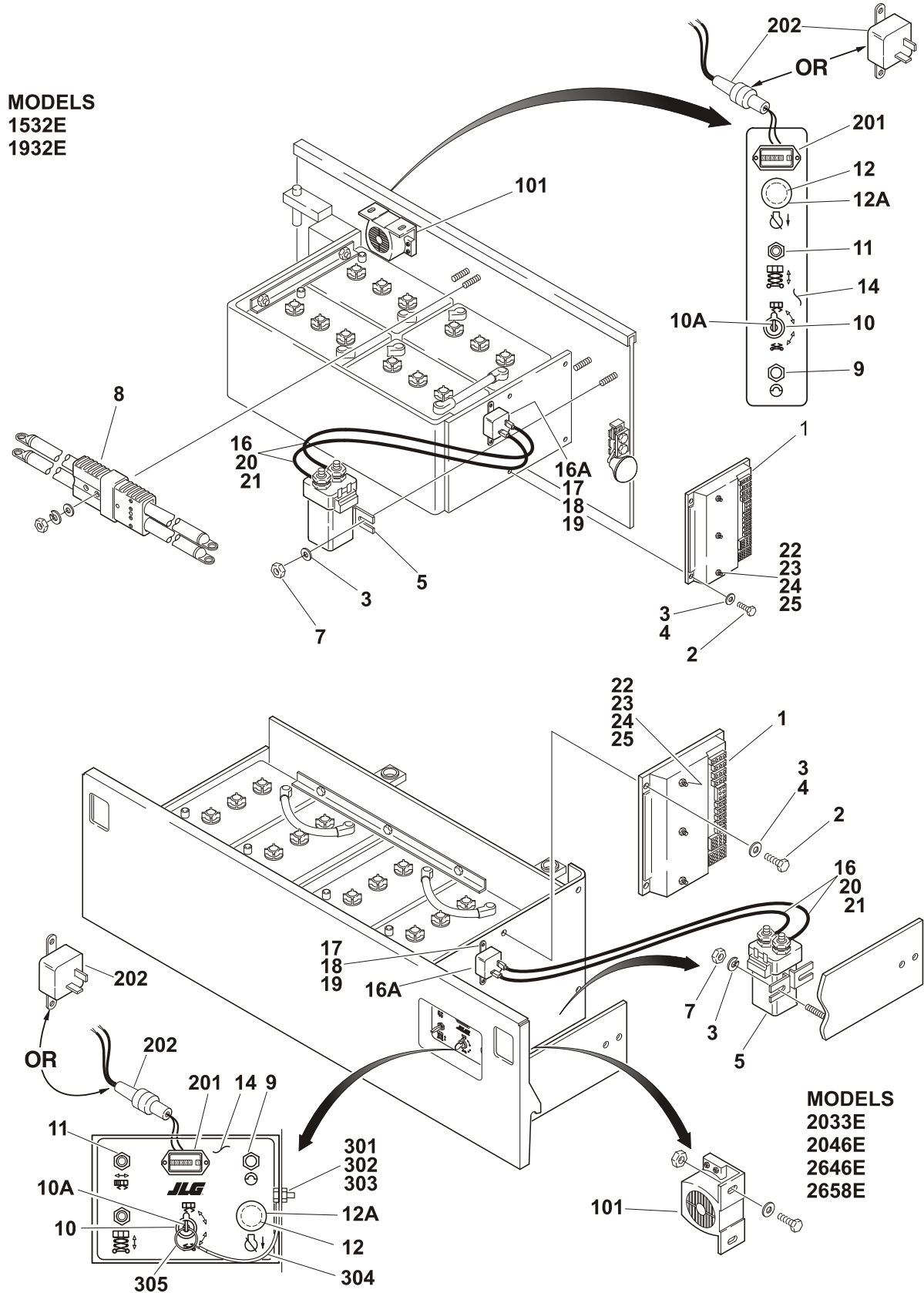
2

G
R
O
U
N
D

C
O
M
P
O
N
E
N
T
S**

SECTION 2 GROUND COMPONENTS

FIGURE 2-6. ELECTRICAL COMPONENTS INSTALLATIONS (AT GROUND CONTROLS)



SECTION 2 GROUND COMPONENTS

FIGURE 2-6. ELECTRICAL COMPONENTS INSTALLATIONS (AT GROUND CONTROLS)

FIG & ITEM #	PART NUMBER	DESCRIPTION	QTY.	REV.
		GROUND CONTROLS INSTALLATION		
	0256408	1532E/1932E Prior to S/N 49391	Ref.	10
	0258783	1532E/1932E S/N 49391 to Present	Ref.	1
	0256409	2033E/2046E/2646E/2658E Prior to S/N 49391	Ref.	9
	0258786	2033E/2046E/2646E/2658E S/N 49391 to Present	Ref.	1
1		Controller, SMART System TM Options:	1	
	1600233	Prior to S/N 29221		
	1600258	S/N 29221 to S/N 49391		
	1600286	S/N 49391 to Present		
		Note: When replaced, controller must be configured to appropriate model and options using analyzer kit p/n 2901443 or computer software kit p/n 2900874.		
2	0641406	Bolt 1/4"-20NC x 3/4"	4	
3	4751400	Flatwasher 1/4"	A/R	
4	0100020	Sealant	A/R	
5		Relay Options:	1	
	Use 3740130	Standard Machine Prior to S/N 30199 (was p/n 3740117)		
	Use 3740130	Standard Machine S/N 30199 to S/N 44433 (was p/n 3740120)		
	3740130	Standard Machine (S/N 44433 to Present)		
	3740117	Standard Machines without 1600286 Controller Operated in Cold Weather Regions		
6	Not Used			
7	3311405	Locknut 1/4"-20NC	A/R	
8		Cable Assembly Options:	1	
	1060606	1532E/1932E		
	4460618	Connector, Anderson	2	
	Not Required	2033E/2046E/2646E/2658E		
9	4360070	Breaker, Circuit	1	
10	4360433	Switch, Keyed Select	1	
	7019604	Switch Kit (Includes o-rings, boot and locking ring)	1	
10A	2860030	Key, Replacement	1	
11	4360328	Switch, Toggle	A/R	
12	4360395	Switch, Emergency Stop (Prior to S/N 44433)	1	
12A	7016315	Cap	1	
12	4360289	Switch, Emergency Stop (S/N 44433 to Present)	1	
12A	7012612	Boot	1	
13	Not Used			
14		Nameplate - Ground Controls Options:	1	
	3252479	1532E/1932E		
	3252478	2033E/2046E/2646E/2658E		
15	0100076	Silicone - 8lbs Pail (Not Shown-Spread on back of Item 1)	A/R	
	7016397	Silicone - 5oz Tube (Not Shown-Spread on back of Item 1)	A/R	
16	4921986	Harness, Relay (S/N 31685 to Present) (Power Down Machines)	1	
	4921990	Harness, Relay (Gravity Down Machines)	1	
16A	3740069	Relay (S/N 31685 to Present)	1	
17	3911008	Screw #10-24NC x 1" (S/N 31685 to Present)	1	
18	4751000	Flatwasher #10 (S/N 31685 to Present)	2	
19	3311005	Locknut #10-24NC (S/N 31685 to Present)	1	
20	4460259	Terminal (S/N 31685 to Present)	2	
21	4460260	Housing, Terminal (S/N 31685 to Present)	2	
22	4740479	Washer, Brass 1/4"	6	
23	4300133	Stud, Brass 1/4"	3	
24	4761400	Lockwasher 1/4"	3	
25	3311401	Nut 1/4"-20NC	3	

SECTION 2 GROUND COMPONENTS

SECTION 2 GROUND COMPONENTS

FIGURE 2-6. ELECTRICAL COMPONENTS INSTALLATIONS (AT GROUND CONTROLS)

FIG & ITEM #	PART NUMBER	DESCRIPTION	QTY.	REV.
		ALARM INSTALLATIONS	Ref.	
		PRIOR TO AUGUST 1996:		
	0256682	STANDARD ALARM - 1532E/1932E	Ref.	—
	0255951	STANDARD ALARM - 2033E/2046E/2646E/2658E	Ref.	C
		AUGUST 1996 TO PRESENT:		
	0256959	DESCENT ALARM - 1532E/1932E	Ref.	—
	0256960	MOTION ALARM - 1532E/1932E	Ref.	—
	0256964	TRAVEL ALARM - 1532E/1932E	Ref.	—
	0256961	DESCENT ALARM - 2033E/2046E/2646E/2658E	Ref.	—
	0256962	MOTION ALARM - 2033E/2046E/2646E/2658E	Ref.	—
	0256965	TRAVEL ALARM - 2033E/2046E/2646E/2658E	Ref.	—
101	0140033	Alarm (Remove Ground Strap Before Installation)	1	
	0641408	Bolt 1/4"-20NC x 1"	2	
	4711400	Flatwasher 1/4" Narrow	4	
	3311405	Locknut 1/4"-20NC	2	
	0256056	HOURMETER GAUGE INSTALLATION - 1532E/1932E	Ref.	4
	0256058	HOURMETER GAUGE INSTALLATION - 2033E/2046E/2646E/2658E	Ref.	5
201	2420165	Gauge, Hourmeter	1	
202	2420179	Filter, Hourmeter (Use in-line version in place of bolt-on version when equipped)	1	
	0256423	KEY ATTACH INSTALLATION (OPTIONAL)	Ref.	A
301	0641406	Bolt 1/4"-20NC x 3/4"	1	
302	4751400	Flatwasher 1/4"	2	
303	3311405	Locknut 1/4"-20NC	1	
304	1060379	Cable, Lanyard	1	
305	3760170	Ring	1	

SECTION 2 GROUND COMPONENTS

FIGURE 2-6. ELECTRICAL COMPONENTS INSTALLATIONS (AT GROUND CONTROLS)

FIG & ITEM #	PART NUMBER	DESCRIPTION	QTY.	REV.

**S
E
C
T
I
O
N

2

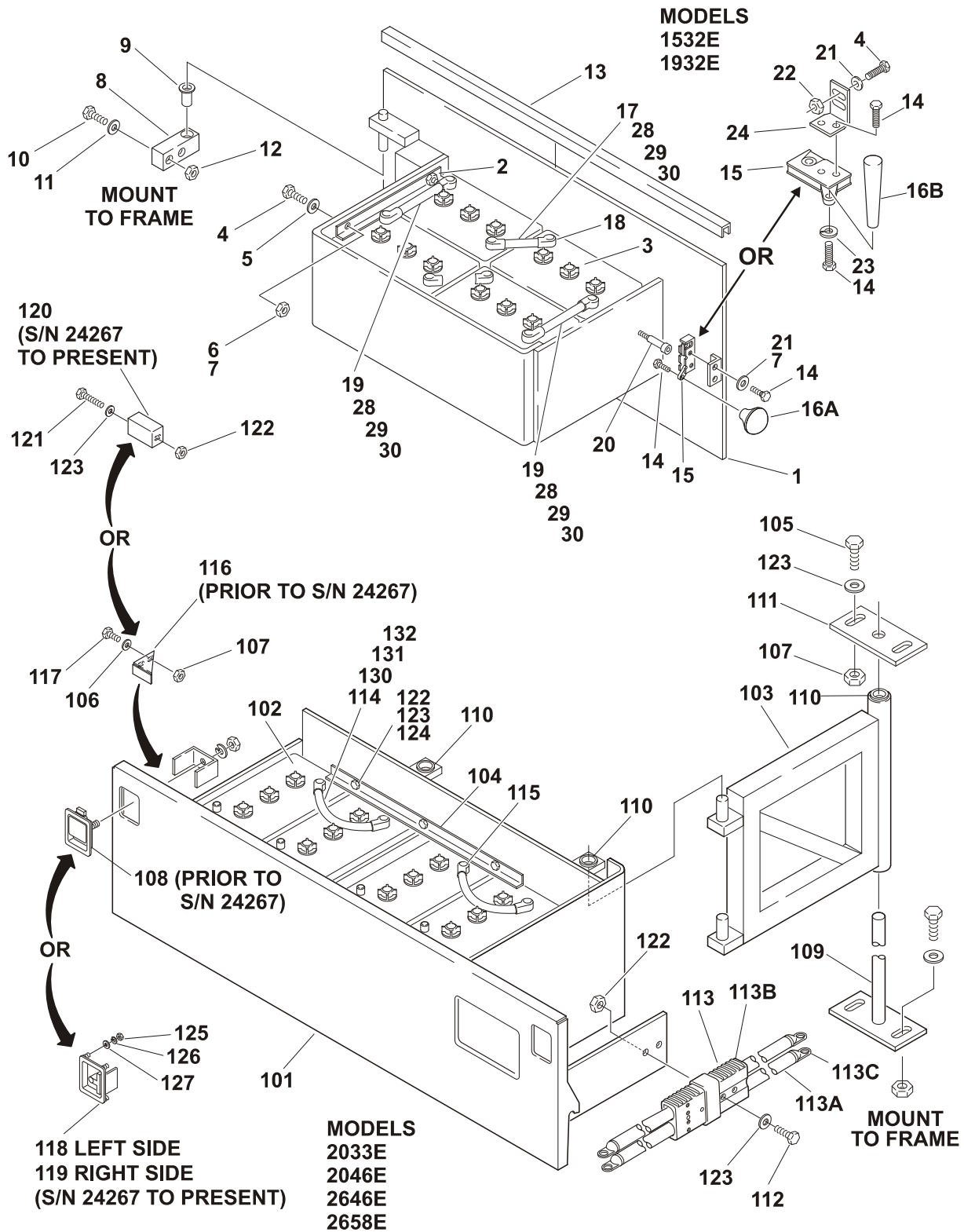
G
R
O
U
N
D

C
O
M
P
O
N
E
N
T
S**

SECTION 2 GROUND COMPONENTS

FIGURE 2-7. BATTERY INSTALLATIONS

SECTION 2 GROUND COMPONENTS



SECTION 2 GROUND COMPONENTS

FIGURE 2-7. BATTERY INSTALLATIONS

FIG & ITEM #	PART NUMBER	DESCRIPTION	QTY.	REV.
	0255891	BATTERY INSTALLATION - STD 1532E/1932E	Ref.	11
	0256921	BATTERY INSTALLATION - U/L 1532E/1932E	Ref.	5
1	1780290	Battery Door Weldment	1	
2	0181880	Angle, Mounting	2	
3	0400067	Battery (Wet) (Standard)	4	
	0400113	Battery (Dry) (Shipping Option)	4	
4	0641408	Bolt, 1/4"-20NC x 1"	6	
5	4751400	Flatwasher 1/4"	8	
6	3311401	Nut, 1/4"-20NC	4	
7	0100011	Loctite #242	A/R	
8	0362566	Bar, Hinge	2	
9	0962004	Bushing, Flanged Bronze	2	
10	0641816	Bolt, 1/2"-13NC x 2"	4	
1	4751800	Flatwasher 1/2"	8	
12	3311801	Nut, 1/2"-13NC	4	
13	3960389	Seal	34in/6cm	
14	0641406	Bolt, 1/4"-20NC x 3/4"	3	
15	2940098	Latch	1	
16A	2560140	Knob (Prior to S/N 27620)	1	
16B	2560137	Knob (S/N 27620 to Present)	1	
17	1060561	Cable - 12in/30.5cm	1	
18	0840031	Terminal Boot	8	
19	1060635	Cable - 9in/23cm	2	
20	2940099	Striker, Latch (Prior to S/N 27620)	1	
21	4711400	Flatwasher 1/4" Narrow	2	
22	3311405	Locknut 1/4"-20NC	4	
23	4761400	Lockwasher 1/4"	2	
24	0902365	Bracket, Latch Mounting	1	
25	2820088	Shield, Phenolic 10x20 (Not Shown - U/L Machines Only)	4	
26	2820084	Shield, Phenolic 10x8 (Not Shown - U/L Machines Only)	2	
27	4240084	Strap, Static (Not Shown - U/L Machines Only)	1	
28	3300429	Nut 5/16" (S/N 41458 to Present)	8	
29	4740474	Washer 5/16" (S/N 41458 to Present)	8	
30	0630526	Bolt 5/16"-18NC x 1 1/4" (S/N 41458 to Present)	8	
	0256421	BATTERY INSTALLATION - STD 2033E/2046E/2646E/2658E	Ref.	10
	0256850	BATTERY INSTALLATION - U/L 2033E/2658E	Ref.	5
	0257437	BATTERY INSTALLATION - U/L 2046E/2646E	Ref.	3
101	4845326	Battery Door Weldment	1	
102	0400151	Battery (Wet) (Standard)	4	
	Not Available	Battery (Dry) (Shipping Option)	4	
	0400067	Battery (Wet) (Standard) (UL Machines Only)	4	
	0400113	Battery (Dry) (Shipping Option - UL Machines Only)	4	
103	4845129	Hinge	2	
104	0181622	Angle, Battery Holddown	1	
105	0791608	Bolt 3/8"-16NC x 1"	8	
106	4240084	Strap, Static (Not Shown - U/L Machines Only)	1	
107	3311608	Locknut, Flanged 3/8"-16NC	8	
108	2940045	Latch, Paddle (Prior to S/N 24267)	2	
109	4845130	Hinge	2	
110	0962004	Bushing, Flanged Bronze	8	
111	3538844	Plate	2	
112	0641414	Bolt 1/4"-20NC x 1 3/4"	2	

SECTION 2 GROUND COMPONENTS

SECTION 2 GROUND COMPONENTS

FIGURE 2-7. BATTERY INSTALLATIONS (CONTINUED)

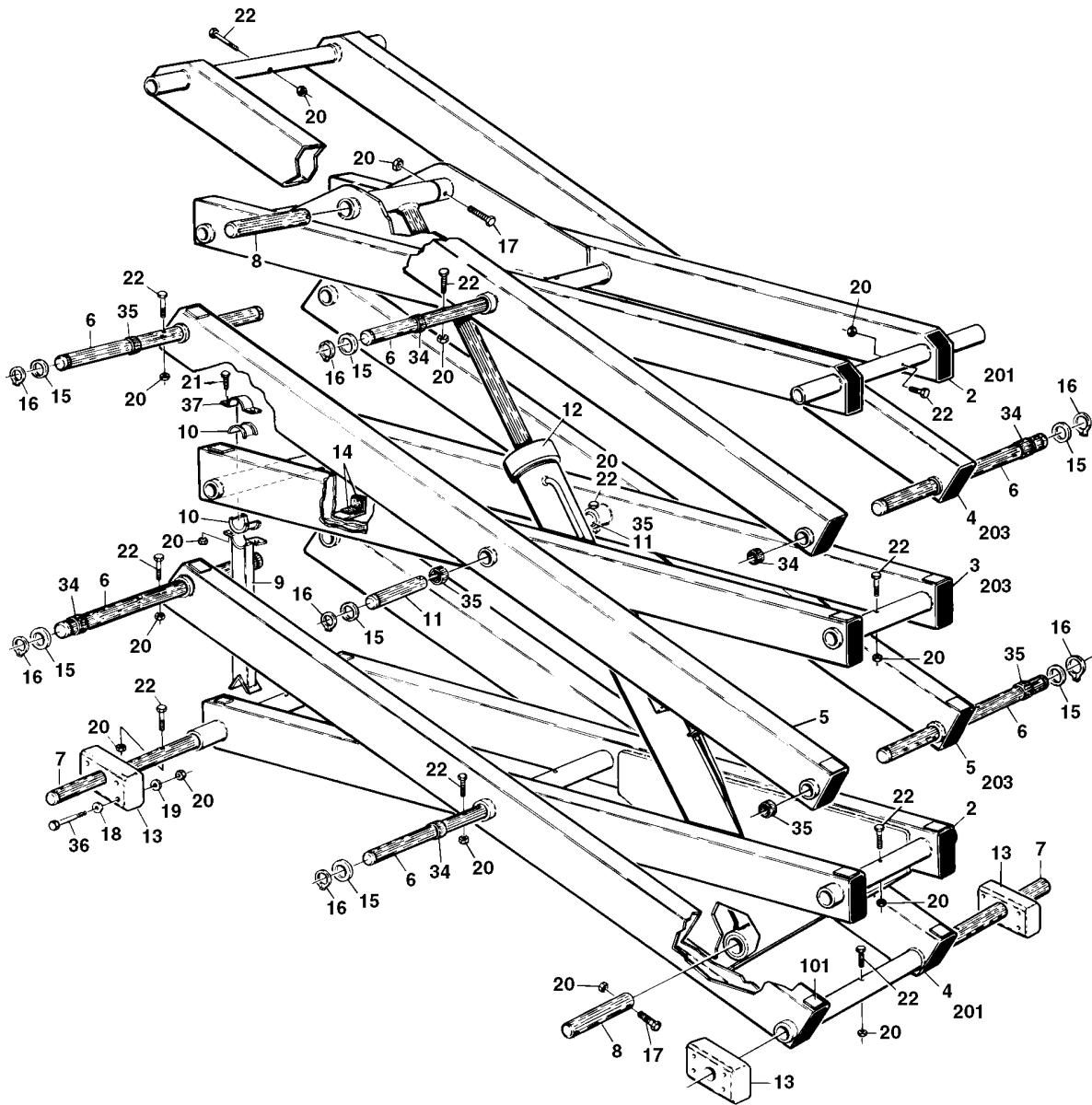
FIG & ITEM #	PART NUMBER	DESCRIPTION	QTY.	REV.
113	1060605	Cable, Battery	1	
113A	1060048	Cable	9ft/2.74m	
113B	4460618	Connector, Anderson	2	
113C	4460022	Terminal Eyelet	4	
114	1060635	Cable, Battery	3	
115	0840031	Boot, Terminal	8	
116	0181874	Angle, Latch Stop (Left Side) (Prior to S/N 24267)	1	
	0181875	Angle, Latch Stop (Right Side) (Prior to S/N 24267)	1	
117	0641406	Bolt 1/4"-20NC x 3/4" (Prior to S/N 24267)	4	
118	2940100	Latch, "T"-Handle (Left Side) (S/N 24267 to Present)	1	
119	2940101	Latch, "T"-Handle (Right Side) (S/N 24267 to Present)	1	
120	4220166	Stop, Door (S/N 24267 to Present)	1	
121	0641424	Bolt 1/4"-20NC x 3"	1	
122	3271405	Locknut 1/4"-20NC (Grade 8)	6	
123	4711400	Flatwasher 1/4" Narrow	14	
124	0641408	Bolt 1/4"-20NC x 1"	3	
125	3311001	Nut #10-24NC	8	
126	4751000	Flatwasher #10	8	
127	4761000	Lockwasher #10	8	
128	2820084	Shield, Phenolic 10"x8" (Not Shown - U/L Machines Only)	10	
129	2820087	Shield, Phenolic 10"x30" (Not Shown - U/L 2033E/2658E Machines Only)	1	
	2820094	Shield, Phenolic 3 1/2"x30" (Not Shown - U/L 2046E/2646E Machines Only)	1	
	2820095	Shield, Phenolic 4 1/2"x30" (Not Shown - U/L 2046E/2646E Machines Only)	1	
130	3300429	Nut 5/16" (S/N 41458 to Present)	8	
131	4740474	Washer 5/16" (S/N 41458 to Present)	8	
132	0630526	Bolt 5/16"-18NC x 1 1/4" (S/N 41458 to Present)	8	

SECTION 3 SCISSOR ARMS

TABLE OF CONTENTS		
FIGURE	DESCRIPTION	PAGE
3-1	SCISSOR ARMS INSTALLATION - 1532E (POWER DOWN MACHINES)	3-2
3-2	SCISSOR ARMS INSTALLATION - 1532E (GRAVITY DOWN MACHINES)	3-6
3-3	SCISSOR ARMS INSTALLATION - 1932E (POWER DOWN MACHINES)	3-10
3-4	SCISSOR ARMS INSTALLATION - 1932E (GRAVITY DOWN MACHINES)	3-14
3-5	SCISSOR ARMS INSTALLATION - 2033E/2046E (POWER DOWN MACHINES).....	3-18
3-6	SCISSOR ARMS INSTALLATION - 2033E/2046E (GRAVITY DOWN MACHINES).....	3-22
3-7	SCISSOR ARMS INSTALLATION - 2646E/2658E (POWER DOWN MACHINES).....	3-26
3-8	SCISSOR ARMS INSTALLATION - 2646E/2658E (GRAVITY DOWN MACHINES).....	3-30
3-9	ARM GUARDS INSTALLATION - 1532E/1932E PRIOR TO S/N 30542.....	3-34
3-10	ARM GUARDS INSTALLATION - 2033E/2046E/2646E BUILT PRIOR TO S/N 30542 & ALL 2658E BUILT PRIOR TO S/N 51216	3-36
3-11	ARM GUARDS INSTALLATION - ALL 2658E BUILT S/N 51216 TO PRESENT.....	3-38
3-12	PLATFORM DESCENT DELAY SYSTEM INSTALLATION - 1532E/1932E/2033E/2046E/2646E BUILT S/N 30542 TO PRESENT	3-42

SECTION 3 SCISSOR ARMS

FIGURE 3-1. SCISSOR ARMS INSTALLATION - 1532E
(POWER DOWN MACHINES)



SECTION 3 SCISSOR ARMS

SECTION 3 SCISSOR ARMS

FIGURE 3-1. SCISSOR ARMS INSTALLATION - 1532E (POWER DOWN MACHINES)

FIG & ITEM #	PART NUMBER	DESCRIPTION	QTY.	REV.
	0255697	Note: To determine Power or Gravity Down refer to page A. SCISSOR ARMS INSTALLATION - 1532E (POWER DOWN MACHINES)	Ref.	9/J
1	Not Used			
2	0200538	Arm Weldment (Top and Bottom Inboard)	2	
3	0200539	Arm Weldment (Mid Inboard)	1	
4	0200540	Arm Weldment (Top and Bottom Outboard)	2	
5	0200541	Arm Weldment (Mid Outboard)	2	
6	3422494	Pin	6	
7	3422495	Pin	2	
8	3422496	Pin	2	
9	4845040	Prop, Safety (Prior to S/N 28355)	1	
	4845431	Prop, Safety (S/N 28355 to Present)	1	
10	0962015	Bushing, Split (Prior to S/N 28355)	1	
	4240125	Bushing, Split (S/N 28355 to Present)	1	
11	3422488	Pin	2	
12		Lift Cylinder Assembly (See Section 5 for Breakdown)	1	
	1683377	Prior to S/N27181		
	1683475	S/N27181 to Present		
13	3340784	Pad, Slide Block (Prior to S/N 29539)	4	
	3340629	Pad, Slide Block (S/N 29539 to Present)	4	
14	3340645	Pad, Polyurethane	3	
15	4740438	Washer, Special	14	
16	3760387	Ring, Retaining	14	
17	0641522	Bolt 5/16"-18NC x 2 3/4"	2	
18	4711500	Flatwasher 5/16" Narrow	8	
19	4751500	Flatwasher 5/16" Regular	8	
20	3311505	Locknut 5/16"-18NC	24	
21	0641508	Bolt 5/16"-18NC x 1"	2	
22	0641520	Bolt 5/16"-18NC x 2 1/2"	12	
23 to 33	Not Used			
34	0962010	Bushing, Garmax (4 Per Weldment)	8	
35	0962010	Bushing, Garmax (3 Per Weldment)	6	
36	0641524	Bolt 5/16"-18NC x 3"	8	
37	4240114	Strap (Prior to S/N 28355)	1	
	4240128	Strap (S/N 28355 to Present)	1	
	2901366	----- Arm Kit - 1532E (Includes Items 2-5 & 9)	1	A
	0252586	ARM PADS INSTALLATION	Ref.	-
101	3340645	Pad	16	
	0256386	ARM CAPS INSTALLATION	Ref.	-
201	1120480	Cap	8	
202	Not Used			
203	1120479	Cap	16	

SECTION 3 SCISSOR ARMS

SECTION 3 SCISSOR ARMS

FIGURE 3-1. SCISSOR ARMS INSTALLATION - 1532E (POWER DOWN MACHINES) (CONTINUED)

FIG & ITEM #	PART NUMBER	DESCRIPTION	QTY.	REV.
		Note: To determine Power or Gravity Down refer to page A.		
	0256527	CABLE/HOSE CLAMPS INSTALLATION (NOT SHOWN)	Ref.	5/E
	1320224	Clamp, Loop 5/8"	10	
	3941406	Screw, Self-Tapping 1/4" x 3/4"	5	
	4240018	Tie-Strap 15"/38cm	10	
	4751400	Flatwasher 1/4"	5	
	4240033	Tie-Strap 7.5"/19cm	15	
	4460328	Connector, Strain Relief (Located On Platform)	1	
	4240127	Tie-Strap 21"/53cm	4	

SECTION 3 SCISSOR ARMS

SECTION 3 SCISSOR ARMS

FIGURE 3-1. SCISSOR ARMS INSTALLATION - 1532E (POWER DOWN MACHINES) (CONTINUED)

FIG & ITEM #	PART NUMBER	DESCRIPTION	QTY.	REV.

**S
E
C
T
I
O
N

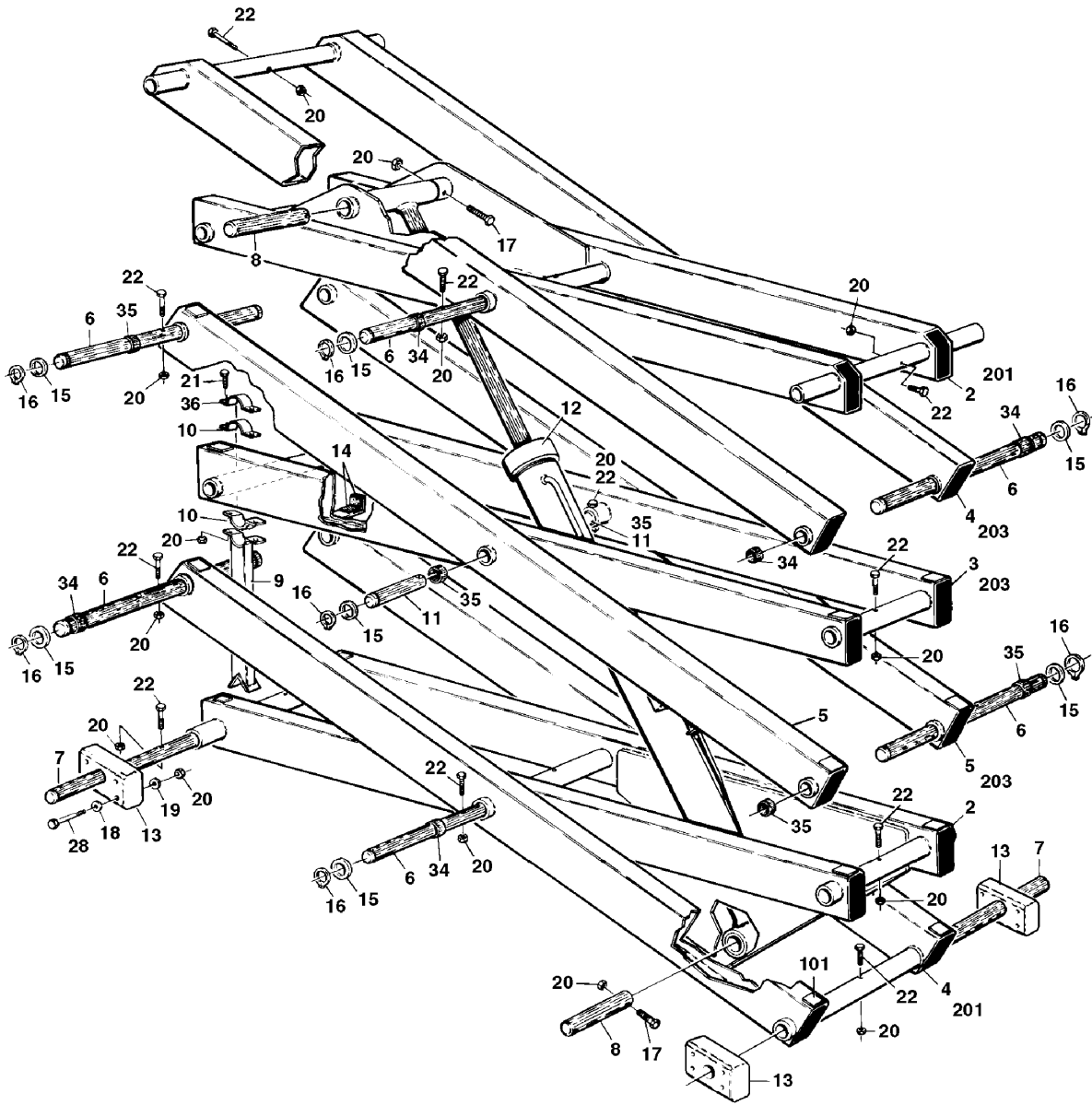
3

S
C
I
S
S
O
R

A
R
M
S**

SECTION 3 SCISSOR ARMS

FIGURE 3-2. SCISSOR ARMS INSTALLATION - 1532E
(GRAVITY DOWN MACHINES)



SECTION 3 SCISSOR ARMS

SECTION 3 SCISSOR ARMS

FIGURE 3-2. SCISSOR ARMS INSTALLATION - 1532E (GRAVITY DOWN MACHINES)

FIG & ITEM #	PART NUMBER	DESCRIPTION	QTY.	REV.
	0257115	Note: To determine Power or Gravity Down refer to page A. SCISSOR ARMS INSTALLATION - 1532E (GRAVITY DOWN MACHINES)	Ref.	4/C
1	Not Used			
2	0200538	Arm Weldment (Top and Bottom Inboard)	2	
3	0200539	Arm Weldment (Mid Inboard)	1	
4	0200540	Arm Weldment (Top and Bottom Outboard)	2	
5	0200541	Arm Weldment (Mid Outboard)	2	
6	3422494	Pin	6	
7	3422495	Pin	2	
8	3422496	Pin	2	
9	4845475	Prop, Safety	1	
10	4240125	Bushing, Split	1	
11	3422488	Pin	2	
12	1683500	Lift Cylinder Assembly (See Section 5 for Breakdown)	1	
13	3340629	Pad, Slide Block	4	
14		Pad Options:	3	
	3340645	Prior to S/N 47288 (Polyurethane)		
	3340841	S/N 47288 to Present (PVC)		
15	4740438	Washer, Special	14	
16	3760387	Ring, Retaining	14	
17	0641522	Bolt 5/16"-18NC x 2 3/4"	2	
18	4711500	Flatwasher 5/16" Narrow	8	
19	4751500	Flatwasher 5/16" Regular	8	
20	3311505	Locknut 5/16"-18NC	24	
21	0641508	Bolt 5/16"-18NC x 1"	2	
22	0641520	Bolt 5/16"-18NC x 2 1/2"	12	
23 to 27	Not Used			
28	0641524	Bolt 5/16"-18NC x 3"	8	
29 to 33	Not Used			
34	0962010	Bushing, Garmax	8	
35	0962010	Bushing, Garmax	6	
36	4240128	Strap	1	
37	4740307	Shim	2	

	2901501	Arm Kit - 1532E (Includes Items 2-5 & 9)	1	A
	0252586	ARM PADS INSTALLATION	Ref.	3
101		Pad Options:	16	
	3340645	Prior to S/N 47288 (Polyurethane)		
	3340841	S/N 47288 to Present (PVC)		
	0256386	ARM CAPS INSTALLATION	Ref.	2
201	1120480	Cap	8	
202	Not Used			
203	1120479	Cap	16	
204	0100080	Adhesive (Not Shown)	A/R	

SECTION 3 SCISSOR ARMS

SECTION 3 SCISSOR ARMS

FIGURE 3-2. SCISSOR ARMS INSTALLATION - 1532E (GRAVITY DOWN MACHINES) (CONTINUED)

FIG & ITEM #	PART NUMBER	DESCRIPTION	QTY.	REV.
		Note: To determine Power or Gravity Down refer to page A.		
	0256527	CABLE/HOSE CLAMPS INSTALLATION (NOT SHOWN)	Ref.	8/G
	1320224	Clamp, Loop 5/8"	10	
	3941406	Screw, Self-Tapping 1/4" x 3/4"	5	
	4240018	Tie-Strap 15"/38cm (Prior to S/N 38168)	10	
	4751400	Flatwasher 1/4" (Prior to S/N 38168)	5	
	4240033	Tie-Strap 7.5"/19cm	15	
	4460328	Connector, Strain Relief (Located On Platform) (Prior to S/N 45030)	1	
	4460071	Connector, Strain Relief (Located On Platform) (S/N 45030 to Present)	1	
	4240127	Tie-Strap 21"/53cm	4	
	4060807	Shield, Edge Trim	1 ft./30.5	
	1320095	Clamp	1	
	0641408	Bolt 1/4'-20NC x 1"	2	
	3311405	Nut 1/4"-20NC	2	

SECTION 3 SCISSOR ARMS

SECTION 3 SCISSOR ARMS

FIGURE 3-2. SCISSOR ARMS INSTALLATION - 1532E (GRAVITY DOWN MACHINES) (CONTINUED)

FIG & ITEM #	PART NUMBER	DESCRIPTION	QTY.	REV.

**S
E
C
T
I
O
N

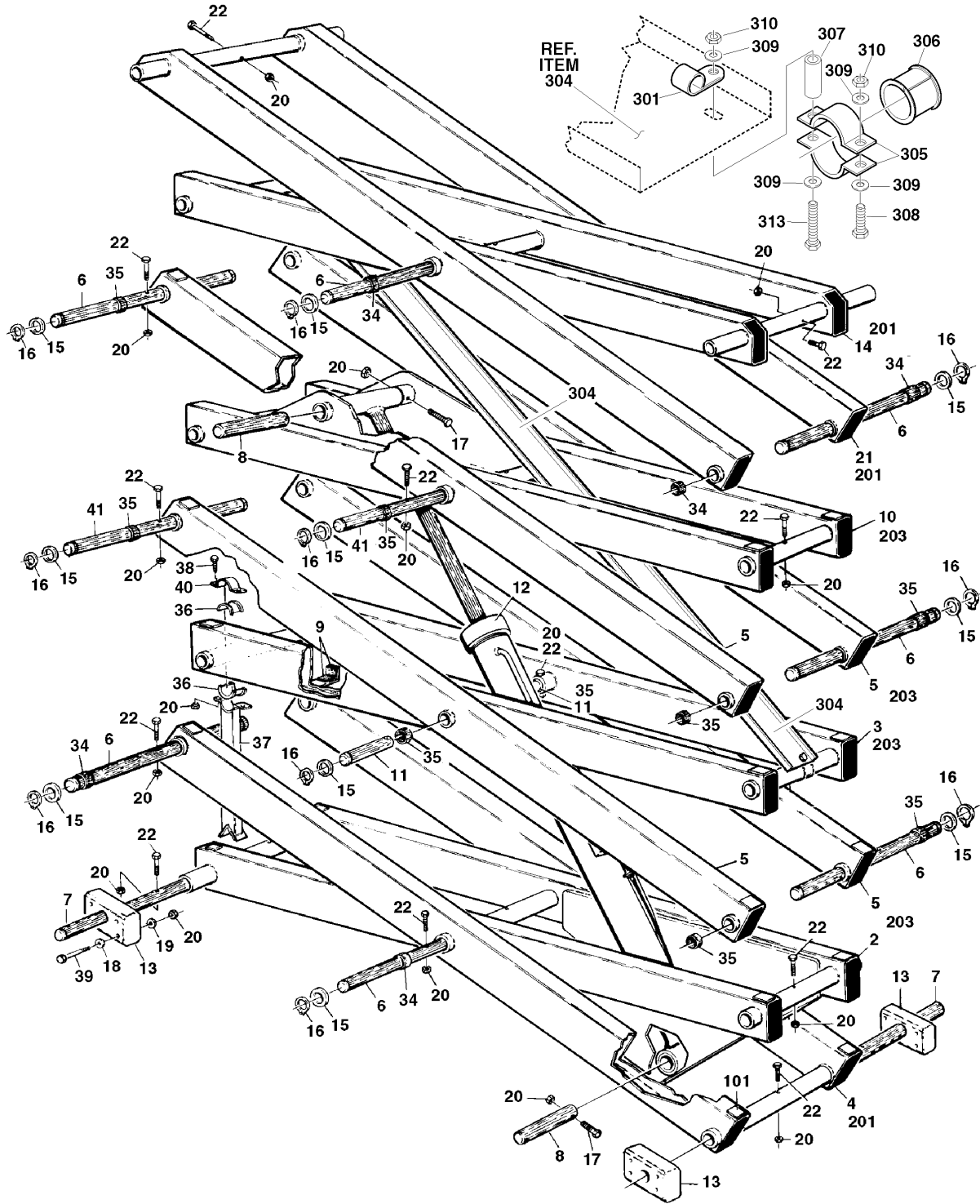
3

S
C
I
S
S
O
R

A
R
M
S**

SECTION 3 SCISSOR ARMS

FIGURE 3-3. SCISSOR ARMS INSTALLATION - 1932E
(POWER DOWN MACHINES)



SECTION 3 SCISSOR ARMS

SECTION 3 SCISSOR ARMS

FIGURE 3-3. SCISSOR ARMS INSTALLATION - 1932E (POWER DOWN MACHINES)

FIG & ITEM #	PART NUMBER	DESCRIPTION	QTY.	REV.
	0255751	Note: To determine Power or Gravity Down refer to page A. COMMON MACHINES	Ref.	11/L
1	Not Used			
2	0200538	Arm Weldment (Bottom Inboard)	1	
3	0200539	Arm Weldment (Lower Mid Inboard)	1	
4	0200540	Arm Weldment (Bottom Outboard)	1	
5	0200541	Arm Weldment (Lower and Upper Mid Outboard)	4	
6	3422494	Pin	7	
7	3422495	Pin	2	
8	3422496	Pin	2	
9	3340645	Pad, Polyurethane	3	
10	0200542	Arm Weldment (Upper Mid Inboard)	1	
11	3422488	Pin	2	
12		Lift Cylinder Assembly (See Section 5 for Breakdown)	1	
	1683377	Prior to S/N27181		
	1683475	S/N27181 to Present		
13	3340784	Pad, Slide (Prior to S/N 29098)	4	
	3340629	Pad, Slide (S/N 29098 to Present)	4	
14	0200543	Arm Weldment (Top Inboard)	1	
15	4740438	Washer, Special	14	
16	3760387	Ring, Retaining	14	
17	0641522	Bolt 5/16"-18NC x 2 3/4"	12	
18	4711500	Flatwasher 5/16" Narrow	8	
19	4751500	Flatwasher 5/16" Regular	8	
20	3311505	Locknut 5/16"-18NC	24	
21	0200544	Arm Weldment (Top Outboard)	1	
22	0641520	Bolt 5/16"-18NC x 2 1/2"	12	
23 to 33	Not Used			
34	0962010	Bushing, Garmax (4 Per Weldment)	4	
35	0962010	Bushing, Garmax (3 Per Weldment)	12	
36	0962015	Bushing, Split (Prior to S/N 28355)	1	
	4240125	Bushing, Split (S/N 28355 to Present)	1	
37	4845040	Prop, Safety (Prior to S/N 28355)	1	
	4845431	Prop, Safety (S/N 28355 to Present)	1	
38	0641508	Bolt 5/16"-18NC x 1"	2	
39	0641524	Bolt 5/16"-18NC x 3"	8	
40	4240114	Strap (Prior to S/N 28355)	1	
	4240128	Strap (S/N 28355 to Present)	1	
41	3422494	Pin	2	
	2901367	----- Arm Kit - 1932E (Includes #s 2-5, 10, 14, 21 & 37)	1	A
	0252587	ARM PADS INSTALLATION	Ref.	-
101	3340645	Pad	24	
	0256387	ARM CAPS INSTALLATION	Ref.	-
201	1120480	Cap	8	
202	Not Used			
203	1120479	Cap	24	

SECTION 3 SCISSOR ARMS

SECTION 3 SCISSOR ARMS

FIGURE 3-3. SCISSOR ARMS INSTALLATION - 1932E (POWER DOWN MACHINES) (CONTINUED)

FIG & ITEM #	PART NUMBER	DESCRIPTION	QTY.	REV.
		Note: To determine Power or Gravity Down refer to page A.		
	0256528	CABLE/HOSE TRAY INSTALLATION	Ref.	6/F
301	1320224	Clamp, Loop 5/8"	12	
302	3941406	Screw, Self-Tapping (Not Shown - Used with Item 2)	9	
303	4240018	Tie-Strap 15"/38cm(Not Shown)	12	
304	3539796	Tray	1	
305	4240114	Strap (Requires Bushing #306) (Prior to S/N 28355)	4	
	4240125	Strap (Does NOT Require Bushing) (S/N 28355 to Present)	4	
306	0962015	Bushing, Split (Prior to S/N 28355 Only)	2	
307	4565665	Spacer, Tube (Prior to S/N 31100)	2	
	4567167	Spacer, Tube (S/N 31100 to Present)	2	
308	0641406	Bolt 1/4"-20NC x 3/4"	2	
309	4711400	Flatwasher 1/4" Narrow	9	
310	3311405	Locknut 1/4"-20NC	4	
311	4240033	Tie-Strap 7.5"/19cm (Not Shown)	20	
312	4460328	Connector, Strain Relief (Not Shown - Located on Platform)	1	
313	0641420	Bolt 1/4"-20NC x 2 1/2"	2	
314	4240127	Tie-Strap 21"/53cm (Not Shown)	4	

SECTION 3 SCISSOR ARMS

SECTION 3 SCISSOR ARMS

FIGURE 3-3. SCISSOR ARMS INSTALLATION - 1932E (POWER DOWN MACHINES) (CONTINUED)

FIG & ITEM #	PART NUMBER	DESCRIPTION	QTY.	REV.

**S
E
C
T
I
O
N

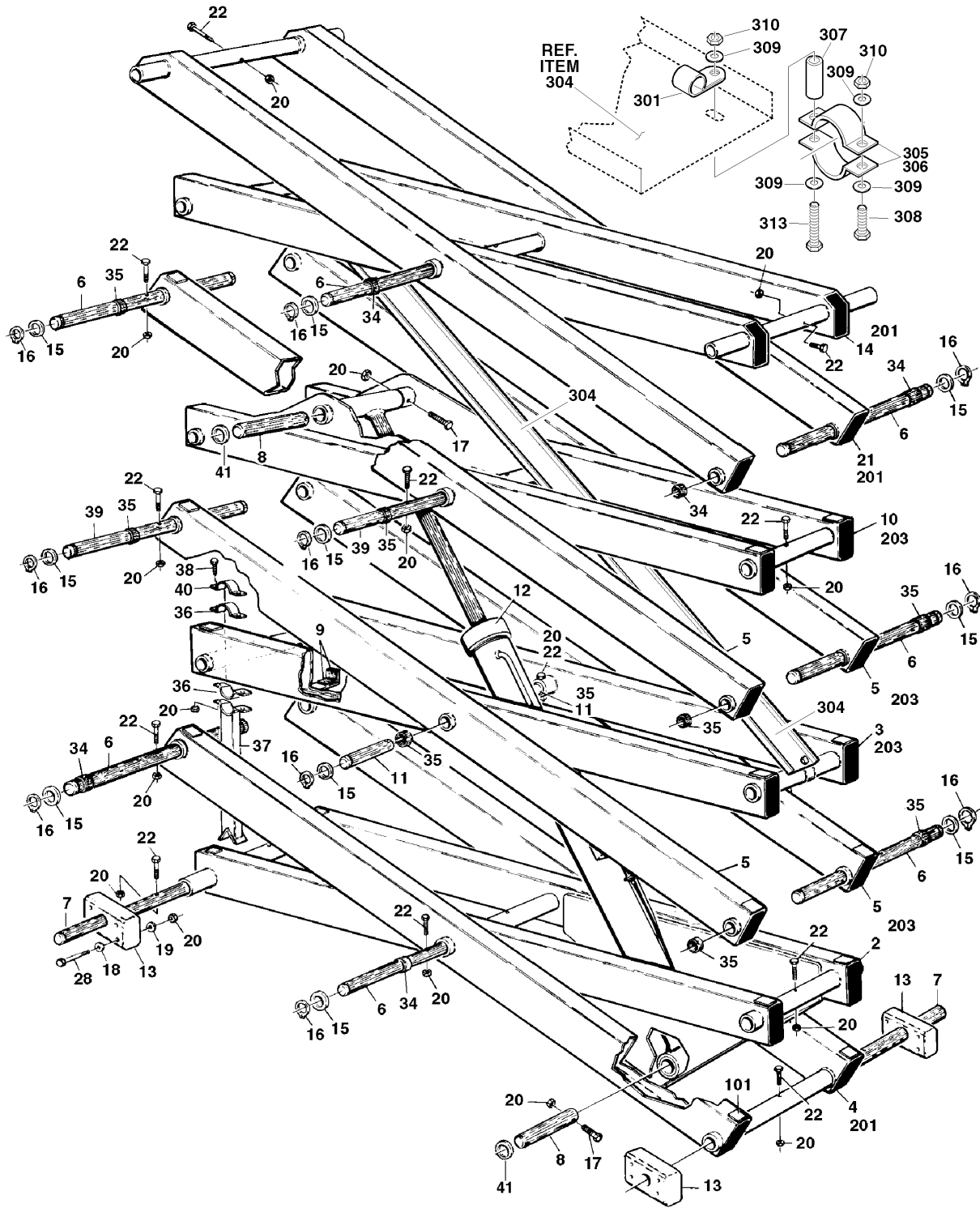
3

S
C
I
S
S
O
R

A
R
M
S**

SECTION 3 SCISSOR ARMS

FIGURE 3-4. SCISSOR ARMS INSTALLATION - 1932E
(GRAVITY DOWN MACHINES)



SECTION 3 SCISSOR ARMS

SECTION 3 SCISSOR ARMS

FIGURE 3-4. SCISSOR ARMS INSTALLATION - 1932E (GRAVITY DOWN MACHINES)

FIG & ITEM #	PART NUMBER	DESCRIPTION	QTY.	REV.
	0257116	Note: To determine Power or Gravity Down refer to page A. COMMON MACHINES	Ref.	6/C
1	Not Used			
2	0200538	Arm Weldment (Bottom Inboard)	1	
3	0200539	Arm Weldment (Lower Mid Inboard)	1	
4	0200540	Arm Weldment (Bottom Outboard)	1	
5	0200541	Arm Weldment (Lower and Upper Mid Outboard)	4	
6	3422494	Pin	7	
7	3422495	Pin	2	
8	3422496	Pin	2	
9		Pad Options:	3	
	3340645	Prior to S/N 47288 (Polyurethane)		
	3340841	S/N 47288 to Present (PVC)		
10	0200542	Arm Weldment (Upper Mid Inboard)	1	
11	3422488	Pin	2	
12	1683500	Lift Cylinder Assembly (See Section 5 for Breakdown)	1	
13	3340629	Pad, Slide	4	
14	0200543	Arm Weldment (Top Inboard)	1	
15	4740438	Washer, Special	20	
16	3760387	Ring, Retaining	20	
17	0641522	Bolt 5/16"-18NC x 2 3/4"	2	
18	4711500	Flatwasher 5/16" Narrow	8	
19	4751500	Flatwasher 5/16" Regular	8	
20	3311505	Locknut 5/16"-18NC	24	
21	0200544	Arm Weldment (Top Outboard)	1	
22	0641520	Bolt 5/16"-18NC x 2 1/2"	12	
23 to 27	Not Used			
28	0641524	Bolt 5/16"-18NC x 3"	8	
29 to 33	Not Used			
34	0962010	Bushing, Garmax	8	
35	0962010	Bushing, Garmax	12	
36	4240125	Bushing, Split	1	
37	4845475	Prop, Safety	1	
38	0641508	Bolt 5/16"-18NC x 1"	2	
39	3422494	Pin	2	
40	4240128	Strap	1	
41	4740307	Shim	2	
	2901502	----- Arm Kit - 1932E (Includes items 2-5, 10, 14, 21 & 37)	1	1/A
	0252587	ARM PADS INSTALLATION	Ref.	3
101		Pad Options:	24	
	3340645	Prior to S/N 47288 (Polyurethane)		
	3340841	S/N 47288 to Present (PVC)		
	0256387	ARM CAPS INSTALLATION	Ref.	2
201	1120480	Cap	8	
202	Not Used			
203	1120479	Cap	24	
204	0100080	Adhesive (Not Shown)	A/R	

SECTION 3 SCISSOR ARMS

SECTION 3 SCISSOR ARMS

FIGURE 3-4. SCISSOR ARMS INSTALLATION - 1932E (GRAVITY DOWN MACHINES) (CONTINUED)

FIG & ITEM #	PART NUMBER	DESCRIPTION	QTY.	REV.
		Note: To determine Power or Gravity Down refer to page A.		
	0256528	CABLE/HOSE TRAY INSTALLATION	Ref.	10/1
301	1320224	Clamp, Loop 5/8"	11	
302	3941406	Screw, Self-Tapping (Not Shown - Used with Item 2)	8	
303	4240018	Tie-Strap 15"/38cm(Not Shown) (Prior to S/N 38168)	12	
304	3539796	Tray	1	
305	4240125	Strap	4	
306	4240128	Strap (S/N 57976 to Present Only)	4	
307	4567167	Spacer, Tube	2	
308	0641408	Bolt 1/4"-20NC x 1"	2	
309	4711400	Flatwasher 1/4" Narrow	6	
310	3311405	Locknut 1/4"-20NC	4	
311	4240033	Tie-Strap 7.5"/19cm (Not Shown)	20	
312	4460328	Connector, Strain Relief (Not Shown - Located On Platform) (Prior to S/N 45030)	1	
	4460071	Connector, Strain Relief (Not Shown - Located On Platform) (S/N 45030 to Present)	1	
313	0641422	Bolt 1/4"-20NC x 2 3/4"	2	
314	4240127	Tie-Strap 21"/53cm (Not Shown)	4	
315	4060807	Shield, Trim Edge (Not Shown - Located on Frame)	1ft/30.5m	
316	1320095	Clamp (Not Shown)	1	
317	1320061	Clamp (Not Shown) (Prior to S/N 38168)	3	

SECTION 3 SCISSOR ARMS

SECTION 3 SCISSOR ARMS

FIGURE 3-4. SCISSOR ARMS INSTALLATION - 1932E (GRAVITY DOWN MACHINES) (CONTINUED)

FIG & ITEM #	PART NUMBER	DESCRIPTION	QTY.	REV.

**S
E
C
T
I
O
N

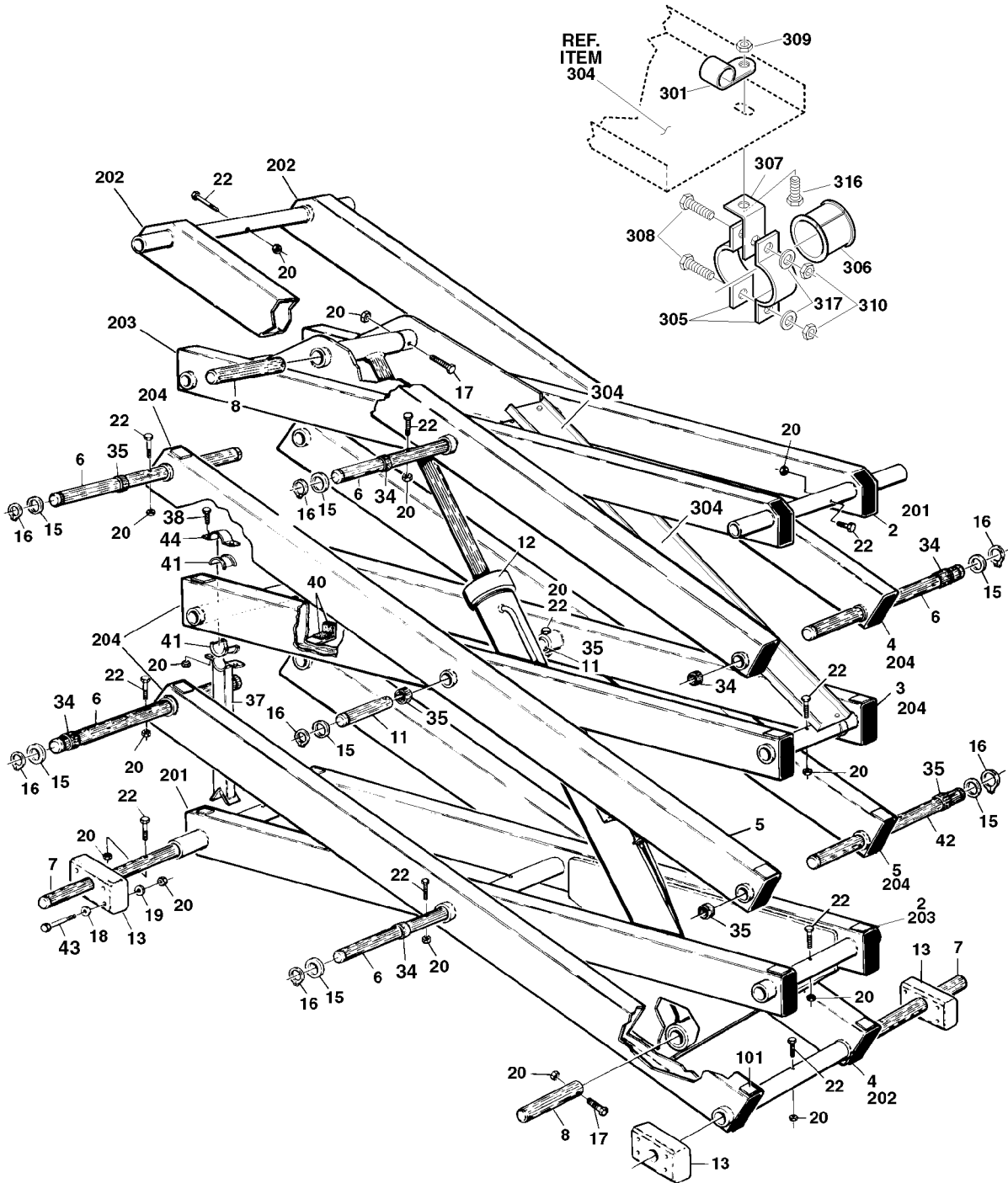
3

S
C
I
S
S
O
R

A
R
M
S**

SECTION 3 SCISSOR ARMS

FIGURE 3-5. SCISSOR ARMS INSTALLATION - 2033E/2046E
(POWER DOWN MACHINES)



SECTION 3 SCISSOR ARMS

SECTION 3 SCISSOR ARMS

FIGURE 3-5. SCISSOR ARMS INSTALLATION - 2033E/2046E (POWER DOWN MACHINES)

FIG & ITEM #	PART NUMBER	DESCRIPTION	QTY.	REV.
	0255571	Note: To determine Power or Gravity Down refer to page A. COMMON MACHINES	Ref.	11
1	Not Used			
2	0200531	Arm Weldment (Top and Bottom Inboard)	2	
3	0200532	Arm Weldment (Mid Inboard)	1	
4	0200533	Arm Weldment (Top and Bottom Outboard)	2	
5	0200534	Arm Weldment (Mid Outboard)	2	
6	3422483	Pin	5	
7	3422484	Pin	2	
8	3422485	Pin	2	
9 to 10	Not Used			
11	3422488	Pin	2	
12		Lift Cylinder Assembly (See Section 5 for Breakdown)	1	
	1683352	Prior to S/N27085		
	1683473	S/N27085 to Present		
13	3340784	Pad, Slide Block (Prior to S/N 29022)	4	
	3340629	Pad, Slide Block (S/N 29022 to Present)	4	
14	Not Used			
15	4740438	Washer, Special	14	
16	3760387	Ring, Retaining	14	
17	0641522	Bolt 5/16"-18NC x 2 3/4"	2	
18	4711500	Flatwasher 5/16" Narrow	8	
19	4751500	Flatwasher 5/16" Regular	8	
20	3311505	Locknut 5/16"-18NC	24	
21	Not Used			
22	0681520	Bolt 5/16"-18NC x 2 1/2" Grade 8	12	
23 to 33	Not Used			
34	0962010	Bushing, Garmax (4 Per Weldment)	8	
35	0962010	Bushing, Garmax (3 Per Weldment)	6	
36	Not Used			
37	4845040	Prop, Safety (Prior to S/N 28355)	1	
	4845431	Prop, Safety (S/N 28355 to Present)	1	
38	0641508	Bolt 5/16"-18NC x 1"	2	
39	Not Used			
40	3340645	Pad	3	
41	0962015	Bushing, Split (Prior to S/N 28355)	1	
	4240125	Bushing, Split (S/N 28355 to Present)	1	
42	3422483	Pin	1	
43	0641524	Bolt 5/16"-18NC x 3"	8	
44	4240114	Strap (Prior to S/N 28355)	1	
	4240128	Strap (S/N 28355 to Present)	1	
	2901340	----- Arm Kit - 2033E/2046E (Includes Items 2-5 & 37)	1	A
	0252586	ARM PADS INSTALLATION	Ref.	-
101	3340645	Pad	16	
	0256063	ARM CAPS INSTALLATION	Ref.	
201	1120474	Cap	4	
202	1120475	Cap	4	
203	1120472	Cap	4	
204	1120473	Cap	12	

SECTION 3 SCISSOR ARMS

SECTION 3 SCISSOR ARMS

FIGURE 3-5. SCISSOR ARMS INSTALLATION - 2033E/2046E (POWER DOWN MACHINES)

FIG & ITEM #	PART NUMBER	DESCRIPTION	QTY.	REV.
		Note: To determine Power or Gravity Down refer to page A.		
	0256509	CABLE/HOSE TRAY INSTALLATION	Ref.	5/E
301	1320224	Clamp, Loop 5/8"	13	
302	3941406	Screw, Self-Tapping (Not Shown - Used with Item 2)	8	
303	4240018	Tie-Strap 15"/38cm (Not Shown)	12	
304	3539264	Tray	1	
305	4240114	Strap (Requires Bushing #306) (Prior to S/N 28355)	4	
	4240125	Strap (Does NOT Require Bushing) (S/N 28355 to Present)	4	
306	0962015	Bushing, Split (Prior to S/N 28355 Only)	2	
307	4240116	Strap, Mounting Angle	3	
308	0641508	Bolt 5/16"-18NC x 1"	4	
309	3311405	Locknut 1/4"-20NC	2	
310	3311505	Locknut 5/16"-18NC	4	
311	4240033	Tie-Strap 7.5"/19cm(Not Shown)	24	
312	4460328	Connector, Strain Relief (Not Shown - Located on Platform)	1	
313	4240127	Tie-Strap 21"/53cm (Not Shown)	4	
314 to 315	Not Used			
316	0641406	Bolt 1/4"-20 x 3/4"	2	
317	4711500	Flatwasher 5/16"	8	

SECTION 3 SCISSOR ARMS

SECTION 3 SCISSOR ARMS

FIGURE 3-5. SCISSOR ARMS INSTALLATION - 2033E/2046E (POWER DOWN MACHINES)

FIG & ITEM #	PART NUMBER	DESCRIPTION	QTY.	REV.

**S
E
C
T
I
O
N

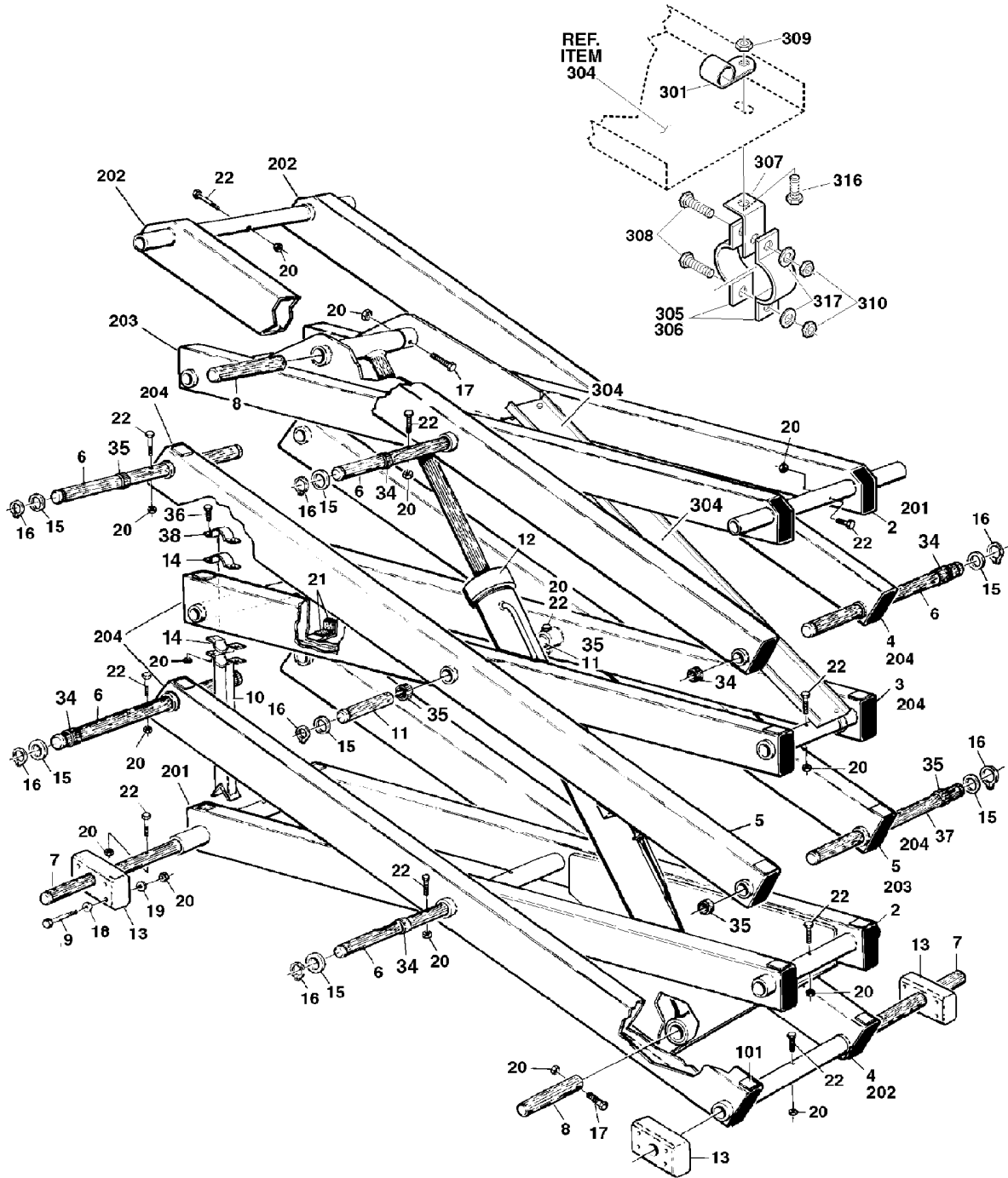
3

S
C
I
S
S
O
R

A
R
M
S**

SECTION 3 SCISSOR ARMS

FIGURE 3-6. SCISSOR ARMS INSTALLATION - 2033E/2046E
(GRAVITY DOWN MACHINES)



SECTION 3 SCISSOR ARMS

SECTION 3 SCISSOR ARMS

FIGURE 3-6. SCISSOR ARMS INSTALLATION - 2033E/2046E (GRAVITY DOWN MACHINES)

FIG & ITEM #	PART NUMBER	DESCRIPTION	QTY.	REV.
	0257118	Note: To determine Power or Gravity Down refer to page A. COMMON MACHINES	Ref.	4
1	Not Used			
2	0200531	Arm Weldment (Top and Bottom Inboard)	2	
3	0200532	Arm Weldment (Mid Inboard)	1	
4	0200533	Arm Weldment (Top and Bottom Outboard)	2	
5	0200534	Arm Weldment (Mid Outboard)	2	
6	3422483	Pin	5	
7	3422484	Pin	2	
8	3422485	Pin	2	
9	0641524	Bolt 5/16"-18NC x 3"	8	
10	4845475	Prop, Safety	1	
11	3422488	Pin	2	
12	1683501	Lift Cylinder Assembly (See Section 5 for Breakdown)	1	
13	3340629	Pad, Slide Block	4	
14	4240125	Bushing, Split	1	
15	4740438	Washer, Special	14	
16	3760387	Ring, Retaining	14	
17	0641522	Bolt 5/16"-18NC x 2 3/4"	2	
18	4711500	Flatwasher 5/16" Narrow	8	
19	4751500	Flatwasher 5/16" Regular	8	
20	3311505	Locknut 5/16"-18NC	24	
21		Pad Options:	3	
	3340645	Prior to S/N 47288 (Polyurethane)		
	3340841	S/N 47288 to Present (PVC)		
22	0681520	Bolt 5/16"-18NC x 2 1/2" Grade 8	12	
23 to 33	Not Used			
34	0962010	Bushing, Garmax	8	
35	0962010	Bushing, Garmax	6	
36	0641508	Bolt 5/16"-18NC x 1"	2	
37	3422483	Pin	1	
38	4240128	Strap	1	

	2901503	Arm Kit - 2033E/2046E (Includes Items 2-5 & 10)	1	A
	0252586	ARM PADS INSTALLATION	Ref.	3
101		Pad Options:	16	
	3340645	Prior to S/N 47288 (Polyurethane)		
	3340841	S/N 47288 to Present (PVC)		
	0256063	ARM CAPS INSTALLATION	Ref.	
201	1120474	Cap	4	
202	1120475	Cap	4	
203	1120472	Cap	4	
204	1120473	Cap	12	
205	0100080	Adhesive (Not Shown)	A/R	

SECTION 3 SCISSOR ARMS

SECTION 3 SCISSOR ARMS

FIGURE 3-6. SCISSOR ARMS INSTALLATION - 2033E/2046E (GRAVITY DOWN MACHINES)

FIG & ITEM #	PART NUMBER	DESCRIPTION	QTY.	REV.
		Note: To determine Power or Gravity Down refer to page A.		
	0256509	CABLE/HOSE TRAY INSTALLATION	Ref.	9/G
301	1320224	Clamp, Loop 5/8"	13	
302	3941406	Screw, Self-Tapping (Not Shown - Used with Item 2)	8	
303	4240018	Tie-Strap 15"/38cm (Not Shown)	12	
304	3539264	Tray	1	
305	4240125	Strap	4	
306	4240128	Strap (S/N 57976 to Present Only)	4	
307	4240116	Strap, Mounting Angle	2	
308	0641510	Bolt 5/16"-18NC x 1 1/4"	4	
309	3311405	Locknut 1/4"-20NC	2	
310	3311505	Locknut 5/16"-18NC	4	
311	4240033	Tie-Strap 7.5"/19cm (Not Shown)	24	
312	4460328	Connector, Strain Relief (Not Shown - Located On Platform) (Prior to S/N 45030)	1	
	4460071	Connector, Strain Relief (Not Shown - Located On Platform) (S/N 45030 to Present)	1	
313	4240127	Tie-Strap 21"/53cm (Not Shown)	4	
314	4060807	Shield, Trim Edge (Not Shown - Located on Frame)	1ft/30.5m	
315	1320095	Clamp (Not Shown)	2	
316	0641406	Bolt 1/4"-20NC x 3/4"	2	
317	4711500	Flatwasher 5/16" Narrow	8	

SECTION 3 SCISSOR ARMS

SECTION 3 SCISSOR ARMS

FIGURE 3-6. SCISSOR ARMS INSTALLATION - 2033E/2046E (GRAVITY DOWN MACHINES)

FIG & ITEM #	PART NUMBER	DESCRIPTION	QTY.	REV.

**S
E
C
T
I
O
N

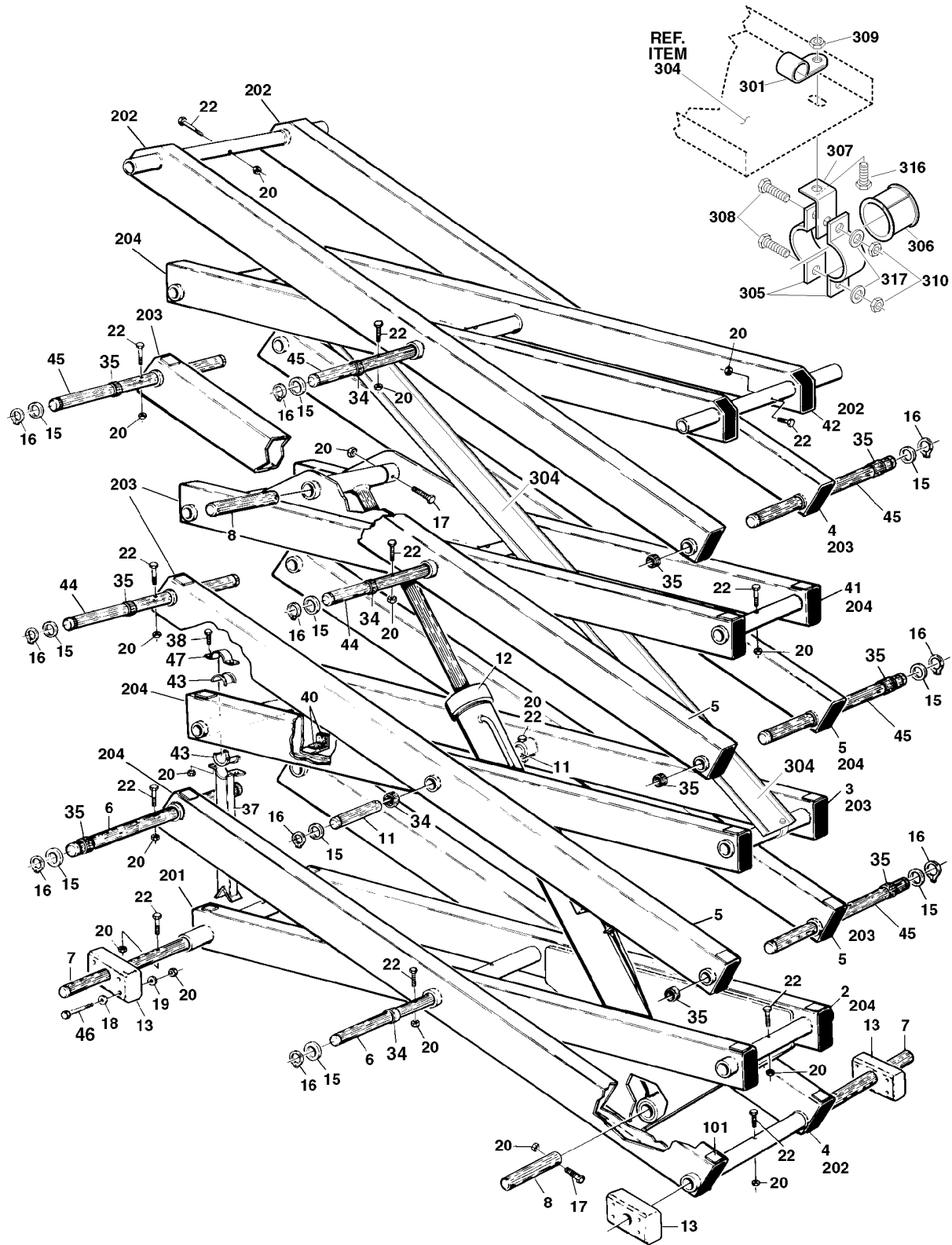
3

S
C
I
S
S
O
R

A
R
M
S**

SECTION 3 SCISSOR ARMS

FIGURE 3-7. SCISSOR ARMS INSTALLATION - 2646E/2658E
(POWER DOWN MACHINES)



SECTION 3 SCISSOR ARMS

SECTION 3 SCISSOR ARMS

FIGURE 3-7. SCISSOR ARMS INSTALLATION - 2646E/2658E (POWER DOWN MACHINES)

FIG & ITEM #	PART NUMBER	DESCRIPTION	QTY.	REV.
	0255618	Note: To determine Power or Gravity Down refer to page A. COMMON MACHINES	Ref.	1
1	Not Used			
2	0200531	Arm Weldment (Bottom Inboard)	1	
3	0200532	Arm Weldment (Lower Mid Inboard)	1	
4	0200533	Arm Weldment (Bottom and Top Outboard)	2	
5	0200537	Arm Weldment (Lower and Upper Mid Outboard)	4	
6	3422483	Pin	2	
7	3422484	Pin	2	
8	3422485	Pin	2	
9 to 10	Not Used			
11	3422488	Pin	2	
12		Lift Cylinder Assembly (See Section 5 for Breakdown)	1	
	1683363	Prior to S/N 26916		
	1683474	S/N 26916 to Present		
13	3340784	Pad, Slide Block (Prior to S/N 28909)	4	
	3340629	Pad, Slide Block (S/N 28909 to Present)	4	
14	Not Used			
15	4740438	Washer, Special	14	
16	3760387	Ring, Retaining	14	
17	0641522	Bolt 5/16"-18NC x 2 3/4"	2	
18	4711500	Flatwasher 5/16" Narrow	8	
19	4751500	Flatwasher 5/16" Regular	8	
20	3311505	Locknut 5/16"-18NC	24	
21	Not Used			
22	0681520	Bolt 5/16"-18NC x 2 1/2" Grade 8	12	
23 to 33	Not Used			
34	0962010	Bushing, Garmax	8	
35	0962010	Bushing, Garmax	12	
36	Not Used			
37	4845040	Prop, Safety (Prior to S/N 28355)	1	
	4845431	Prop, Safety (S/N 28355 to Present)	1	
38	0641508	Bolt 5/16"-18NC x 1"	2	
39	Not Used			
40	3340645	Pad	24	
41	0200535	Arm Weldment (Upper Mid Inboard)	1	
42	0200536	Arm Weldment (Top Inboard)	1	
43	0962015	Bushing, Split (Prior to S/N 28355)	1	
	4240125	Bushing, Split (S/N 28355 to Present)	1	
44	3422597	Pin	2	
45	3422483	Pin	5	
46	0641524	Bolt 5/16"-18NC x 3"	8	
47	4240114	Strap (Prior to S/N 28355)	1	
	4240128	Strap (S/N 28355 to Present)	1	
	2901352	----- Arm Kit - 2646E/2658E (Includes Items 2-5, 10, 14, 21 & 37)	1	A
	0252587	ARM PADS INSTALLATION	Ref.	-
101	3340645	Pad	24	

SECTION 3 SCISSOR ARMS

SECTION 3 SCISSOR ARMS

FIGURE 3-7. SCISSOR ARMS INSTALLATION - 2646E/2658E (POWER DOWN MACHINES)

FIG & ITEM #	PART NUMBER	DESCRIPTION	QTY.	REV.
		Note: To determine Power or Gravity Down refer to page A.		
	0256064	ARM CAPS INSTALLATION	Ref.	—
201	1120474	Cap	2	
202	1120475	Cap	6	
203	1120472	Cap	14	
204	1120473	Cap	10	
	0256510	CABLE/HOSE TRAY INSTALLATION	Ref.	5/E
301	1320224	Clamp, Loop 5/8"	17	
302	3941406	Screw, Self-Tapping (Not Shown - Used with Item 2)	8	
303	4240018	Tie-Strap 15"/38cm(Not Shown)	16	
304	3539265	Tray	1	
305	4240114	Strap (Requires Bushing #306) (Prior to S/N 28355)	4	
	4240125	Strap (Does NOT Require Bushing) (S/N 28355 to Present)	4	
306	0962015	Bushing, Split (Prior to S/N 28355 Only)	2	
307	4240116	Strap, Mounting Angle	3	
308	0641510	Bolt 5/16"-18NC x 1 1/4"	4	
309	3311405	Locknut 1/4"-20NC	2	
310	3311505	Locknut 5/16"-18NC	4	
311	4240033	Tie-Strap 7.5"/19cm (Not Shown)	30	
312	4460328	Connector, Strain Relief (Not Shown - Located on Platform)	1	
313	4240127	Tie-Strap 21"/53cm (Not Shown)	4	
314 to 315	Not Used			
316	0641406	Bolt 1/4"-20 x 3/4"	2	
317	4711500	Flatwasher 5/16"	8	

SECTION 3 SCISSOR ARMS

SECTION 3 SCISSOR ARMS

FIGURE 3-7. SCISSOR ARMS INSTALLATION - 2646E/2658E (POWER DOWN MACHINES)

FIG & ITEM #	PART NUMBER	DESCRIPTION	QTY.	REV.

**S
E
C
T
I
O
N

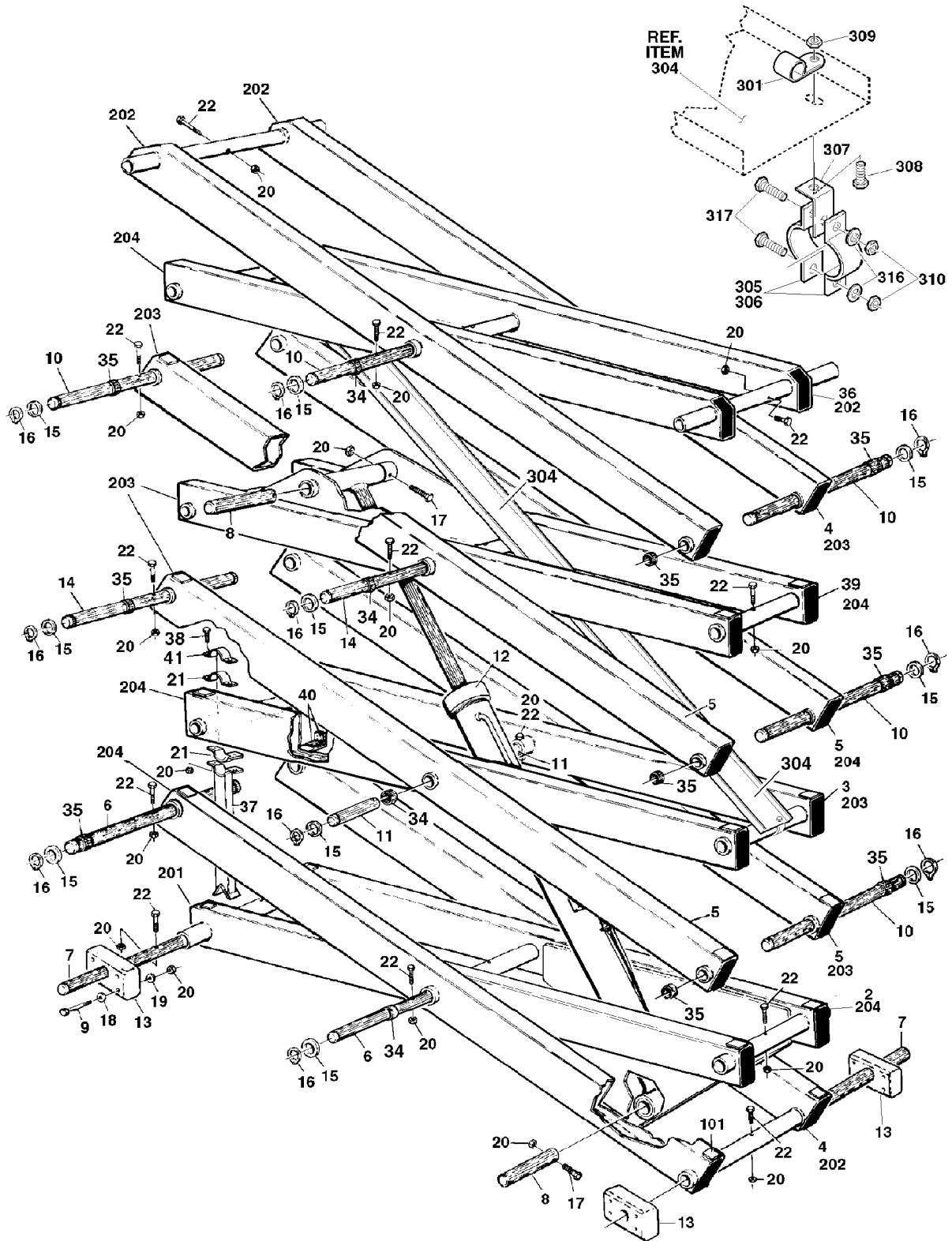
3

S
C
I
S
S
O
R

A
R
M
S**

SECTION 3 SCISSOR ARMS

FIGURE 3-8. SCISSOR ARMS INSTALLATION - 2646E/2658E
(GRAVITY DOWN MACHINES)



SECTION 3 SCISSOR ARMS

SECTION 3 SCISSOR ARMS

FIGURE 3-8. SCISSOR ARMS INSTALLATION - 2646E/2658E (GRAVITY DOWN MACHINES)

FIG & ITEM #	PART NUMBER	DESCRIPTION	QTY.	REV.
	0257120	Note: To determine Power or Gravity Down refer to page A. COMMON MACHINES	Ref.	5
1	Not Used			
2	0200531	Arm Weldment (Bottom Inboard)	1	
3	0200532	Arm Weldment (Lower Mid Inboard)	1	
4	0200533	Arm Weldment (Bottom and Top Outboard)	2	
5	0200537	Arm Weldment (Lower and Upper Mid Outboard)	4	
6	3422483	Pin	2	
7	3422484	Pin	2	
8	3422485	Pin	2	
9	0641524	Bolt 5/16"-18NC x 3"	8	
10	3422483	Pin	5	
11	3422488	Pin	2	
12	1683502	Lift Cylinder Assembly (See Section 5 for Breakdown)	1	
13	3340629	Pad, Slide Block	4	
14	3422597	Pin	2	
15	4740438	Washer, Special	20	
16	3760387	Ring, Retaining	20	
17	0641522	Bolt 5/16"-18NC x 2 3/4"	2	
18	4711500	Flatwasher 5/16" Narrow	8	
19	4751500	Flatwasher 5/16" Regular	8	
20	3311505	Locknut 5/16"-18NC	24	
21	4240125	Bushing, Split	1	
22	0681520	Bolt 5/16"-18NC x 2 1/2" Grade 8	12	
23 to 33	Not Used			
34	0962010	Bushing, Garmax	8	
35	0962010	Bushing, Garmax	12	
36	0200536	Arm Weldment (Top Inboard)	1	
37	4845475	Prop, Safety	1	
38	0641508	Bolt 5/16"-18NC x 1"	2	
39	0200535	Arm Weldment (Upper Mid Inboard)	1	
40		Pad Options:	3	
	3340645	Prior to S/N 47288 (Polyurethane)		
	3340841	S/N 47288 to Present (PVC)		
41	4240128	Strap	1	
	2901504	----- Arm Kit - 2646E/2658E (Includes Items 2-5, 36, 37 & 39)	1	1
	0252587	ARM PADS INSTALLATION	Ref.	3
101		Pad Options:	24	
	3340645	Prior to S/N 47288 (Polyurethane)		
	3340841	S/N 47288 to Present (PVC)		
	0256064	ARM CAPS INSTALLATION	Ref.	-
201	1120474	Cap	2	
202	1120475	Cap	6	
203	1120472	Cap	14	
204	1120473	Cap	10	
205	0100080	Adhesive (Not Shown)	A/R	

SECTION 3 SCISSOR ARMS

SECTION 3 SCISSOR ARMS

FIGURE 3-8. SCISSOR ARMS INSTALLATION - 2646E/2658E (GRAVITY DOWN MACHINES)

FIG & ITEM #	PART NUMBER	DESCRIPTION	QTY.	REV.
		Note: To determine Power or Gravity Down refer to page A.		
	0256510	CABLE/HOSE TRAY INSTALLATION	Ref.	9/G
301	1320224	Clamp, Loop 5/8"	17	
302	3941406	Screw, Self-Tapping (Not Shown - Used with Item 2)	8	
303	4240018	Tie-Strap 15'/38cm (Not Shown)	16	
304	3539265	Tray	1	
305	4240125	Strap	4	
306	4240128	Strap (S/N 57976 to Present Only)	4	
307	4240116	Strap, Mounting Angle	2	
308	0641406	Bolt 1/4"-20NC x 3/4"	6	
309	3311405	Locknut 1/4"-20NC	2	
310	3311505	Locknut 5/16"-18NC	4	
311	4240033	Tie-Strap 7.5'/19cm(Not Shown)	30	
312	4460328	Connector, Strain Relief (Not Shown - Located On Platform) (Prior to S/N 45030)	1	
	4460071	Connector, Strain Relief (Not Shown - Located On Platform) (S/N 45030 to Present)	1	
313	4240127	Tie-Strap 21'/53cm (Not Shown)	4	
314	4060807	Shield, Trim Edge (Not Shown - Located on Frame)	1ft/30.5m	
315	1320095	Clamp (Not Shown)	2	
316	4711500	Flatwasher 5/16" Narrow	8	
317	0641510	Bolt 5/16"-18NC x 1 1/4"	2	

SECTION 3 SCISSOR ARMS

SECTION 3 SCISSOR ARMS

FIGURE 3-8. SCISSOR ARMS INSTALLATION - 2646E/2658E (GRAVITY DOWN MACHINES)

FIG & ITEM #	PART NUMBER	DESCRIPTION	QTY.	REV.

**S
E
C
T
I
O
N

3

S
C
I
S
S
O
R

A
R
M
S**

SECTION 3 SCISSOR ARMS

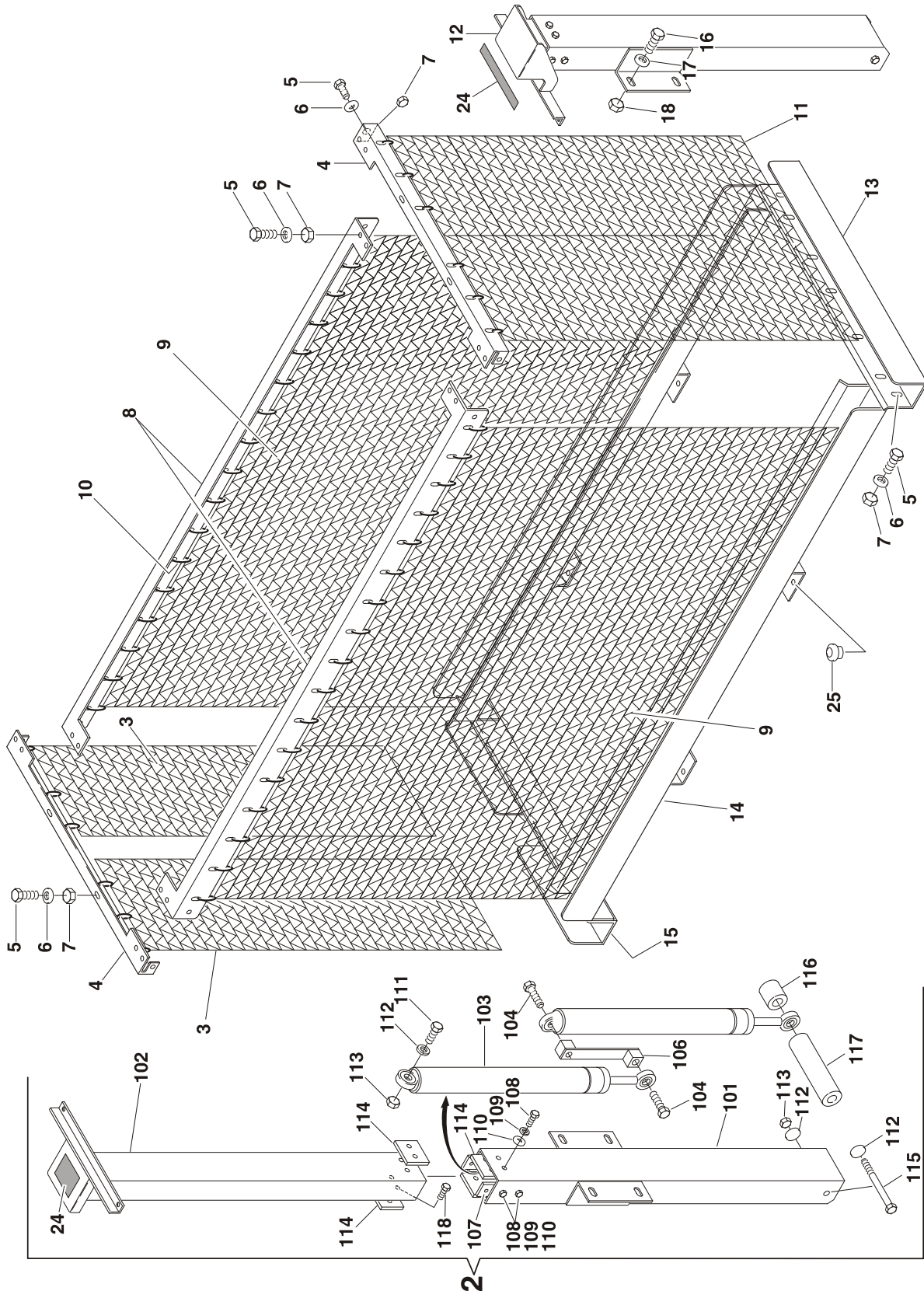
FIGURE 3-9. ARM GUARDS INSTALLATION - 1532E/1932E PRIOR TO S/N 30542

FIG & ITEM #	PART NUMBER	DESCRIPTION	QTY.	REV.
	0256649	ARM GUARDS INSTALLATION - 1532E/1932E PRIOR TO S/N 30542	Ref.	A
1	Not Used			
2	0256644	Actuator Assembly (See Items 101-118 For Breakdown)	2	
3	0480096	Belt, Mesh - End	2	
4	0181888	Angle, End	2	
5	0641406	Bolt 1/4"-20NC x 3/4"	24	
6	4711400	Flatwasher 1/4" Narrow	48	
7	3311405	Locknut 1/4"-20NC	24	
8	0181892	Angle, Side	2	
9	0480095	Belt, Mesh - Side	2	
10	4240033	Tie-Strap	60	
11	3539907	Tray - End	2	
12	4845376	Tray - Side	2	
13	Not Used			
14	0641608	Bolt 3/8"-16NC x 1"	8	
15	4711600	Flatwasher 3/8" Narrow	16	
16	3311605	Locknut 3/8"-16NC	8	
17 to 19	Not Used			
20	3520072	Plug, Tube	2	
	0256644	ACTUATOR ASSEMBLY	Ref.	A
101	4567077	Tube	1	
102	4567076	Tube	1	
103	4160136	Spring, Gas	2	
104	0641509	Bolt 5/16"-18NC x 1"	2	
105	0100011	Loctite #24231 (Not Shown)	A/R	
106	4845370	Link	1	
107	3340781	Pad	2	
108	0641604	Bolt 3/8"-16NC x 1/2"	8	
109	4751600	Flatwasher 3/8"	8	
110	4761600	Lockwasher 3/8"	8	
111	0641516	Bolt 5/16"-18NC x 2"	1	
112	4751500	Flatwasher 5/16"	4	
113	3311505	Locknut 5/16"-18NC	2	
114	3340780	Pad	4	
115	0641536	Bolt 5/16"-18NC x 4 1/2"	1	
116	0962074	Bushing	1	
117	0962075	Bushing	1	
118	3900213	Screw, Button Head 3/8"-16NC x 3/8"	4	

SECTION 3 SCISSOR ARMS

SECTION 3 SCISSOR ARMS

FIGURE 3-10. ARM GUARDS INSTALLATION - 2033E/2046E/2646E BUILT PRIOR TO S/N 30542 AND ALL 2658E BUILT PRIOR TO S/N 51216



SECTION 3 SCISSOR ARMS

SECTION 3 SCISSOR ARMS

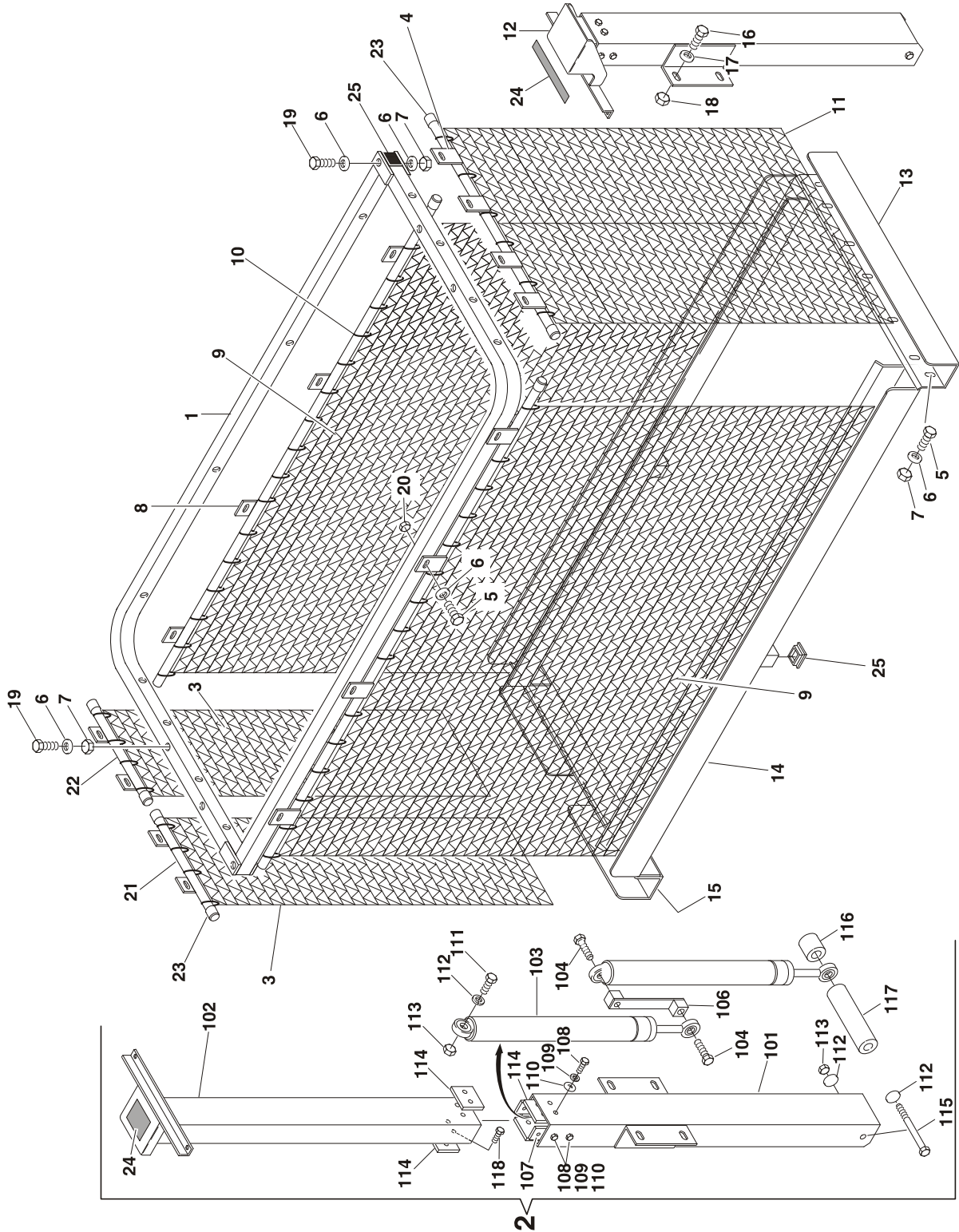
FIGURE 3-10. ARM GUARDS INSTALLATION - 2033E/2046E/2646E BUILT PRIOR TO S/N 30542 AND ALL 2658E BUILT PRIOR TO S/N 51216

FIG & ITEM #	PART NUMBER	DESCRIPTION	QTY.	REV.
	0256629	ARM GUARDS INSTALLATION - 2033E/2046E/2646E BUILT PRIOR TO S/N 30542 AND ALL 2658E BUILT PRIOR TO S/N 51216	Ref.	3/C
1	Not Used			
2	0256616	Actuator Assembly (Rear) (See Items 101-118 For Breakdown)	1	
3	0480094	Belt, Mesh - End	2	
4	0181888	Angle, End	2	
5	0641406	Bolt 1/4"-20NC x 3/4"	26	
6	4711400	Flatwasher 1/4" Narrow	52	
7	3311405	Locknut 1/4"-20NC	26	
8	0181889	Angle, Side	2	
9	0480092	Belt, Mesh - Side	2	
10	4240033	Tie-Strap	82	
11	0480093	Belt, Mesh - End	1	
12	0256615	Actuator Assembly (Front) (See Items 101-118 For Breakdown)	1	
13	3539897	Plate, End Tray	1	
14	4845372	Tray - Side	2	
15	3539907	Tray - End	1	
16	0641608	Bolt 3/8"-16NC x 1"	6	
17	4711600	Flatwasher 3/8" Narrow	12	
18	3311605	Locknut 3/8"-16NC	6	
19 to 23	Not Used			
24	4420055	Tape, UHMW	6in/15cm	
25	3520072	Plug, Tube	2	
		ACTUATOR ASSEMBLIES		
	0256615	Front Actuator	Ref.	2
	0256616	Rear Actuator	Ref.	3
101		Tube - Outer Options: Front Actuator	1	
	4567062	Rear Actuator		
102		Tube - Inner Options: Front Actuator	1	
	4567060	Rear Actuator		
103	4160136	Spring, Gas	2	
104	0641509	Bolt 5/16"-18NC x1"	2	
105	0100011	Loctite #24231 (Not Shown)	A/R	
106	4845370	Link	1	
107	3340781	Pad	2	
108	0641604	Bolt 3/8"-16NC x 1/2"	8	
109	4751600	Flatwasher 3/8"	8	
110	4761600	Lockwasher 3/8"	8	
111	0641516	Bolt 5/16"-18NC x 2"	1	
112	4751500	Flatwasher 5/16"	4	
113	3311505	Locknut 5/16"-18NC	2	
114	3340780	Pad	4	
115	0641536	Bolt 5/16"-18NC x 4 1/2"	1	
116	0962074	Bushing	1	
117	0962075	Bushing	1	
118	3900213	Screw, Button Head 3/8"-16NC x 3/8"	4	

SECTION 3 SCISSOR ARMS

SECTION 3 SCISSOR ARMS

FIGURE 3-11. ARM GUARDS INSTALLATION - ALL 2658E BUILT S/N 51216 TO PRESENT



SECTION 3 SCISSOR ARMS

SECTION 3 SCISSOR ARMS

FIGURE 3-11. ARM GUARDS INSTALLATION - ALL 2658E BUILT S/N 51216 TO PRESENT

FIG & ITEM #	PART NUMBER	DESCRIPTION	QTY.	REV.
	0258676	ARM GUARDS INSTALLATION - ALL 2658E BUILT S/N 51216 TO PRESENT	Ref.	1/A
1	4845515	Weldment, Top Rail	2	
2	0256616	Actuator Assembly (Rear) (See 101-118 for Breakdown)	1	
3	0480094	Belt, Mesh - End	2	
4	4845514	Weldment, Hanger - Front	1	
5	0641406	Bolt 1/4"-20NC x3/4"	26	
6	4711400	Flatwasher 1/4"	40	
7	3311405	Locknut 1/4"-20NC	16	
8	4845510	Weldment, Hanger - Side	2	
9	0480092	Belt, Mesh - Side	2	
10	4240033	Tie-Strap	82	
11	0480093	Belt, Mesh - End	1	
12	0256615	Actuator Assembly (Front) (See 101-118 for Breakdown)	1	
13	3539897	Plate, End Tray	1	
14	4845371	Tray, Side	2	
15	4845372	Tray, End	1	
16	0641608	Bolt 3/8"-16NC x 1"	8	
17	4711600	Flatwasher 3/8"	16	
18	3311605	Locknut 3/8"-16"	8	
19	0641418	Bolt 1/4"-20NC x 1 3/4"	4	
20	2080043	Fastener, Rivnut 1/4"-20NC	16	
21	4845512	Weldment, Hanger - Rear Left Side	1	
22	4845513	Weldment, Hanger - Rear Right Side	1	
23	1120514	Cap	10	
24	4420055	Tape, UHMW	6in/15cm	
25	3520072	Plug, Tube	6	
	0256616	ACTUATOR ASSEMBLY - REAR	Ref.	3
	0256615	ACTUATOR ASSEMBLY - FRONT	Ref.	2
101		Tube Outer Options:	1	
	4567060	Rear		
	4567062	Front		
102		Tube, Inner Options:	1	
	4567075	Rear		
	4567067	Front		
103	4160136	Spring, Gas	2	
104	0641509	Bolt 5/16"-18NC x 1 1/8"	2	
105	0100011	Loctite (Not Shown)	A/R	
106	4845370	Link	1	
107	3340781	Pad	2	
108	0641604	Bolt 3/8"-16NC x 1/2"	8	
109	4751600	Flatwasher 3/8"	8	
110	4761600	Lockwasher 3/8"	8	
111	0641516	Bolt 5/16"-18NC x2"	1	
112	4751500	Flatwasher 5/16"	4	
113	3311505	Locknut 5/16"-18NC	2	

SECTION 3 SCISSOR ARMS

SECTION 3 SCISSOR ARMS

FIGURE 3-11. ARM GUARDS INSTALLATION - ALL 2658E BUILT S/N 51216 TO PRESENT

FIG & ITEM #	PART NUMBER	DESCRIPTION	QTY.	REV.
114	3340780	Pad	4	
115	0641536	Bolt 5/16"-18NC x 4 1/2"	1	
116	0962074	Bushing	1	
117	0962075	Bushing	1	
118	3900213	Screw, Button Head 3/8"-16NC x3/8"	4	

**S
E
C
T
I
O
N

3

S
C
I
S
S
O
R

A
R
M
S**

SECTION 3 SCISSOR ARMS

FIGURE 3-11. ARM GUARDS INSTALLATION - ALL 2658E BUILT S/N 51216 TO PRESENT

FIG & ITEM #	PART NUMBER	DESCRIPTION	QTY.	REV.

**S
E
C
T
I
O
N

3

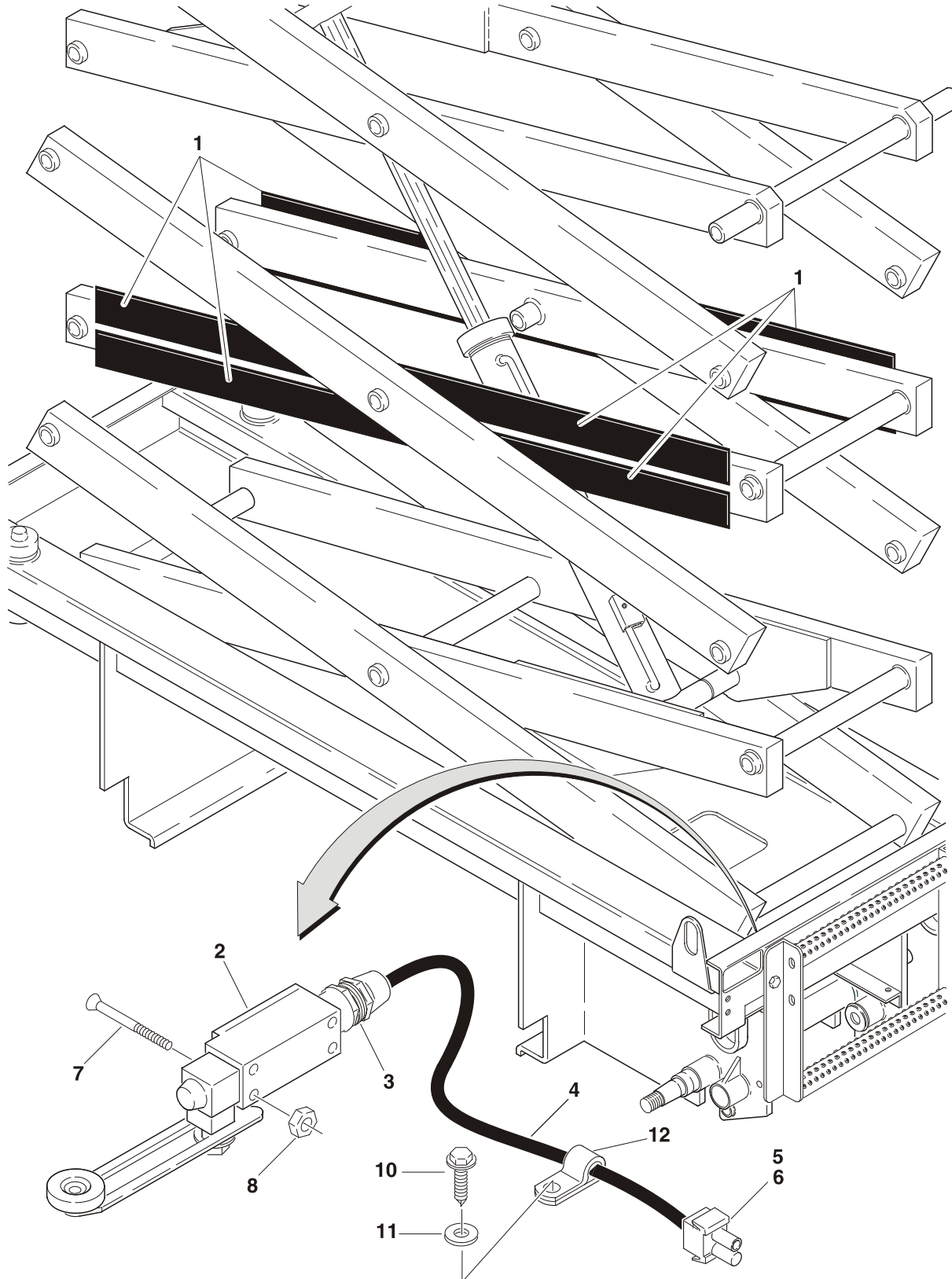
S
C
I
S
S
O
R

A
R
M
S**

SECTION 3 SCISSOR ARMS

FIGURE 3-12. PLATFORM DESCENT DELAY SYSTEM INSTALLATION - 1532E/
1932E/2033E/2046E/2646E BUILT S/N 30542 TO PRESENT

SECTION 3 SCISSOR ARMS



SECTION 3 SCISSOR ARMS

FIGURE 3-12. PLATFORM DESCENT DELAY SYSTEM INSTALLATION - 1532E/ 1932E/2033E/2046E/ 2646E BUILT S/N 30542 TO PRESENT

FIG & ITEM #	PART NUMBER	DESCRIPTION	QTY.	REV.
		PLATFORM DESCENT DELAY SYSTEM INSTALLATIONS		
	0257179	1532E	Ref.	4
	0257180	1932E	Ref.	4
	0257181	2033E/2046E	Ref.	3
	0257182	2646E	Ref.	3
1	4280301	Blade, Rubber 1532E 1932E 2033E/2046E 2646E	A/R 15ft/4.5m 25.7ft/7.8m 23ft/7m 40.25ft/12.3m	
2	4360397	Switch, Limit	1	
3	4460428	Connector, Strain Relief	1	
4	1060341	Cable, Electrical - 16/2	8ft/2.4m	
5		Connector, Electrical Options:	1	
	4460326	Metric Thread (Prior to S/N 49516)		
	4460052	SAE Thread (S/N 49516 to Present)		
6	4460226	Connector, Electrical	2	
7	3911024	Screw, Round Head #10-24NC x 1 1/2"	2	
8	3311001	Nut #10-24NC	2	
9	0100035	Loctite #222 (Not Shown)	A/R	
10	4751000	Flatwasher #10	2	
11	3941406	Screw, Self-Tapping 1/4" x 3/4" (2033E/2046E/2646E Only)	1	
12	1320224	Clamp, Cable (2033E/2046E/2646E Only)	1	
		----- Replacement Blade Options - Service Only:	A/R	
	0257192	1532E		
	0257193	1932E		
	0257190	2033E/2046E		
	0257191	2646E		

SECTION 3 SCISSOR ARMS

SECTION 3 SCISSOR ARMS

FIGURE 3-12. PLATFORM DESCENT DELAY SYSTEM INSTALLATION - 1532E/ 1932E/2033E/2046E/ 2646E BUILT S/N 30542 TO PRESENT (CONTINUED)

FIG & ITEM #	PART NUMBER	DESCRIPTION	QTY.	REV.

**S
E
C
T
I
O
N

3

S
C
I
S
S
O
R

A
R
M
S**

SECTION 4 PLATFORM

TABLE OF CONTENTS		
FIGURE	DESCRIPTION	PAGE
4-1	PLATFORM INSTALLATION -MANUALLY OPERATED EXTENSION	4-2
4-2	HANDRAILS AND EXTENSION INSTALLATION - STANDARD RAILS (MANUALLY OPERATED) (1532E/1932E)	4-8
4-3	HANDRAILS AND EXTENSION INSTALLATION - STANDARD RAILS (MANUALLY OPERATED) (2033E/2046E/2646E/2658E)	4-12
4-4	HANDRAILS AND EXTENSION INSTALLATION - FOLDDOWN RAILS (MANUALLY OPERATED) (1532E/1932E)	4-18
4-5	HANDRAILS AND EXTENSION INSTALLATION - FOLDDOWN RAILS (MANUALLY OPERATED) (2033E/2046E/2646E/2658E)	4-24
4-6	PLATFORM CONSOLE BOX ASSEMBLY	4-30
4-7	CONTROLLER ASSEMBLY - OEM	4-34
4-8	CONTROLLER ASSEMBLY - PQ	4-36

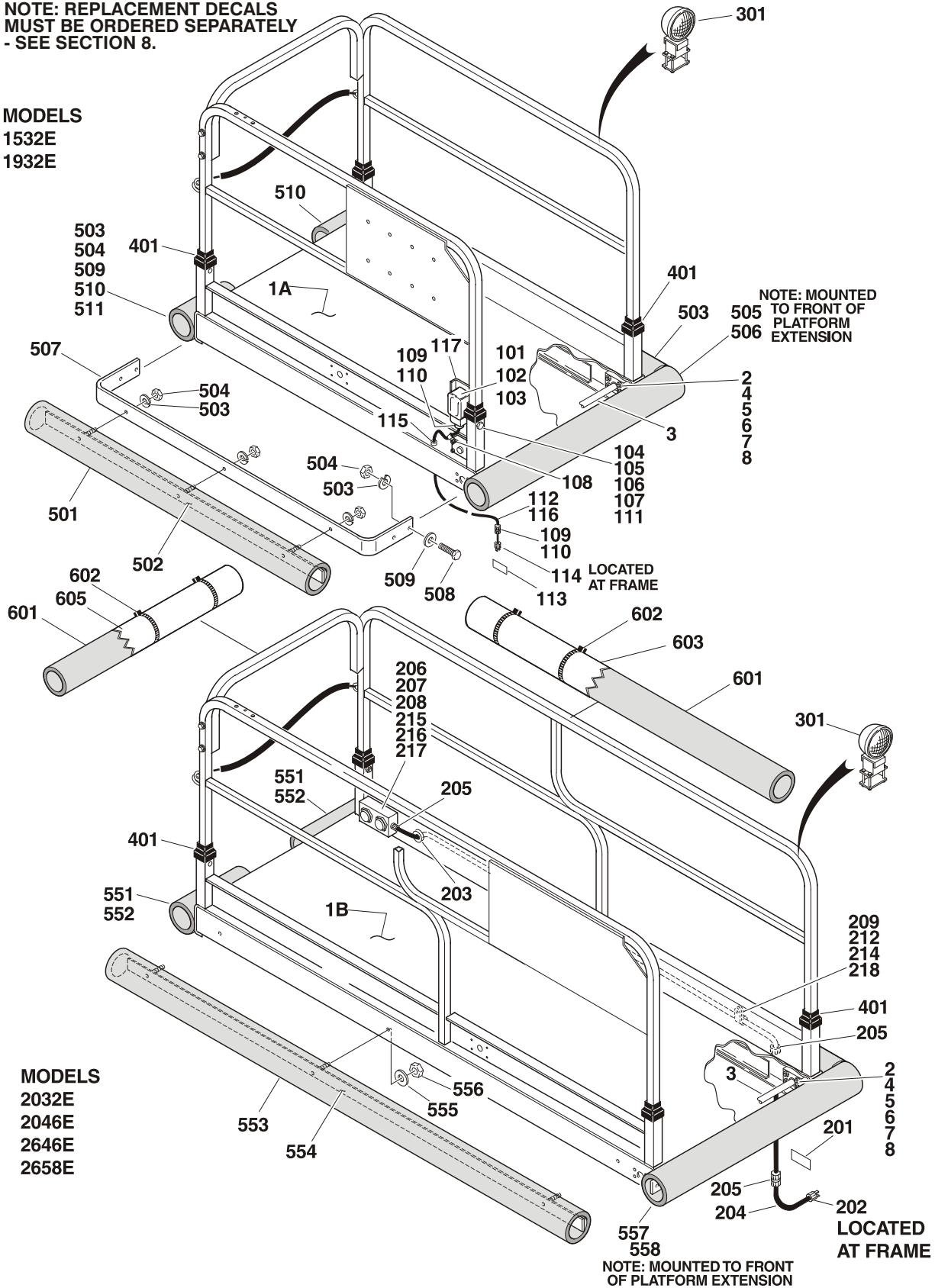
SECTION 4 PLATFORM

SECTION 4 PLATFORM

FIGURE 4-1. PLATFORM INSTALLATION - MANUALLY OPERATED EXTENSION

NOTE: REPLACEMENT DECALS
MUST BE ORDERED SEPARATELY
- SEE SECTION 8.

MODELS
1532E
1932E



SECTION 4 PLATFORM

MODELS
2032E
2046E
2646E
2658E

SECTION 4 PLATFORM

FIGURE 4-1. PLATFORM INSTALLATION - MANUALLY OPERATED EXTENSION

FIG & ITEM #	PART NUMBER	DESCRIPTION	QTY.	REV.
		PLATFORM INSTALLATIONS		
	0256410	1532E Standard Platform	Ref.	B
	0256842	1532E Platform with Anchor Rings	Ref.	A
	0256614	1932E Standard Platform	Ref.	2
	0256845	1932E Platform with Anchor Rings	Ref.	2
	0256411	2033E Standard Platform	Ref.	3
	0256841	2033E Platform with Anchor Rings	Ref.	2
	0256812	2046E/2646E Standard Platform	Ref.	2
	0256840	2046E/2646E Platform with Anchor Rings	Ref.	2
	0256413	2658E Standard Platform	Ref.	2
	0256839	2658E Platform with Anchor Rings	Ref.	2
1		Platform Weldment Options:	1	
1A	3510536	1532E/1932E Standard Platform		
1A	3510553	1532E/1932E Platform with Anchor Rings		
1A	3510532	2033E Standard Platform		
1A	3510551	2033E Platform with Anchor Rings		
1B	3510531	2046E/2646E Standard Platform		
1B	3510549	2046E/2646E Platform with Anchor Rings		
1B	3510530	2658E Standard Platform		
1B	3510547	2658E Platform with Anchor Rings		
2	3340629	Block, Slide Pad	4	
3	3421895	Pin, Attach	2	
4		Bushing, Spacer Options:	4	
	0962070	1532E		
	0962073	1932E/2033E Prior to S/N 42492		
	0962154	1932E/2033E S/N 42492 to Present		
	0962069	2046E/2646E/2658E Prior to S/N 42492		
	0962154	2046E/2646E/2658E S/N 42492 to Present		
5	0641522	Bolt 5/16"-18NC x 2 3/4"	8	
6	4751500	Flatwasher 5/16" Regular	8	
7	4711500	Flatwasher 5/16" Narrow	8	
8	3311505	Nut 5/16"-18NC	8	
		OPTIONAL RECEPTACLE INSTALLATIONS		
	0256052	110V (1532E)	Ref.	7
	0256053	110V (1932E)	Ref.	7
	0256711	220V (1532E Built Prior to S/N 39302)	Ref.	4
	0258169	220V (1532E Built S/N 39302 to Present)	Ref.	2
	0256712	220V (1932E Built Prior to S/N 39302)	Ref.	4
	0258170	220V (1932E Built S/N 39302 to Present)	Ref.	2
101	Supply Locally	Box, Receptacle	1	
102	Supply Locally	Receptacle	1	
103	Supply Locally	Cover, Weatherproof	1	
104	0641420	Bolt 1/4"-20NC x 2 1/2"	1	
105	4751400	Flatwasher 1/4"	3	
106	4761400	Lockwasher 1/4" (Prior to S/N 37715)	4	

SECTION 4 PLATFORM

SECTION 4 PLATFORM

FIGURE 4-1. PLATFORM INSTALLATION - MANUALLY OPERATED EXTENSION (CONTINUED)

FIG & ITEM #	PART NUMBER	DESCRIPTION	QTY.	REV.
107	3311401	Nut 1/4"-20NC (Prior to S/N 37715)	3	
	3311405	Locknut 1/4"-20NC (S/N 37715 to Present)	3	
108	1320061	Clamp	1	
109		Connector, Terminal Options:	3	
	Use 4460051	Prior to S/N 46829 (was p/n 4460049)		
	4460051	S/N 46829 to Present		
110	0960407	Bushing, Reducer (Prior to S/N 46829 Used with P/N 4460049)	3	
111	0641406	Bolt 1/4"-20NC x 3/4"	2	
112	1060308	Cable, Electrical - 12/3	A/R	
		1532E	28ft/8.5m	
		1932E	35ft/10.7m	
113		Nameplate Options:	1	
	Not Available	120V/50Hz		
	3252507	220V-50/60Hz		
114	Supply Locally	Plug, Connector	1	
115	2540002	Grommet (Prior to S/N 37715)	3	
116	4240033	Tie-Strap	A/R	
117	3535681	Plate, Mounting - Receptacle Box	1	
118	4460315	Terminal (Not Shown)	3	
		OPTIONAL RECEPTACLE INSTALLATIONS		
	0256505	110V (2033E)	Ref.	6
	0256506	110V (2046E)	Ref.	6
	0256507	110V (2646E/2658E)	Ref.	4
	0256520	220V (2033E)	Ref.	7
	0256521	220V (2046E)	Ref.	5
	0256522	220V (2646E/2658E)	Ref.	5
201		Nameplate Options:	1	
	Not Available	120V/50Hz		
	3251242	220V-50/60Hz		
202	Supply Locally	Plug, Connector	1	
203	2540002	Grommet	A/R	
204	1060308	Cable, Electrical - 12/3	A/R	
		2033E/2046E	42ft/13m	
		2646E/2658E	45ft/14m	
205	4460051	Connector, Strain Relief	2	
206	Supply Locally	Box, Receptacle	1	
207	Supply Locally	Receptacle	1	
208	Supply Locally	Cover, Weatherproof	1	
209	1320061	Clamp	4	
210 to 211	Not Used			
212	4751500	Flatwasher 5/16"	A/R	
213	Not Used			
214	3311505	Locknut 5/16"-18NC	A/R	
215	0721004	Bolt #10-16 x 1/2" (Prior to S/N 42560)	A/R	
	3900256	Bolt #10-24NC x 1 1/4" (S/N 42560 to Present)	A/R	
216	4751000	Flatwasher #10	A/R	

SECTION 4 PLATFORM

SECTION 4 PLATFORM

FIGURE 4-1. PLATFORM INSTALLATION - MANUALLY OPERATED EXTENSION (CONTINUED)

FIG & ITEM #	PART NUMBER	DESCRIPTION	QTY.	REV.
217	4761000	Lockwasher #10	A/R	
218	0641505	Bolt 5/16"-18NC x 3/4"	3	
219	4240033	Tie-Strap (Not Shown - Located On Arms)	16	
220	2820025	Guard, Plastic Spring (Not Shown)	1ft/.3m	
221	4460315	Terminal (Not Shown)	3	
		OPTIONAL WORKLIGHTS INSTALLATIONS	Ref.	
	0255963	1532E	Ref.	5
	0258213	1532E with Fold Down Rails	Ref.	1
	0256200	1932E	Ref.	4
	0258214	1932E with Fold Down Rails	Ref.	1
	0256198	2033E/2046E	Ref.	C
	0258215	2033E/2046E with Fold Down Rails	Ref.	1
	0256199	2646E/2658E	Ref.	C
	0258216	2646E/2658E with Fold Down Rails	Ref.	1
301	2920093	Worklight Assembly	2	
	7016630	Bulb, Replacement (1 Per Light)	2	
	0901930	Bracket, Mounting	2	
	1060341	Cable, Electrical - 16/2 (Not Shown)	A/R	
		1532E	40ft/12.2m	
		1932E	48ft/14.6m	
		2033E/2046E	54ft/16.5m	
		2646E/2658E	61ft/18.6m	
	4360164	Breaker, Circuit - 5 Amp (Not Shown)	1	
	0256609	HANDRAIL BOOTS INSTALLATION	Ref.	-
401	0840035	Boot, Handrail	4	
		BUMPER PADS INSTALLATIONS		
	0254171	1532E/1932E	Ref	A/A
	0257398	2033E	Ref	1/A
501	0940060	Pad, Bumper (Side) (1532E/1932E)	2	
	0940057	Pad, Bumper (Side) (2033E)	2	
502	4844586	Bar, Bumper (Side Outer) (1532E/1932E)	2	
	4844414	Bar, Bumper (Side Outer) (2033E)	2	
503	4761400	Lockwasher 1/4"	16	
504	3311401	Nut 1/4"-20NC	20	
505	0940061	Pad, Bumper (Front)	1	
506	4844585	Rail, Bumper (Front Outer)	1	
507	0362273	Rail, Bumper (Inner) (1532E/1932E)	2	
	0362666	Rail, Bumper (Inner) (2033E)	2	
508	0641407	Bolt 1/4"-20NC x 7/8" (1532E/1932E)	4	
	0641412	Bolt 1/4"-20NC x 1 1/2" (2033E)	4	
509	4751400	Flatwasher 1/4"	13	
510	0940065	Pad, Bumper (Rear)	2	
511	0641416	Bolt 1/4"-20NC x 2"	4	

SECTION 4 PLATFORM

SECTION 4 PLATFORM

FIGURE 4-1. PLATFORM INSTALLATION - MANUALLY OPERATED EXTENSION (CONTINUED)

FIG & ITEM #	PART NUMBER	DESCRIPTION	QTY.	REV.
		BUMPER PADS INSTALLATIONS		
	0257367	2046E/2646E	Ref	2/B
	0257397	2658E	Ref	2/A
551	0940080	Pad, Bumper (Rear) (2046E/2646E)	2	
	0940081	Pad, Bumper (Rear) (2658E)	2	
552	4845496	Bar, Bumper (Rear) (2046E/2646E)	2	
	4845497	Bar, Bumper (Rear) (2658E)	2	
553	0940057	Pad, Bumper (Side)	2	
554	4844414	Rail, Bumper (Side)	2	
555	4751400	Flatwasher 1/4"	13	
556	3311405	Locknut 1/4"-20NC	13	
557	0940079	Pad, Bumper (Front) (2046E/2646E)	1	
	0940082	Pad, Bumper (Front) (2658E)	1	
558	4845495	Rail, Bumper (Front) (2046E/2646E)	1	
	4845498	Rail, Bumper (Front) (2658E)	1	
		TOP RAIL PADDING INSTALLATIONS (OPTIONAL) (S/N 42423 TO PRESENT)	Ref.	
	0257664	2033E/2046E/2646E/2658E without Vinyl Covers	Ref	2A
	0258058	2033E with Vinyl Covers	Ref	1A
	0258018	2046E/2646E with Vinyl Covers	Ref	1/A
	0258019	2658E with Vinyl Covers	Ref	1/A
601	3340612	Pad	24ft/7.3m	
602	4240018	Tie Straps	A/R	
603	1670849	Cover, Sides Options: Without Vinyl Covers With Vinyl Covers	2	
604		Cover, Front Options: (Not Shown) Without Vinyl Covers	2	
	Not Required	2033E/2046E/2646E with Vinyl Covers		
	1670856	2658E with Vinyl Covers		
	1670847			
605		Cover, Rear Options: Without Vinyl Covers	1	
	Not Required	2033E/2046E/2646E with Vinyl Covers		
	1670857	2658E with Vinyl Covers		
	1670848			

SECTION 4 PLATFORM

SECTION 4 PLATFORM

FIGURE 4-1. PLATFORM INSTALLATION - MANUALLY OPERATED EXTENSION (CONTINUED)

FIG & ITEM #	PART NUMBER	DESCRIPTION	QTY.	REV.

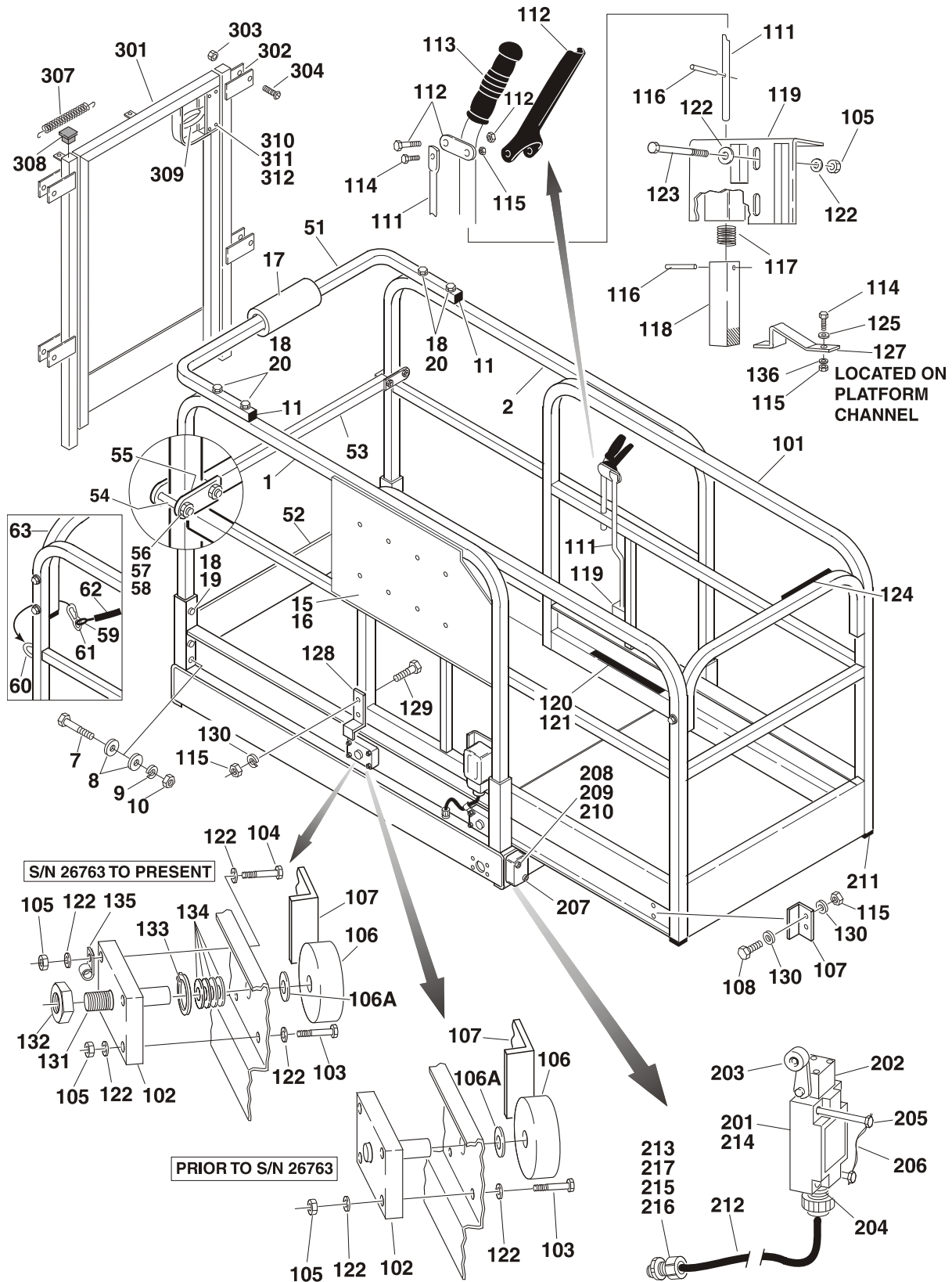
**S
E
C
T
I
O
N

4

P
L
A
T
F
O
R
M**

SECTION 4 PLATFORM

FIGURE 4-2. HANDRAILS AND EXTENSION INSTALLATION - STANDARD RAILS (MANUALLY OPERATED) (1532E/1932E)



SECTION 4 PLATFORM

FIGURE 4-2. HANDRAILS AND EXTENSION INSTALLATION - STANDARD RAILS (MANUALLY OPERATED) (1532E/1932E)

FIG & ITEM #	PART NUMBER	DESCRIPTION	QTY.	REV.
		STANDARD HANDRAILS INSTALLATIONS (STANDARD PARTS)	Ref.	
1	3640750	Handrail - Right Side (Standard) (Prior to S/N 38569)	1	
	3641209	Handrail - Right Side (Standard) (S/N 38569 to Present)	1	
2	3640751	Handrail - Left Side (Standard)	1	
3 to 6	Not Used			
7	0641424	Bolt 1/4"-20NC x 3" (Prior to S/N 38569)	A/R	
	0641420	Bolt 1/4"-20NC x 2 1/2" (S/N 38569 to Present)	A/R	
8	4751400	Flatwasher 1/4" Wide	A/R	
9	4761400	Lockwasher 1/4" (Prior to S/N 38569)	A/R	
10	3311401	Nut 1/4"-20NC (Prior to S/N 38569)	A/R	
	3311405	Locknut 1/4"-20NC (S/N 38569 to Present)	A/R	
11	3520072	Plug, Cap	2	
12 to 14	Not Used			
15	3570381	Plate, Placard	1	
16	3820019	Pop Rivet	6	
17	3340612	Pad (S/N 38569 to Present)	1.5ft/.5m	
18	3900184	Screw, Button Head #10-24NC x 5/8"	4	
19	3300375	Nut, Joint Connector	4	
20	3300374	Nut, Joint Connector	4	
		STANDARD HANDRAILS INSTALLATIONS - CE SPEC (VARIABLE PARTS)		
	0251973	CE Spec Prior To S/N 38569	Ref.	C
	0257683	CE Spec S/N 38569 To Present	Ref.	4
51	4565285	Tube - Rear	1	
52	3533370	Kickplate - Rear	1	
53	2640614	Gate, Lift	1	
54	0961833	Bushing	4	
55	4420055	Tape	6in/15cm	
56	3911034	Screw, Machine #10-24NC x 2 1/4"	4	
57	4751000	Flatwasher #10	4	
58	3311005	Locknut #10-24NC	4	
		STANDARD HANDRAILS INSTALLATIONS - AUSTRALIAN SPEC (VARIABLE PARTS)		
	0251879	Australian Spec Prior To S/N 38569	Ref.	E
	0257681	Australian Spec S/N 38569 To Present	Ref.	4
59	1260136	Chain	2 ft./.6m	
60	3010088	Link	2	
61	Use 1001101076	Snap Latch Repair Kit (Includes Item 60) (was p/n 2940064)	1	
62	2820097	Tubing, Vinyl	2 ft./.6m	

SECTION 4 PLATFORM

SECTION 4 PLATFORM

FIGURE 4-2. HANDRAILS AND EXTENSION INSTALLATION - STANDARD RAILS (MANUALLY OPERATED) (1532E/1932E) (CONTINUED)

FIG & ITEM #	PART NUMBER	DESCRIPTION	QTY.	REV.
63	4565201	Tube - Rear	1	
		PLATFORM EXTENSION INSTALLATIONS		
	0252738	CE Spec with Power Down	Ref.	E
	0257282	CE Spec with Gravity Down	Ref.	3
	0252737	Australian Spec with Power Down	Ref.	E
	0257281	Australian Spec with Gravity Down	Ref.	3
101		Extension Weldment	1	
	3510493	CE Spec with Power Down		
	3510568	CE Spec with Gravity Down		
	3510492	Australian Spec with Power Down		
	3510567	Australian Spec with Gravity Down		
102	4843706	Mount, Roller (Prior to S/N 26763)	4	
	3537619	Mount, Roller (S/N 26763 to Present)	4	
103	0641510	Bolt 5/16"-18NC x 1 1/4"	15	
104	0641512	Bolt 5/16"-18NC x 1 1/2"	1	
105	3311505	Locknut 5/16"-18NC	18	
106	3860052	Roller (Prior to S/N 26763)	4	
	3860059	Roller (S/N 26763 to Present)	4	
106A	4712200	Shim, Flatwasher (Steel)	A/R	
	4740066	Shim, Flatwasher (Thin Bronze)	A/R	
107	0181684	Stop, Angle	4	
108	0641406	Bolt 1/4"-20NC x 3/4"	1'	
109 to 110	Not Used			
111	3841074	Rod, Release	1	
112	2980113	Lever, Release	1	
113	2560088	Grip, Handle	1	
114	0641405	Bolt 1/4"-20NC x 5/8"	12	
115	3311405	Locknut 1/4"-20NC	13	
116	3422723	Rollpin 1/8" x 7/8"	2	
117	4160078	Spring	1	
118	0361912	Block, Latch	1	
119	2940061	Latch, Weldment	1	
120	3251852	Nameplate - Capacity (Prior to S/N 38573)	1	
121	3820001	Rivet (Prior to S/N 38573)	2	
122	4751500	Flatwasher 5/16"	20	
123	0641516	Bolt 5/16"-18NC x 2"	2	
124	3252136	Nameplate-Control Box Location (Prior to S/N 38573)	A/R	
125	4711400	Flatwasher 1/4" Narrow	4	
126	Not Used			
127	0901830	Bracket, Latch	2	
128	0901906	Bracket, Retaining (Prior to S/N 38573)	2	
129	0641414	Bolt 1/4"-20NC x 1 3/4" (Prior to S/N 38573)	4	
130	4751400	Flatwasher 1/4" (Prior to S/N 38573)	8	
131	3841233	Rod, Roller Support	4	
132	3312202	Nut, Jam 3/4"-10NC (Prior to S/N 43782)	4	
	3322202	Nut, Jam 3/4"-10NC (S/N 43782 to Present)	4	

SECTION 4 PLATFORM

SECTION 4 PLATFORM

FIGURE 4-2. HANDRAILS AND EXTENSION INSTALLATION - STANDARD RAILS (MANUALLY OPERATED) (1532E/1932E) (CONTINUED)

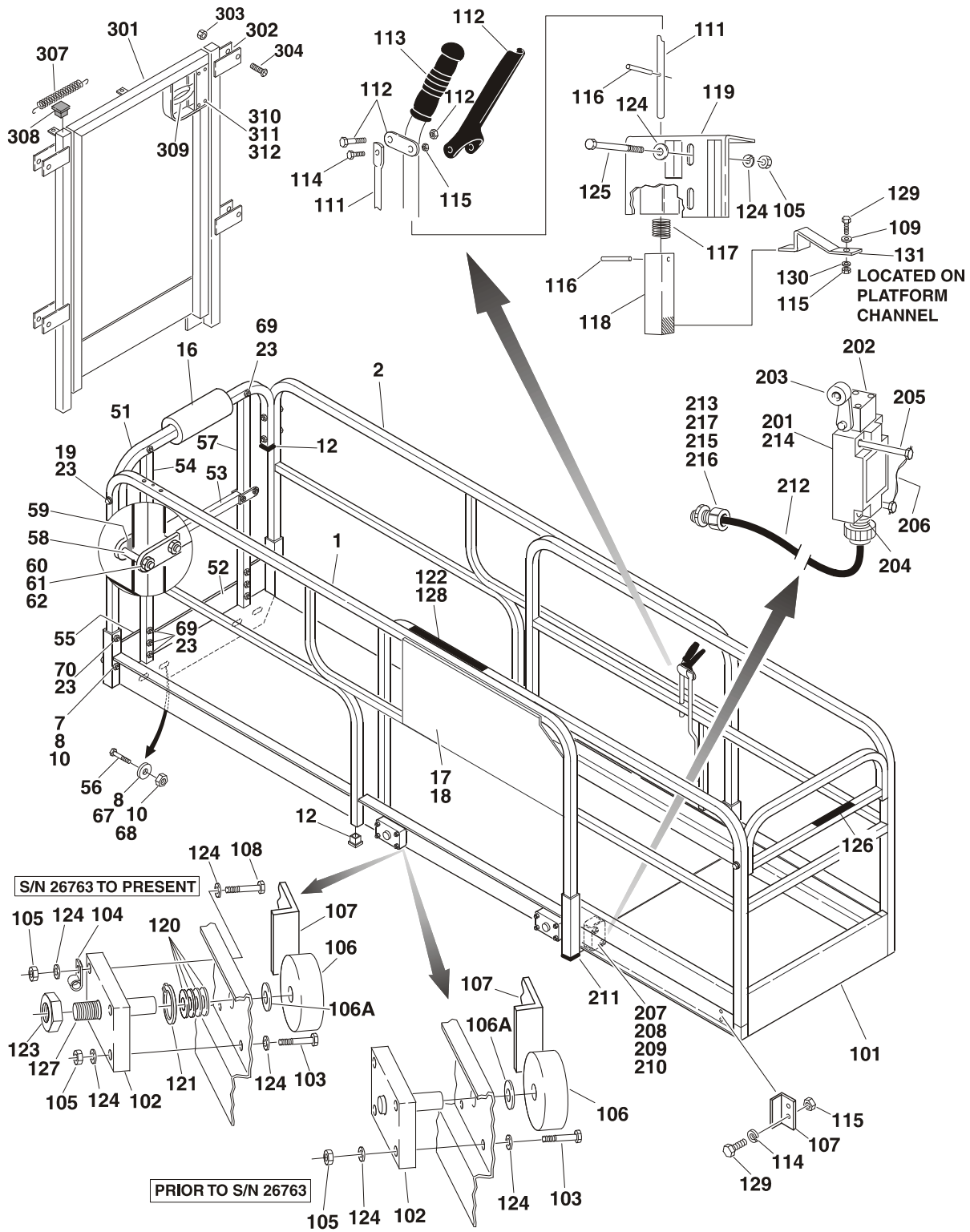
FIG & ITEM #	PART NUMBER	DESCRIPTION	QTY.	REV.
133	3760348	Ring, Retaining	4	
134	4752200	Flatwasher 3/4"	4	
135	1320224	Clamp (S/N 33685 to Present)	1	
136	4791400	Starwasher (S/N 33685 to Present)	4	
	2901573	----- Kit, Extension Latch (Includes Items 111,116,117, 118,119 and 127)	1	
		OPTIONAL PLATFORM EXTENSION LIMIT SWITCHES INSTALLATION		
	0256667	1532E	Ref.	—
	0256664	1932E	Ref.	—
201	4360277	Switch, Limit	1	
202	4360236	Actuator, Switch	1	
203	4360278	Roller and Arm	1	
204	4460052	Connector, Strain Relief	1	
205	3900168	Screw, Special	2	
206	4920140	Lockwire	2	
207	3534995	Plate, Mounting	1	
208	3931416	Bolt, Socket Head 1/4"-20NC x 1"	2	
209	3311401	Nut 1/4"-20NC	2	
210	4761400	Lockwasher 1/4"	2	
211	3520072	Plug, Cap	1	
212	1060341	Cable, Electrical - 16/2	A/R	
		1532E	40ft/12m	
		1932E	46ft/14m	
213	4460320	Plug	1	
214	4460069	Fork	2	
215	0960239	Bushing	1	
216	3300047	Locknut, Conduit	1	
217	4460267	Pin	2	
	0252973	SELF-CLOSING ACCESS GATE INSTALLATION (CE SPEC - OPTIONAL / AUSTRALIAN SPEC - STANDARD)	Ref.	5/E
301	4844100	Gate Weldment	1	
302	4844104	Rail	1	
303	3300373	Nut, Joint Connector	4	
304	3900184	Screw, Button Head	4	
305 to 306	Not Used			
307	4160028	Spring	1	
308	3520072	Plug, Cap	4	
309	2940074	Latch	1	
310	3911014	Screw #10-24NC x 7/8"	4	
311	3311005	Locknut #10-24NC	4	
312	4751000	Flatwasher #10	4	

SECTION 4 PLATFORM

SECTION 4 PLATFORM

FIGURE 4-3. HANDRAILS AND EXTENSION INSTALLATION -STANDARD RAILS (MANUALLY OPERATED) (2033E/2046E/2646E/2658E)

SECTION 4 PLATFORM



SECTION 4 PLATFORM

FIGURE 4-3. HANDRAILS AND EXTENSION INSTALLATION -STANDARD RAILS (MANUALLY OPERATED) (2033E/2046E/2646E/2658E)

FIG & ITEM #	PART NUMBER	DESCRIPTION	QTY.	REV.
		STANDARD HANDRAILS INSTALLATION (STANDARD PARTS)	Ref.	
1	3640727	Handrail - Right Side (Prior to S/N 38569)	1	
	3641210	Handrail - Right Side (S/N 38569 to Present)	1	
2	3640728	Handrail - Left Side (Standard)	1	
3 to 6	Not Used			
7	0641424	Bolt 1/4"-20NC x 3" (Prior to S/N 38569)	A/R	
	0641420	Bolt 1/4"-20NC x 2 1/2" (S/N 38569 to Present)	A/R	
8	4751400	Flatwasher 1/4" Wide	A/R	
9	Not Used			
10	3311405	Locknut 1/4"-20NC	A/R	
11	Not Used			
12	3520072	Plug, Cap	4	
13 to 15	Not Used			
16	3340612	Pad (S/N 38569 to Present)	1.5ft/.5m	
17	3570381	Plate, Placard	1	
18	3820019	Pop Rivet	6	
19	3300375	Connector, Joint 2 3/8"	4	
20 to 22	Not Used			
23	3900184	Screw, Button Head #10-24NC x 5/8"	16	
		STANDARD HANDRAILS INSTALLATION - AUSTRALIAN SPEC (VARIABLE PARTS)		
	0251304	2033E Built Prior To S/N 38569 (Not Shown)	Ref.	F
	0257685	2033E Built S/N 38569 to Present (Not Shown)	Ref.	4
	0251393	2046E/2646E Built Prior To S/N 38569	Ref.	H
	0257695	2046E/2646E Built S/N 38569 to Present	Ref.	4
	0251395	2646E/2658E Built Prior To S/N 38569	Ref.	H
	0257696	2646E/2658E Built S/N 38569 to Present	Ref.	4
51		Tube, Handrail - Rear Options:	1	
	4565201	2033E		
	4565202	2046E/2646E		
	4565202	2646E/2658E		
52 to 53	Not Required			
54		Tube, Handrail - Rear Vertical Right Side Options:	A/R	
	Not Required	2033E	0	
	3640713	2046E/2646E/2646E/2658E	1	
55	Not Required			
56	0641608	Bolt 3/8"-16NC x 1"	A/R	
57		Tube, Handrail - Rear Vertical Right Side Options:	A/R	
	Not Required	2033E	0	
	3640713	2046E/2646E/2646E/2658E	1	
58 to 62	Not Required			
63	1260136	Chain (Not Shown)	2 ft./.6m	
64	2820297	Tubing, Mesh (Not Shown)	2ft./.6m	

SECTION 4 PLATFORM

SECTION 4 PLATFORM

FIGURE 4-3. HANDRAILS AND EXTENSION INSTALLATION -STANDARD RAILS (MANUALLY OPERATED) (2033E/2046E/2646E/2658E) (CONTINUED)

FIG & ITEM #	PART NUMBER	DESCRIPTION	QTY.	REV.
65	3010088	Link (Not Shown)	2	
66	Use 1001101076	Snap Latch Repair Kit (Includes Item 65) (was p/n 2940064)	1	
67	4751600	Flatwasher 3/8"	A/R	
68	3311605	Locknut 3/8"-16NC	A/R	
69	3300373	Nut, Joint Connector 1 1/4"	A/R	
70	Not Required			
STANDARD HANDRAILS INSTALLATION - CE SPEC (VARIABLE PARTS)				
	0251601	2033E Built Prior To S/N 38569 (Not Shown)	Ref.	D
	0257688	2033E Built S/N 38569 to Present (Not Shown)	Ref.	2
	0251603	2046E/2646E Built Prior To S/N 38569	Ref.	E
	0257717	2046E/2646E Built S/N 38569 to Present	Ref.	3
	0251605	2646E/2658E Built Prior To S/N 38569	Ref.	E
	0257718	2646E/2658E Built S/N 38569 to Present	Ref.	2
51		Tube, Handrail - Rear Options:	1	
	4565201	2033E		
	4565202	2046E/2646E		
	4565203	2646E/2658E		
52	3533370	Kickplate	1	
53	3640614	Gate, Lift	1	
54		Tube, Handrail - Rear Vertical Right Side Options:	A/R	
	Not Required	2033E	0	
	3640731	2046E/2646E/2646E/2658E	1	
55		Kickplate - Rear Options:	1	
	Not Required	2033E		
	3534742	2046E/2646E		
	3534743	2646E/2658E		
56	0641408	Bolt 1/4"-20NC x 1" (Prior to S/N 38569)	A/R	
	0641608	Bolt 3/8"-16NC x 1" (S/N 38569 to Present)	A/R	
57		Tube, Handrail - Rear Vertical Right Side Options:	A/R	
	Not Required	2033E	0	
	3640730	2046E/2646E/2646E/2658E	1	
58	0961833	Bushing	4	
59	4420055	Tape	6in/15cm	
60	3911034	Screw, Machine #10-24NC x 2 1/4"	4	
61	4751000	Flatwasher #10	4	
62	3311005	Locknut #10-24NC	4	
63 to 66	Not Required			
67	4751600	Flatwasher 3/8"	A/R	
68	3311605	Locknut 3/8"-16NC	A/R	
69	3300373	Nut, Joint Connector 1 1/4"	A/R	
70	3300374	Nut, Joint Connector 1 7/8"	A/R	
	2901573	Kit, Extension Latch (Includes Items 111, 116-119 & 131)	1	

SECTION 4 PLATFORM

SECTION 4 PLATFORM

FIGURE 4-3. HANDRAILS AND EXTENSION INSTALLATION -STANDARD RAILS (MANUALLY OPERATED) (2033E/2046E/2646E/2658E) (CONTINUED)

FIG & ITEM #	PART NUMBER	DESCRIPTION	QTY.	REV.
		PLATFORM EXTENSION INSTALLATIONS		
	0251202	2033E Australian Spec Power Down Machines	Ref.	G
	0257292	2033E Australian Spec Gravity Down Machines	Ref.	4
	0251249	2046E/2646E Australian Spec Power Down Machine	Ref.	F
	0257293	2046E/2646E Australian Spec Gravity Down Machine	Ref.	4
	0251250	2658E Australian Spec Power Down Machines	Ref.	F
	0257294	2658E Australian Spec Gravity Down Machines	Ref.	4
	0251634	2033E CE Spec Power Down Machines	Ref.	F
	0257295	2033E CE Spec Gravity Down Machines	Ref.	1
	0251635	2046E/2646E CE Spec Power Down Machine	Ref.	E
	0257296	2046E/2646E CE Spec Gravity Down Machine	Ref.	4
	0251636	2658E CE Spec Power Down Machines	Ref.	F
	0257297	2658E CE Spec Gravity Down Machines	Ref.	4
		Note: To determine Power or Gravity Down refer to Page A.		
101		Platform Extension Weldment Options: Australian Spec:	1	
	3510489	2033E Power Down Machines		
	3510571	2033E Gravity Down Machines		
	3510316	2046E and 2646E Power Down Machines		
	3510572	2046E and 2646E Gravity Down Machines		
	3510317	2658E Power Down Machines		
	3510573	2658E Gravity Down Machines		
		CE Spec:		
	3510490	2033E Power Down Machines		
	3510577	2033E Gravity Down Machines		
	3510325	2046E and 2646E Power Down Machines		
	3510578	2046E and 2646E Gravity Down Machines		
	3510326	2658E Power Down Machines		
	3510579	2658E Gravity Down Machines		
102	4843706	Mounting Weldment - Roller (Prior to (S/N26763)	4	
	3537619	Mounting Weldment - Roller (S/N26763 to Present)	4	
103	0641510	Bolt 5/16"-18NC x 1 1/4"	15	
104	1320224	Clamp (S/N26763 to Present)	1	
105	3311505	Locknut 5/16"-18NC	18	
106	3860052	Roller (Prior to (S/N26763)	4	
	3860059	Roller (S/N26763 to Present)	4	
106A	4712200	Shim, Flatwasher (Steel)	A/R	
	4740066	Shim, Flatwasher (Thin Bronze)	A/R	
107	0181684	Angle, Stop	4	
108	0641512	Bolt 5/16"-18NC x 1 1/2" (S/N26763 to Present)	1	
109	4711400	Flatwasher 1/4" Narrow	4	
110	Not Used			
111	3841074	Rod, Release	1	
112	2980113	Release Lever Assembly	1	

SECTION 4 PLATFORM

SECTION 4 PLATFORM

FIGURE 4-3. HANDRAILS AND EXTENSION INSTALLATION -STANDARD RAILS (MANUALLY OPERATED) (2033E/2046E/2646E/2658E) (CONTINUED)

FIG & ITEM #	PART NUMBER	DESCRIPTION	QTY.	REV.
113	2560088	Grip, Handle	1	
114	0641406	Bolt 1/4"-20NC x 3/4"	1	
115	3311405	Locknut 1/4"-20NC	13	
116	3422723	Rollpin 1/8" x 7/8"	2	
117	4160078	Spring	1	
118	0361912	Bar, Latch	1	
119	2940061	Latch Weldment	1	
120	4752200	Flatwasher 3/4" (S/N26763 to Present)	4	
121	3760348	Ring, Retaining (S/N26763 to Present)	4	
122		Nameplate - Capacity Options:	1	
	3252080	CE Spec		
	3251852	Australian Spec		
123	3312202	Nut, Jam 3/4"-10NC (S/N26763 to S/N 43782)	4	
	3322202	Nut, Jam 3/4"-10NC (S/N43782 to Present)	4	
124	4751500	Flatwasher 5/16"	20	
125	0641516	Bolt 5/16"-18NC x 2"	2	
126	3252136	Nameplate -Control Box Location (Prior to S/N38530)	A/R	
127	3841233	Rod, Roller Support (S/N26763 to Present)	4	
128	3820001	Rivet (Prior to S/N 38530)	4	
129	0641405	Bolt 1/4"-20NC x 5/8"	12	
130	4791400	Starwasher	4	
131	0901830	Bracket, Latch	2	
		OPTIONAL PLATFORM EXTENSION LIMIT SWITCHES INSTALLATION		
	0256664	2033E/2646E	Ref.	—
	0256668	2646E/2658E	Ref.	—
201	4360277	Switch, Limit	1	
202	4360236	Actuator, Switch	1	
203	4360278	Roller and Arm	1	
204	4460052	Connector, Strain Relief	1	
205	3900168	Screw, Special	2	
206	4920140	Lockwire	2	
207	3534995	Plate, Mounting	1	
208	3931416	Bolt, Socket Head 1/4"-20NC x 1"	2	
209	3311401	Nut 1/4"-20NC	2	
210	4761400	Lockwasher 1/4"	2	
211	3520072	Plug, Cap	1	
212	1060341	Cable, Electrical - 16/2	A/R	
		2033E/2646E	46ft/14m	
		2646E/2658E	54ft/16.5m	
213	4460320	Plug	1	
214	4460069	Fork	2	
215	0960239	Bushing	1	
216	3300047	Locknut, Conduit	1	
217	4460267	Pin	2	

SECTION 4 PLATFORM

SECTION 4 PLATFORM

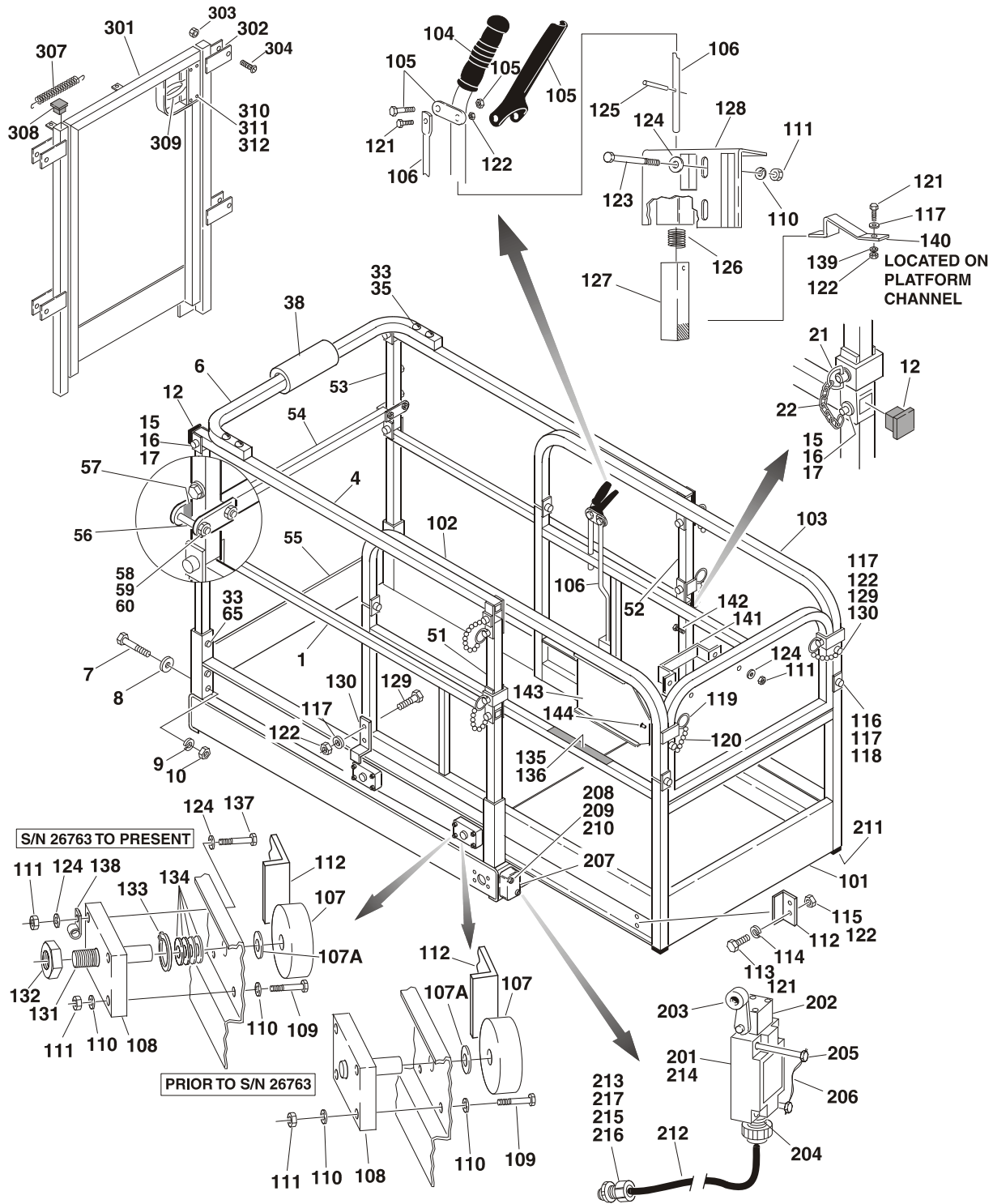
FIGURE 4-3. HANDRAILS AND EXTENSION INSTALLATION -STANDARD RAILS (MANUALLY OPERATED) (2033E/2046E/2646E/2658E) (CONTINUED)

FIG & ITEM #	PART NUMBER	DESCRIPTION	QTY.	REV.
	0252973	SELF-CLOSING ACCESS GATE INSTALLATION (CE SPEC - OPTIONAL / AUSTRALIAN SPEC - STANDARD)	Ref.	5/E
301	4844100	Gate Weldment	1	
302	4844104	Rail	1	
303	3300373	Nut, Joint Connector	4	
304	3900184	Screw, Button Head	4	
305 to 306	Not Used			
307	4160028	Spring	1	
308	3520072	Plug, Cap	4	
309	2940074	Latch	1	
310	3911014	Screw #10-24NC x 7/8"	4	
311	3311005	Locknut #10-24NC	4	
312	4751000	Flatwasher #10	4	

SECTION 4 PLATFORM

SECTION 4 PLATFORM

FIGURE 4-4. HANDRAILS AND EXTENSION INSTALLATION - FOLDDOWN RAILS (MANUALLY OPERATED) (1532E/1932E)



SECTION 4 PLATFORM

SECTION 4 PLATFORM

FIGURE 4-4. HANDRAILS AND EXTENSION INSTALLATION - FOLDDOWN RAILS (MANUALLY OPERATED) (1532E/1932E)

FIG & ITEM #	PART NUMBER	DESCRIPTION	QTY.	REV.
		FOLDDOWN HANDRAILS INSTALLATION (STANDARD PARTS)	Ref.	
1	3640886	Rail Weldment - Lower Side	2	
2 to 3	Not Used			
4	3640885	Rail Weldment - Upper Side	2	
5	Not Used			
6	4565285	Tube, Rail - Upper Rear Top	1	
7	0641424	Bolt 1/4"-20NC x 3" (Prior to S/N 38589)	4	
	0641420	Bolt 1/4"-20NC x 2 1/2" (S/N 38589 to Present)	4	
8	4751400	Flatwasher 1/4"	A/R	
9	4761400	Lockwasher 1/4" (Prior to S/N 38589)	4	
10	3311405	Locknut 1/4"-20NC	4	
11	Not Used			
12	3520072	Plug, Cap	A/R	
13 to 14	Not Used			
15	3430416	Pin, Clevis	8	
16	4711400	Flatwasher 1/4" Narrow	16	
17	3450203	Pin, Cotter	8	
18 to 20	Not Used			
21	3421913	Pin, Quick Release	4	
22	1260017	Chain	28in/71cm	
23 to 32	Not Used			
33	3900184	Screw, Button Head	4	
34	Not Used			
35	3300375	Nut, Connector	8	
36 to 37	Not Used			
38	3340612	Pad (S/N 46777 to Present)	1.5ft/.5m	
		FOLDDOWN HANDRAILS INSTALLATION (VARIABLE PARTS)	Ref.	
	0254234	CE Spec	Ref.	5
	0254236	Australian Spec	Ref.	5
51		Rail Weldment Options - Upper Front Right Side:	1	
	3640957	CE Spec		
	3640742	Australian Spec		
52		Rail Weldment Options - Upper Front Left Side:	1	
	3640958	CE Spec		
	3640753	Australian Spec		
53		Tube, Rail Options - Upper Rear Side:	2	
	4566514	CE Spec		
	4565191	Australian Spec Prior to S/N 38589		
	3641235	Australian Spec S/N 38589 to Present		
54		Gate, Drop Options:	1	
	3640614	CE Spec		
	Not Required	Australian Spec		

SECTION 4 PLATFORM

SECTION 4 PLATFORM

FIGURE 4-4. HANDRAILS AND EXTENSION INSTALLATION - FOLDDOWN RAILS (MANUALLY OPERATED) (1532E/1932E) (CONTINUED)

FIG & ITEM #	PART NUMBER	DESCRIPTION	QTY.	REV.
55	3533370 Not Required	Kickplate - Rear Options: CE Spec Australian Spec	1	
56	0961833 Not Required	Bushing Options: CE Spec Australian Spec	4	
57	4420055 Not Required	Tape Options: CE Spec Australian Spec	6in/15cm	
58	3911034	Screw, Machine #10-24NC x 2 1/4"	A/R	
59	4751000	Flatwasher #10	A/R	
60	3311005	Locknut #10-24NC	A/R	
61	Not Required 1260136	Chain Options (Not Shown): CE Spec Australian Spec	18in/46cm	
62	Not Required 2820097	Tubing, Mesh Options (Not Shown): CE Spec Australian Spec	2 ft./.6m	
63	Not Required 3010088	Link (Not Shown) CE Spec Australian Spec	2	
64	Not Required 2940056 Use 1001101076	Snap Latch Repair Kit Options (Not Shown): CE Spec Australian Spec Prior to S/N 38589 S/N 38589 to Present (Includes Item 63) (was p/n 2940064)	1	
65	3300374	Nut, Connector	A/R	
	0254238	PLATFORM EXTENSION INSTALLATIONS CE Spec Power Down Machines	Ref.	E
	0257285	CE Spec Gravity Down Machines	Ref.	5
	0254237	Australian Spec Power Down Machines	Ref.	E
	0257284	Australian Spec Gravity Down Machines	Ref.	4
		Note: To determine Power or Gravity Down refer to page A.		
101	3510496 3510570 3510495 3510569	Extension Weldment Options: CE Spec Power Down Machines CE Spec Gravity Down Machines Australian Spec Power Down Machines Australian Spec Gravity Down Machines	1	
102	3640888	Handrail - Right Side	1	
103	3640887	Handrail - Left Side	1	
104	2560088	Grip, Handle	1	
105	2980113	Release Lever Assembly	1	
106	3841201	Rod, Release	1	
107	3860052	Roller (Prior to S/N 26763)	4	
	3860059	Roller (S/N 26763 to Present)	4	

SECTION 4 PLATFORM

SECTION 4 PLATFORM

FIGURE 4-4. HANDRAILS AND EXTENSION INSTALLATION - FOLDDOWN RAILS (MANUALLY OPERATED) (1532E/1932E) (CONTINUED)

FIG & ITEM #	PART NUMBER	DESCRIPTION	QTY.	REV.
107A	4712200	Shim, Flatwasher (Steel)	A/R	
	4740066	Shim, Flatwasher (Thin Bronze)	A/R	
108	4843706	Mounting Weldment - Roller (Prior to S/N 26763)	4	
	3537619	Mounting Weldment - Roller (S/N 26763 to Present)	4	
109	0641510	Bolt 5/16"-18NC x 1 1/4"	15	
110	4761500	Lockwasher 5/16" (Prior to S/N 38573)	18	
111	3311501	Nut 5/16"-18NC (Prior to S/N 38573)	18	
	3311505	Locknut 5/16"-18NC (S/N 38573 to Present)	20	
112	0181684	Angle	4	
113	0641406	Bolt 1/4"-20NC x 3/4"	1	
114	4761400	Lockwasher 1/4"	12	
115	3311401	Nut 1/4"-20NC	8	
116	3430416	Pin, Clevis 1/4" x 2"	4	
117	4711400	Flatwasher 1/4" Narrow	10	
118	3450203	Pin, Cotter 1/16" x 3/4"	4	
119	3421913	Pin, Quick Release	2	
120	1260017	Chain (2 Lengths 7 in./17.8 Each)	14in./35.6cm	
121	0641406	Bolt 1/4"-20NC x 3/4" (Prior to S/N 38573)	1	
	0641405	Bolt 1/4"-20NC x 5/8" (S/N 38573 to Present)	12	
122	3311405	Locknut 1/4"-20NC	15	
123	0641516	Bolt 5/16"-18NC x 2"	2	
124	4751500	Flatwasher 5/16"	22	
125	3422723	Rollpin 1/8" x 7/8"	2	
126	4160078	Spring	1	
127	0361912	Bar, Latch	1	
128	2940061	Latch Weldment	1	
129	0641416	Bolt 1/4"-20NC x 2"	2	
130	0901906	Bracket, Retaining (Prior to S/N 38573)	2	
131	3841233	Rod, Roller Support (S/N26763 to Present)	4	
132	3312202	Nut, Jam 3/4"-10NC (S/N26763 to S/N 43782)	4	
	3322202	Nut, Jam 3/4"-10NC (S/N43782 to Present)	4	
133	3760348	Ring, Retaining (S/N26763 to Present)	4	
134	4752200	Flatwasher 3/4" (S/N26763 to Present)	4	
135		Nameplate - Extension Capacity Options:	1	
	3252080	CE Spec		
	3251852	Australian Spec		
136	3820001	Rivet (Prior to S/N 38573)	2	
137	0641512	Bolt 5/16"-18NC x 1 1/2" (S/N 38573 to Present)	1	
138	1320224	Clamp (S/N 38573 to Present)	1	
139	4791400	Starwasher (S/N 38573 to Present)	4	
140	0901830	Bracket, Latch	2	
141	4845814	Support Weldment (S/N 47925 to Present Only)	1	
142	0641505	Bolt 5/16"-18NC x 5/8" (S/N47925 to Present Only)	2	
143	3571010	Plate (S/N 47925 to Present Only)	1	
144	3820019	Rivet (S/N 47925 to Present Only)	5	
	2901571	Kit, Extension Latch (Includes Items 106, 125-128 & 140)		

SECTION 4 PLATFORM

SECTION 4 PLATFORM

FIGURE 4-4. HANDRAILS AND EXTENSION INSTALLATION - FOLDDOWN RAILS (MANUALLY OPERATED) (1532E/1932E) (CONTINUED)

FIG & ITEM #	PART NUMBER	DESCRIPTION	QTY.	REV.
		OPTIONAL PLATFORM EXTENSION LIMIT SWITCHES INSTALLATION		
	0256667	1532E	Ref.	—
	0256664	1932E	Ref.	—
201	4360277	Switch, Limit	1	
202	4360236	Actuator, Switch	1	
203	4360278	Roller and Arm	1	
204	4460052	Connector, Strain Relief	1	
205	3900168	Screw, Special	2	
206	4920140	Lockwire	2	
207	3534995	Plate, Mounting	1	
208	3931416	Bolt, Socket Head 1/4"-20NC x 1"	2	
209	3311401	Nut 1/4"-20NC	2	
210	4761400	Lockwasher 1/4"	2	
211	3520072	Plug, Cap	1	
212	1060341	Cable, Electrical - 16/2	A/R	
		1532E	40ft/12m	
		1932E	46ft/14m	
213	4460320	Plug	1	
214	4460069	Fork	2	
215	0960239	Bushing	1	
216	3300047	Locknut, Conduit	1	
217	4460267	Pin	2	
	0252973	SELF-CLOSING ACCESS GATE INSTALLATION (CE SPEC - OPTIONAL / AUSTRALIAN SPEC - STANDARD)	Ref.	5/E
301	4844100	Gate Weldment	1	
302	4844104	Rail	1	
303	3300373	Nut, Joint Connector	4	
304	3900184	Screw, Button Head	4	
305 to 306	Not Used			
307	4160028	Spring	1	
308	3520072	Plug, Cap	4	
309	2940074	Latch	1	
310	3911014	Screw #10-24NC x 7/8"	4	
311	3311005	Locknut #10-24NC	4	
312	4751000	Flatwasher #10	4	

SECTION 4 PLATFORM

SECTION 4 PLATFORM

FIGURE 4-4. HANDRAILS AND EXTENSION INSTALLATION - FOLDDOWN RAILS (MANUALLY OPERATED) (1532E/1932E) (CONTINUED)

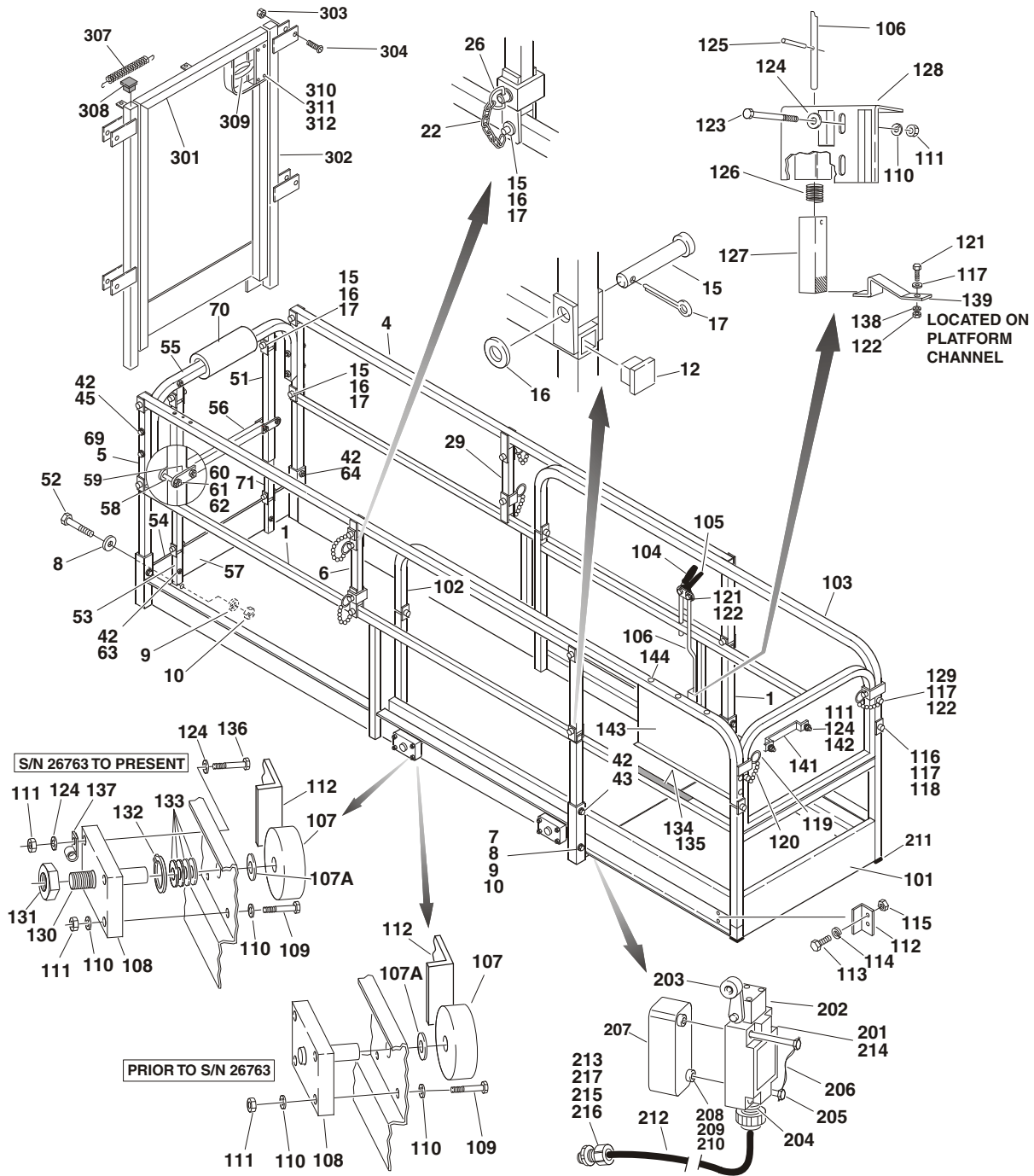
FIG & ITEM #	PART NUMBER	DESCRIPTION	QTY.	REV.

SECTION 4 PLATFORM

SECTION 4 PLATFORM

FIGURE 4-5.HANDRAILS AND EXTENSION INSTALLATION - FOLDDOWN RAILS (MANUALLY OPERATED) (2033E/2046E/2646E/2658E)

SECTION 4 PLATFORM



SECTION 4 PLATFORM

FIGURE 4-5. HANDRAILS AND EXTENSION INSTALLATION - FOLDDOWN RAILS (MANUALLY OPERATED) (2033E/2046E/2646E/2658E)

FIG & ITEM #	PART NUMBER	DESCRIPTION	QTY.	REV.
		FOLD-DOWN HANDRAIL INSTALLATION (STANDARD PARTS WHEN EQUIPPED)	Ref.	
1	3640738	Handrail - Lower Side	2	
2 to 3	Not Used			
4	3640740	Handrail - Top Side	2	
5	4565191	Tube - Ends	4	
6	3640742	Tube - Center (Right Side)	1	
7	0641424	Bolt 1/4"-20NC x 3" (Prior to S/N 38589)	A/R	
	0641420	Bolt 1/4"-20NC x 2 1/2" (S/N 38589 to Present)	A/R	
8	4751400	Flatwasher 1/4"	A/R	
9	4761400	Lockwasher 1/4" (Prior to S/N 38589)	A/R	
10	3311401	Nut 1/4"-20NC (Prior to S/N 38589)	A/R	
	3311405	Locknut 1/4"-20NC (2046E/2646E)	A/R	
11	Not Used			
12	3520072	Plug, Cap	A/R	
13 to 14	Not Used			
15	3430416	Pin, Clevis 1/4" x 2"	A/R	
16	4711400	Flatwasher 1/4"	A/R	
17	3450203	Pin, Cotter 1/16" x 3/4"	A/R	
18 to 21	Not Used			
22	1260017	Chain (4 Lengths 7 in./17.8 cm each)	28in./7m	
23 to 25	Not Used			
26	3421913	Pin, Quick Release	4	
27 to 28	Not Used			
29	3640753	Tube - Center (Left Side)	1	
30 to 41	Not Used			
42	3900184	Screw, Button Head #10-24NC x 5/8"	A/R	
43 to 44	Not Used			
45	3300375	Nut, Joint Connector 2 3/8"	4	
		FOLD-DOWN HANDRAIL INSTALLATIONS (VARIABLE PARTS)	Ref.	
	0251841	2033E CE Spec	Ref.	10
	0252681	2033E Australian Spec	Ref.	7
	0251843	2046E/2646E CE Spec	Ref.	9
	0252677	2046E/2646E Australian Spec	Ref.	6
	0251845	2658E CE Spec	Ref.	8
	0252679	2658E Australian Spec	Ref.	5
51		Handrail - Top Rear Vertical Options:	A/R	
	Not Required	2033E	0	
	3640743	2046E/2646E/2658E	2	
52	0641408	Bolt 1/4"-20NC x 1"	A/R	
53		Handrail - Top Rear Vertical Options:	A/R	
	Not Required	2033E	0	
	3640761	2046E/2646E/2658E	2	

SECTION 4 PLATFORM

SECTION 4 PLATFORM

FIGURE 4-5. HANDRAILS AND EXTENSION INSTALLATION - FOLDDOWN RAILS (MANUALLY OPERATED) (2033E/2046E/2646E/2658E) (CONTINUED)

FIG & ITEM #	PART NUMBER	DESCRIPTION	QTY.	REV.
54		Kickplate - Rear Options:	A/R	
	Not Required	2033E	0	
	3535337	2046E/2646E (Prior to S/N 32515)	2	
	3534742	2046E/2646E (S/N 32515 to Present)	2	
55	3535492	2658E	2	
		Handrail - Rear Options:	1	
	4565285	2033E		
	3640744	2046E/2646E		
56	3640745	2658E		
		Gate, Drop Options:	1	
	3640614	CE Spec		
57	Not Required	Australian Spec		
		Kickplate - Rear Options:	1	
58	3533370	CE Spec		
	Not Required	Australian Spec		
59		Bushing Options:	4	
	0961833	CE Spec		
	Not Required	Australian Spec		
60		Tape Options:	6in/15cm	
	4420055	CE Spec		
61	Not Required	Australian Spec		
	3911034	Screw, Machine #10-24NC x 2 1/4"	A/R	
62	4751000	Flatwasher #10	A/R	
63	3311005	Locknut #10-24NC	A/R	
64	3300373	Nut, Joint Connector 1 1/4"	A/R	
65	3300374	Nut, Joint Connector 1 7/8"	A/R	
		Chain Options (Not Shown):	2.5 ft./.8m	
	Not Required	CE Spec		
66	1260136	Australian Spec		
		Tubing, Mesh Options (Not Shown):	2.5ft/.6m	
67	Not Required	CE Spec		
	2820297	Australian Spec		
68		Link Options (Not Shown):	2	
	Not Required	CE Spec		
69	3010088	Australian Spec		
		Snap Latch Repair Kit (Includes Item 67) Options (Not Shown):	1	
	Not Required	CE Spec		
70	Use 1001101076	Australian Spec (was p/n 2940064)		
		Tube -End Options:	2	
71	3641235	2033E		
	4565191	2046E/2646E/2658E		
72	3340612	Pad (S/N 46777 to Present)	1.5ft/.5m	
73		Handrail - Center Rear Vertical Options:	A/R	
	Not Required	2033E	0	
	4565261	2046E/2646E/2658E	2	

SECTION 4 PLATFORM

SECTION 4 PLATFORM

FIGURE 4-5. HANDRAILS AND EXTENSION INSTALLATION - FOLDDOWN RAILS (MANUALLY OPERATED) (2033E/2046E/2646E/2658E) (CONTINUED)

FIG & ITEM #	PART NUMBER	DESCRIPTION	QTY.	REV.
		PLATFORM EXTENSION INSTALLATIONS		
	0251942	2033E Euro Spec Power Down Machines	Ref.	F
	0257289	2033E Euro Spec Gravity Down Machines	Ref.	5
	0251943	2046E/2646E Euro Spec Power Down Machines	Ref.	E
	0257290	2046E/2646E Euro Spec Gravity Down Mach.	Ref.	3
	0251944	2658E Euro Spec Power Down Machines	Ref.	E
	0257291	2658E Euro Spec Gravity Down Machines	Ref.	3
	0253383	2033E Australian Spec Power Down Machines	Ref.	C
	0257286	2033E Australian Spec Gravity Down Machines	Ref.	5
	0253391	2046E/2646E Australian Spec Power Down Machine	Ref.	B
	0257287	2046E/2646E Australian Spec Gravity Down Mach.	Ref.	3
	0253392	2658E Australian Spec Power Down Machines	Ref.	B
	0257288	2658E Australian Spec Gravity Down Machines	Ref.	3
		Note: To determine Power or Gravity Down refer to page A.		
101		Platform Extension Weldment Options:	1	
	3510491	2033E Euro Spec Power Down Machines		
	3510580	2033E Euro Spec Gravity Down Machines		
	3510346	2046E/2646E Euro Spec Power Down Machines		
	3510581	2046E/2646E Euro Spec Gravity Down Machines		
	3510347	2658E Euro Spec Power Down Machines		
	3510582	2658E Euro Spec Gravity Down Machines		
	3510494	2033E Australian Spec Power Down Machines		
	3510574	2033E Australian Spec Gravity Down Machines		
	3510391	2046E/2646E Australian Power Down Machines		
	3510575	2046E/2646E Australian Gravity Down Machines		
	3510392	2658E Australian Spec Power Down Machines		
	3510576	2658E Australian Spec Gravity Down Machines		
102	3640749	Handrail - Right Side Options:	1	
	Use 3641315	2033E Prior to S/N 56927 (was p/n 3640749)		
	3641315	2033E S/N 56927 to Present		
	3640749	2046E/2646E/2658E		
103	3640748	Handrail - Left Side	1	
104	2560088	Grip, Handle	1	
105	2980113	Release Lever Assembly	1	
106		Rod, Release Options:	1	
	3841130	Euro Spec		
	3841201	Australian Spec		
107	3860052	Roller (Prior to S/N 26763)	4	
	3860059	Roller (S/N 26763 to Present)	4	
107A	4712200	Shim, Flatwasher (Steel)	A/R	
	4740066	Shim, Flatwasher (Thin Bronze)	A/R	
108	4843706	Mounting Weldment - Roller (Prior to S/N 26763)	4	
	3537619	Mounting Weldment - Roller (S/N 26763 to Present)	4	
109	0641510	Bolt 5/16"-18NC x 1 1/4"	16	
110	4761500	Lockwasher 5/16" (Prior to S/N 38529)	18	

SECTION 4 PLATFORM

SECTION 4 PLATFORM

FIGURE 4-5. HANDRAILS AND EXTENSION INSTALLATION - FOLDDOWN RAILS (MANUALLY OPERATED) (2033E/2046E/2646E/2658E) (CONTINUED)

FIG & ITEM #	PART NUMBER	DESCRIPTION	QTY.	REV.
111	3311501	Nut 5/16"-18NC (Prior to S/N 38529)	18	
	3311505	Locknut 5/16"-18NC (S/N 38529 to Present)	20	
112	0181684	Angle	4	
113	0641406	Bolt 1/4"-20NC x 3/4"	1	
114	4761400	Lockwasher 1/4" (Prior to S/N 38529)	12	
115	3311401	Nut 1/4"-20NC (Prior to S/N 38529)	8	
116	3430416	Pin, Clevis 1/4" x 2"	4	
117	4711400	Flatwasher 1/4" Narrow	10	
118	3450203	Pin, Cotter 1/16" x 3/4"	4	
119	3421913	Pin, Quick Release	2	
120	1260017	Chain (2 Lengths 7 in./17.8 Each)	14in./35.6cm	
121	0641406	Bolt 1/4"-20NC x 3/4" (Prior to S/N 38529)	1	
	0641405	Bolt 1/4"-20NC x 5/8" (S/N 38529 to Present)	12	
122	3311405	Locknut 1/4"-20NC	15	
123	0641516	Bolt 5/16"-18NC x 2"	2	
124	4751500	Flatwasher 5/16"	22	
125	3422723	Rollpin 1/8" x 7/8"	2	
126	4160078	Spring	1	
127	0361912	Bar, Latch	1	
128	2940061	Latch Weldment	1	
129	0641416	Bolt 1/4"-20NC x 2"	2	
130	3841233	Rod, Roller Support (S/N26763 to Present)	4	
131	3312202	Nut, Jam 3/4"-10NC (S/N26763 to S/N 43782)	4	
	3322202	Nut, Jam 3/4"-10NC (S/N43782 to Present)	4	
132	3760348	Ring, Retaining (S/N26763 to Present)	4	
133	4752200	Flatwasher 3/4" (S/N26763 to Present)	4	
134		Nameplate - Extension Capacity Options:	1	
	3251201	Euro Spec		
	3251852	Australian Spec		
135	3820001	Rivet (Prior to S/N 38529)	2	
136	0641512	Bolt 5/16"-18NC x 1 1/2" (S/N 38529 to Present)	1	
137	1320224	Clamp (S/N 38529 to Present)	1	
138	4791400	Starwasher (S/N 38529 to Present)	4	
139	0901830	Bracket, Latch	2	
140	Not Used			
141		Support Weldment Options:	1	
	Not Required	2033E Prior to S/N 47925		
	4845814	2033E S/N 47925 to Present		
	Not Required	2046E/2646E/2658E		
142	0641505	Bolt 5/16"-18NC x 5/8"	A/R	
143		Plate (S/N 47925 to Present Only)	1	
	Not Required	2033E Prior to S/N 47925		
	3571010	2033E S/N 47925 to Present		
	Not Required	2046E/2646E/2658E		
144	3820019	Rivet	A/R	

SECTION 4 PLATFORM

SECTION 4 PLATFORM

FIGURE 4-5. HANDRAILS AND EXTENSION INSTALLATION - FOLDDOWN RAILS (MANUALLY OPERATED) (2033E/2046E/2646E/2658E) (CONTINUED)

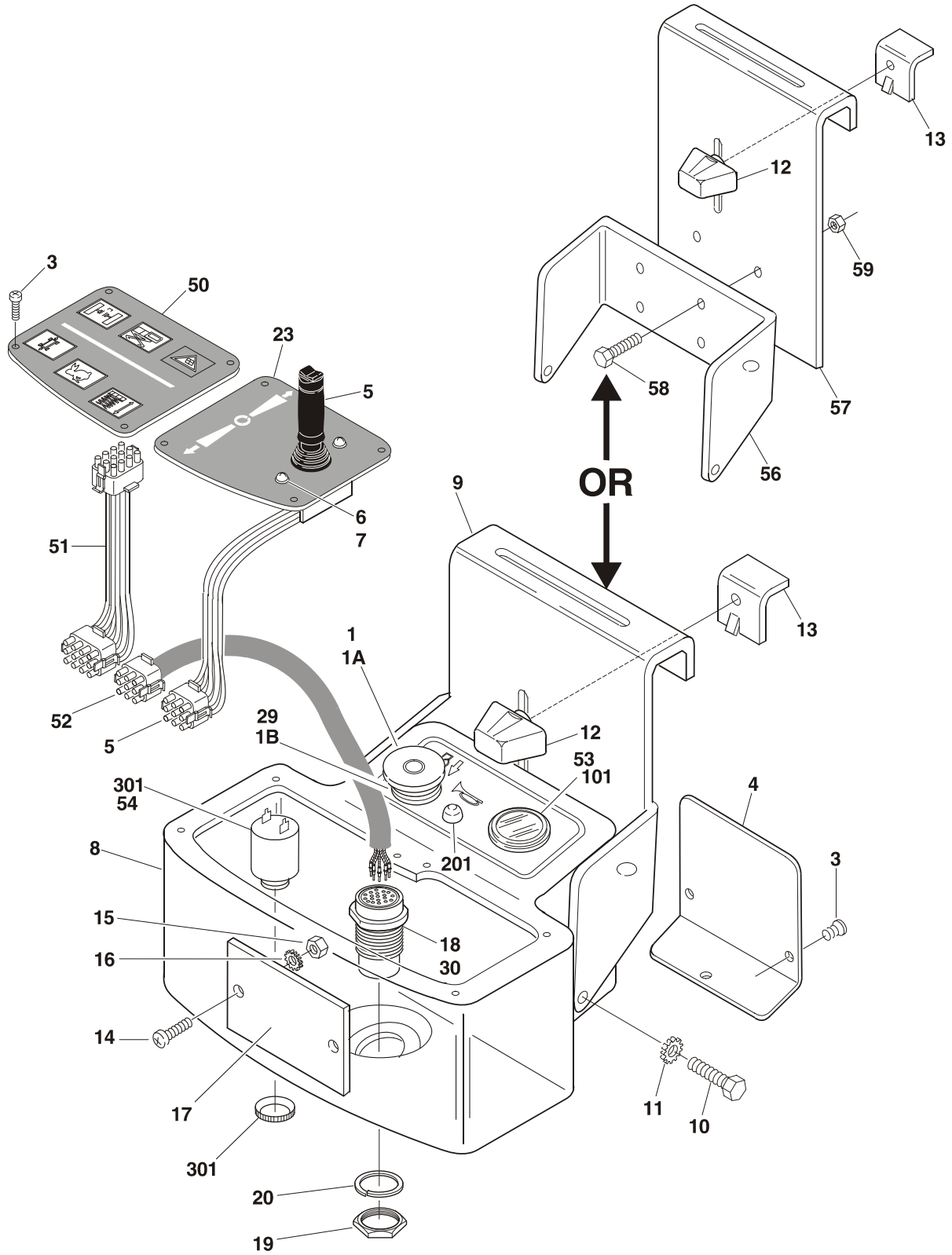
FIG & ITEM #	PART NUMBER	DESCRIPTION	QTY.	REV.
		Kit, Extension Latch Options (Includes Items 106, 125 - 128 & 140):		
	2901571	Australian Spec		
	2901572	Euro Spec		
		OPTIONAL PLATFORM EXTENSION LIMIT SWITCHES INSTALLATION		
	0256664	2033E/2646E	Ref.	—
	0256668	2646E/2658E	Ref.	—
201	4360277	Switch, Limit	1	
202	4360236	Actuator, Switch	1	
203	4360278	Roller and Arm	1	
204	4460052	Connector, Strain Relief	1	
205	3900168	Screw, Special	2	
206	4920140	Lockwire	2	
207	3534995	Plate, Mounting	1	
208	3931416	Bolt, Socket Head 1/4"-20NC x 1"	2	
209	3311401	Nut 1/4"-20NC	2	
210	4761400	Lockwasher 1/4"	2	
211	3520072	Plug, Cap	1	
212	1060341	Cable, Electrical - 16/2	A/R	
		2033E/2646E	46ft/14m	
		2646E/2658E	54ft/16.5m	
213	4460320	Plug	1	
214	4460069	Fork	2	
215	0960239	Bushing	1	
216	3300047	Locknut, Conduit	1	
217	4460267	Pin	2	
	0252973	SELF-CLOSING ACCESS GATE INSTALLATION (CE SPEC - OPTIONAL / AUSTRALIAN SPEC - STANDARD)	Ref.	5/E
301	4844100	Gate Weldment	1	
302	4844104	Rail	1	
303	3300373	Nut, Joint Connector	4	
304	3900184	Screw, Button Head	4	
305 to 306	Not Used			
307	4160028	Spring	1	
308	3520072	Plug, Cap	4	
309	2940074	Latch	1	
310	3911014	Screw #10-24NC x 7/8"	4	
311	3311005	Locknut #10-24NC	4	
312	4751000	Flatwasher #10	4	

SECTION 4 PLATFORM

SECTION 4 PLATFORM

FIGURE 4-6.PLATFORM CONSOLE BOX ASSEMBLY

SECTION 4 PLATFORM



SECTION 4 PLATFORM

FIGURE 4-6. PLATFORM CONSOLE BOX ASSEMBLY

FIG & ITEM #	PART NUMBER	DESCRIPTION	QTY.	REV.
		CONSOLE BOX ASSEMBLY (STANDARD PARTS)	Ref.	
		Note: To determine Power or Gravity Down refer to Page A		
1	4360289	Switch, Emergency Stop	1	
1A	7012611	Head, Mushroom	1	
1B	7012612	Boot	1	
2	Not Used			
3	3900177	Screw	11	
4	4060914	Cover, Rear	1	
5		Controller Assembly Options (See Figure 4-7 or 4-8 for Breakdown):	1	
	See Note	Prior to S/N 29608 (OEM) (Note: Use P/N 2890047 in place of original P/N 1600235)		
	See Note	S/N 29608 to S/N 35956 (OEM) (Note: Use P/N 2890047 in place of original P/N 1600257)		
	See Note	S/N 35957 to S/N 35964 (PQ) (Note: Use P/N 1600276 in place of original P/N 1600266)		
	See Note	S/N 35965 to S/N 36011(OEM) (Note: Use P/N 2890047 in place of original P/N 1600257)		
	See Note	S/N 36012 to S/N 43888 (PQ) (Note: Use P/N 1600276 in place of original P/N 1600266)		
	1600276	S/N 43888 to Present (PQ)		
6	4740120	Washer, Nylon	2	
7	3900178	Screw, Machine #10-32NF x 3/4"	2	
8	0861013	Box, Platform	1	
9		Hanger Bracket Option:	1	
	0902234	Prior to S/N24273 except S/N 23804		
	0902298	S/N 23804 only and S/N 24273 to S/N 43888		
	7020075	Cap, Rubber (Right Side)	1	
	7020076	Cap, Rubber (Left Side)	1	
10	3900227	Bolt 1/4"-20NC x 1/2" (Black)	4	
11	4791400	Starwasher 1/4"	4	
12	2560141	Thumbscrew	1	
13	0181847	Angle	1	
14	3900226	Screw #6-32NC x 1" (Black)	2	
15	3310601	Nut #6-32NC	2	
16	4770600	Starwasher #6	2	
17	0610123	Card, Circuit	1	
18	4460463	Receptacle, Male (23 Pin)	1	
19	4460470	Nut, Receptacle	1	
20	4460471	Lockwasher, Receptacle	1	
21 to 22	Not Used			
23		Lid, Nameplate Options:	1	
	3252481	Prior to S/N 36042 (Use with OEM Controller)	1	
	3252542	S/N 36042 to Present (Use with PQ Controller)	1	
24 to 28	Not Used			
29	4740066	Washer, Bronze (S/N 50260 to Present)	1	

SECTION 4 PLATFORM

SECTION 4 PLATFORM

FIGURE 4-6. PLATFORM CONSOLE BOX ASSEMBLY (CONTINUED)

FIG & ITEM #	PART NUMBER	DESCRIPTION	QTY.	REV.
30	4460466	Plug, Terminal (S/N 50260 to Present)	9	
		CONSOLE BOX ASSEMBLY (VARIABLE PARTS)	Ref.	
	0256963	Power Down Machines without Tilt Light	Ref.	3
	0256041	Power Down Machines with Tilt Light	Ref.	4
	0257378	Gravity Down Machines without Tilt Light	Ref.	6
	0257540	Gravity Down Machines without Tilt Light and with Battery Gauge	Ref.	5
	0257377	Gravity Down Machines with Tilt Light	Ref.	6
	0257539	Gravity Down Machines with Tilt Light and Battery Gauge	Ref.	5
50		Switch, Keypad Options:	1	
	4360450	Power Down Machines without Tilt Light		
	4360403	Power Down Machines with Tilt Light		
	4360450	Gravity Down Machines without Tilt Light		
	4360450	Gravity Down Machines without Tilt Light and with Battery Gauge		
	4360403	Gravity Down Machines with Tilt Light		
	4360403	Gravity Down Machines with Tilt Light and Battery Gauge		
51		Harness - Membrane Switch Options (See Section 7 for Breakdown):	1	
	4921782	Power Down Machines with Tilt Light		
	4921895	Gravity Down Machines with Tilt Light		
52		Harness - Platform Console Box (See Section 7 for Breakdown)	1	
	4921783	Power Down Machines with Tilt Light		
	4921896	Gravity Down Machines with Tilt Light		
53		Gauge, Battery Discharge Indicator Options:	1	
	Not Required	Without Battery Gauge		
	2420176	With Battery Gauge		
54		Alarm Options:	1	
	Not Required	Power Down Machines		
	0140011	Gravity Down Machines with Tilt Light		
	0140011	Gravity Down Machines with Tilt Light & Battery Gauge		
55	Not Required			
56		Bracket Options:	1	
	Not Required	Power Down Machines		
	0902439	Gravity Down Machines		
57		Bracket Options:	1	
	Not Required	Power Down Machines		
	0902438	Gravity Down Machines		
58	0641405	Bolt 1/4"-20NC x 5/8"	A/R	
59	3311401	Nut 1/4"-20NC	A/R	
	0256057	BATTERY DISCHARGE INDICATOR INSTALLATION (POWER DOWN MACHINES - OPTIONAL)	Ref.	—
101	2420176	Gauge, Battery Discharge Indicator	1	

SECTION 4 PLATFORM

SECTION 4 PLATFORM

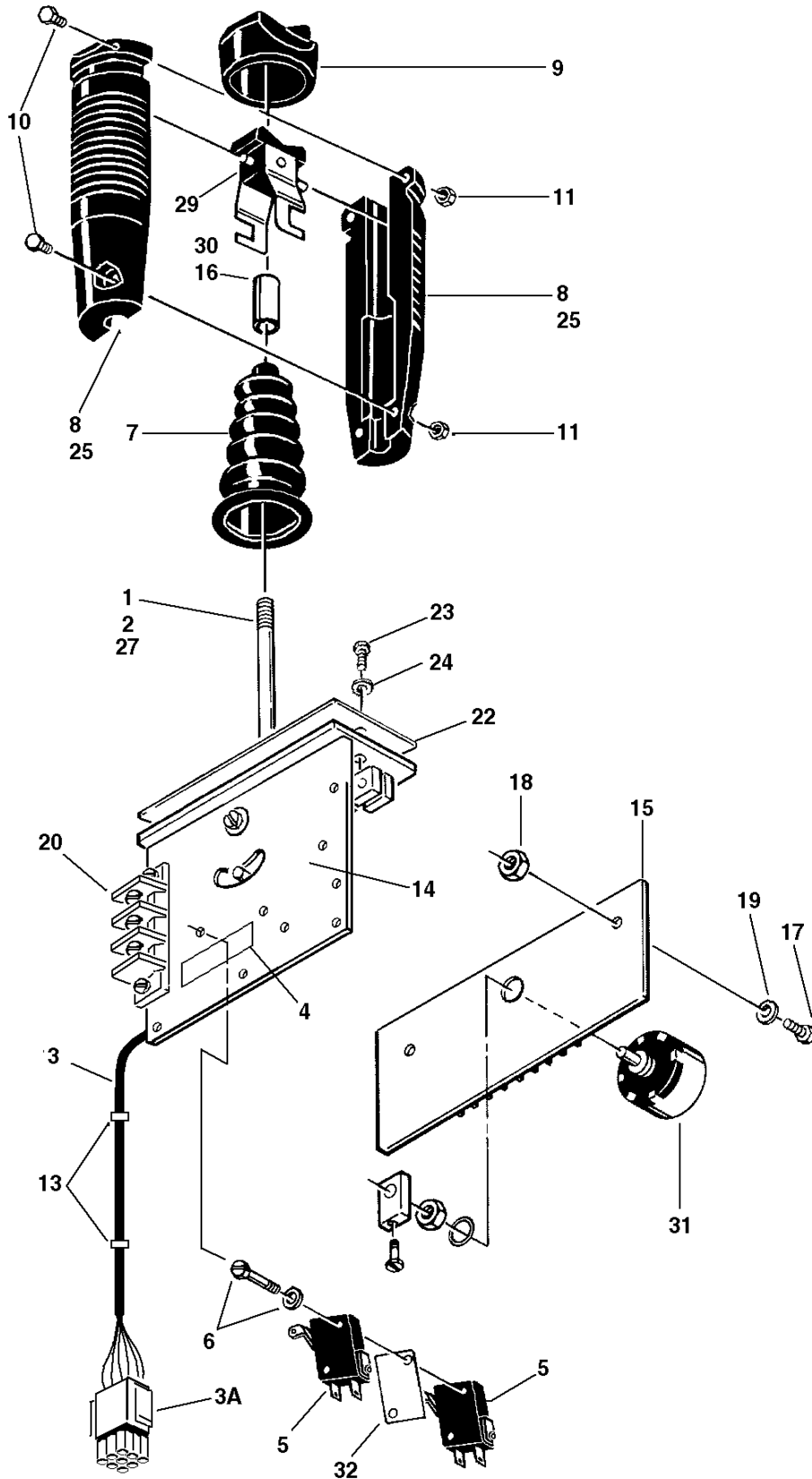
FIGURE 4-6. PLATFORM CONSOLE BOX ASSEMBLY (CONTINUED)

FIG & ITEM #	PART NUMBER	DESCRIPTION	QTY.	REV.
201	0255950	HORN COMPONENTS INSTALLATION	Ref.	4
	4360387	Button, Horn	1	
301	0255948	TILT ALARM INSTALLATION	Ref.	A
	0140011	Alarm	1	

SECTION 4 PLATFORM

SECTION 4 PLATFORM

FIGURE 4-7. CONTROLLER ASSEMBLY - OEM



SECTION
4
PLATFORM

SECTION 4 PLATFORM

FIGURE 4-7. CONTROLLER ASSEMBLY - OEM

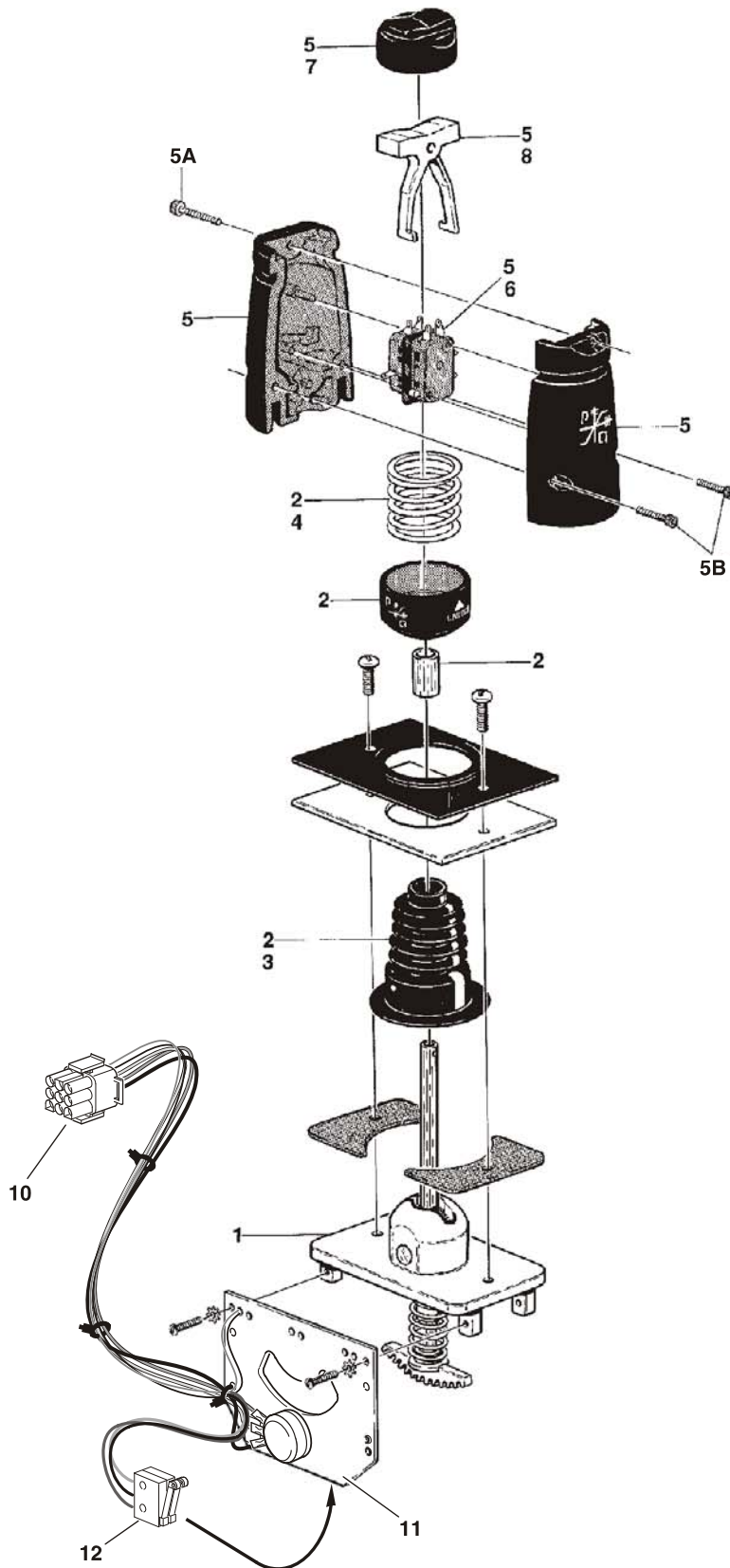
FIG & ITEM #	PART NUMBER	DESCRIPTION	QTY.	REV.
		CONTROLLER ASSEMBLY - OEM	Ref.	
	1600235	Prior to S/N 29608	Ref.	—
	1600257	S/N 29608 to S/N 35956 - OEM	Ref.	C
	1600257	S/N 35965 to S/N 36011 - OEM	Ref.	C
1	7003946	Spring, Handle Return	1	
2		Shaft Assembly Options:	1	
	7019100	Prior to S/N 29608		
	7019102	S/N 29608 to Present		
3		Harness, Electrical (Lower)	1	
	7003999	Prior to S/N 29608		
	7019101	S/N 29608 to Present		
3A	4460265	Connector, Receptacle - 9 Pin	1	
4	Not Serviced	Label	1	
5	7003961	Microswitch	2	
6	7003998	Screw	2	
7	7003966	Boot	1	
8	7003973	Handle Halves	2	
9	7003972	Cap, Rubber	1	
10	7003980	Screw	4	
11	7003979	Nut	4	
12	7003995	Harness, Electrical (Upper) (Not Shown)	1	
13	Not Serviced	Tie-strap	10	
14	Not Serviced	Housing	1	
15	7003995	Plate, Pot Mounting	1	
16*	7003983	Setscrew	2	
17	7003994	Screw	2	
18	7003993	Nut	2	
19	7003992	Washer	2	
20	7003991	Strip, Terminal	1	
21	0100011	Loctite (Not Shown)	A/R	
22	7003933	Gasket	1	
23	7003990	Screw	2	
24	7003969	Washer	2	
25	7003989	Gasket, Handle	2	
26	Not Serviced	Grease	A/R	
27	0100015	Loctite (Not Shown)	A/R	
28	7003988	Setscrew	1	
29	7003981	Rocker	1	
30	7003984	Coupling	1	
31	7003997	Potentiometer	1	
32	Not Serviced	Insulator	1	

	7003978	Handle Assembly (Includes Items 7-11, 25, 29 & 30)	1	

SECTION 4 PLATFORM

SECTION 4 PLATFORM

FIGURE 4-8. CONTROLLER ASSEMBLY - PQ



SECTION
4
PLATFORM

SECTION 4 PLATFORM

FIGURE 4-8. CONTROLLER ASSEMBLY - PQ

FIG & ITEM #	PART NUMBER	DESCRIPTION	QTY.	REV.
		CONTROLLER ASSEMBLY - PQ	Ref.	
	1600266	Prior to S/N 43888	Ref.	-
	1600276	S/N 43888 to Present	Ref.	B
	7011978	Handle Assembly	1	
1	7011979	Mechanism, Handle	1	
2	7020516	Slidelock Assembly (Was p/n 7011933)	1	
3	7020519	Boot (Was p/n 7003772)	1	
4	7011934	Spring, Compression	1	
5	7011935	Handle Grip Assembly	1	
	7011976	Handle Halves	2	
5A	7020536	Screw #6-32NC x 1	1	
	7011972	Lockwasher	1	
	7011970	Nut	1	
5B	7011971	Screw	2	
	7011972	Lockwasher	2	
	7011970	Nut	2	
6	7003789	Microswitch Assembly (Includes (2) switches, (1) separator and the wiring.)	1	
	7020500	Microswitch	2	
7	7003790	Cap, Rubber	1	
8	7003791	Actuator, Switch	1	
9	Not Used			
10	4460265	Connector	1	
	4460267	Pin, Male	A/R	
11	7011980	Electrical Assembly	1	
	7011925	Potentiometer	1	
12	7003771	Switch	2	
		Note:		
		- 1600266 Controller has microswitch located on right side of cam.		
		- 1600276 Controller has microswitch located on left side of cam.		
		- 7011980 Electrical Assembly has microswitch located on left side of cam. When replacing Electrical Assembly, use part number 7011980 for both 1600266 and both 1600266 and 1600276 controllers.		

SECTION 4 PLATFORM

SECTION 4 PLATFORM

FIGURE 4-8. CONTROLLER ASSEMBLY - PQ (CONTINUED)

FIG & ITEM #	PART NUMBER	DESCRIPTION	QTY.	REV.

**S
E
C
T
I
O
N

4

P
L
A
T
F
O
R
M**

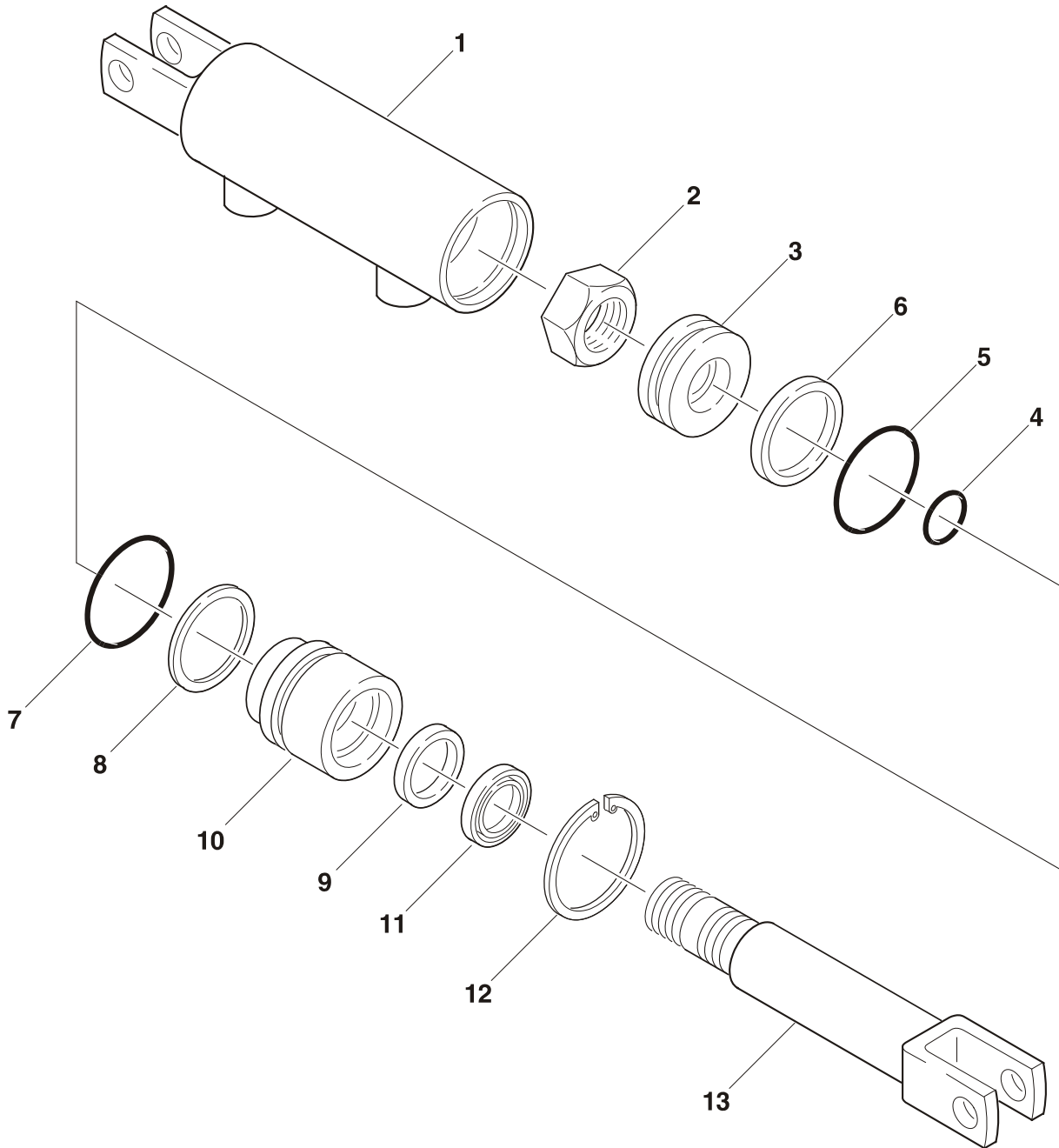
SECTION 5 CYLINDER

TABLE OF CONTENTS		
FIGURE	DESCRIPTION	PAGE
5-1	BRAKE CYLINDER ASSEMBLY	5-2
5-2	LIFT CYLINDER COMPONENTS ASSEMBLY (1532/1932 POWER DOWN MACHINES BUILT PRIOR TO S/N 27181)	5-4
5-3	LIFT CYLINDER COMPONENTS ASSEMBLY (1532E/1932E POWER DOWN MACHINES BUILT S/N 27181 TO PRESENT)	5-8
5-4	LIFT CYLINDER COMPONENTS ASSEMBLY (1532E/1932E GRAVITY DOWN MACHINES)	5-10
5-5	LIFT CYLINDER COMPONENTS ASSEMBLY (2033E/2046E POWER DOWN MACHINES BUILT PRIOR TO S/N 27085 & 2646E/2658E POWER DOWN MACHINES BUILT PRIOR TO S/N 26916)	5-14
5-6	LIFT CYLINDER COMPONENTS ASSEMBLY (2033E/2046E POWER DOWN MACHINES BUILT S/N 27085 TO PRESENT & 2646E/2658E POWER DOWN MACHINES BUILT S/N 26916 TO PRESENT)	5-18
5-7	LIFT CYLINDER COMPONENTS ASSEMBLY (2033E/2046E/2646E/2658E GRAVITY DOWN MACHINES)	5-22
5-8	STEER CYLINDER ASSEMBLY	5-26

SECTION 5 CYLINDER

SECTION 5 CYLINDER

FIGURE 5-1. BRAKE CYLINDER ASSEMBLY



SECTION 5 CYLINDER

SECTION 5 CYLINDER

FIGURE 5-1. BRAKE CYLINDER ASSEMBLY

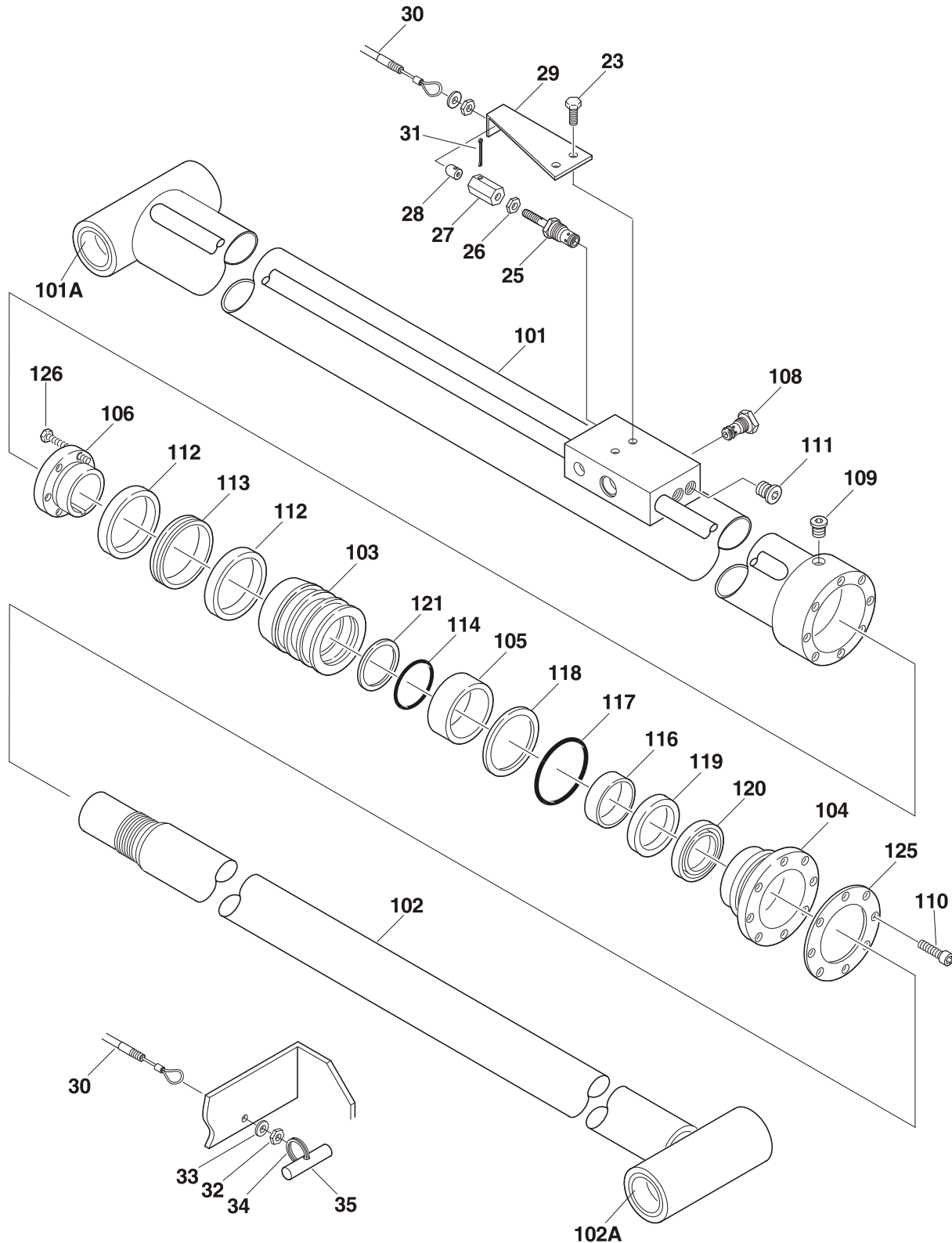
FIG & ITEM #	PART NUMBER	DESCRIPTION	QTY.	REV.
		Note: To determine Power or Gravity Down refer to page A.		
		BRAKE CYLINDER ASSEMBLY	Ref.	
	1683362	Power Down Machines	Ref.	C
	1683557	Gravity Down Machines	Ref.	A
1	Not Serviced	Barrel	1	
2	7001609	Locknut	1	
3		Piston Options:	1	
	7017201	Power Down Machines		
	7017220	Gravity Down Machines		
4	Kit	O-Ring	1	
5	Kit	O-Ring	1	
6	Kit	Seal, Piston	1	
7	Kit	O-Ring	1	
8	Kit	Ring, Back-up	1	
9	Kit	Seal	1	
10		Guide Options:	1	
	7001097	Power Down Machines		
	7017221	Gravity Down Machines		
11	Kit	Ring, Wiper	1	
12	Kit	Ring, Retainer	1	
13		Rod	1	
	7017202	Power Down Machines		
	7017222	Gravity Down Machines		

	7017200	Seal Kit Options (Includes Items 4-9, 11 & 12)	1	
	7017200	Power Down Machines - 1683362 Cylinder	1	
	7017223	Gravity Down Machines - 1683557 Cylinder		

SECTION 5 CYLINDER

SECTION 5 CYLINDER

FIGURE 5-2. LIFT CYLINDER COMPONENTS ASSEMBLY
(1532/1932 POWER DOWN MACHINES BUILT PRIOR TO S/N 27181)



SECTION 5 CYLINDER

SECTION 5 CYLINDER

FIGURE 5-2. LIFT CYLINDER COMPONENTS ASSEMBLY (1532/1932 POWER DOWN MACHINES BUILT PRIOR TO S/N 27181)

FIG & ITEM #	PART NUMBER	DESCRIPTION	QTY.	REV.
		Note: To determine Power or Gravity Down refer to page A.		
		LIFT CYLINDER SUB-ASSEMBLY	Ref.	
1 to 22	Not Used			
23	0641506	Bolt 5/16"-18NC x 3/4"	2	
24	0100011	Loctite #242	A/R	
25	4640717	Cartridge, Valve (Manual Descent)	1	
26	3311402	Nut, Jam 1/4"-20NC	1	
27	0080190	Adapter	1	
28	4220044	Stop, Throttle (Prior to S/N 28355 Only)	1	
29	0902151	Bracket	1	
30		Cable Assembly Options:	1	
	Use 1060644	Prior to S/N 28175 (was p/n 1060597)		
	1060644	S/N 28175 to Present		
	7019602	Bellows Kit (Use with 1060644 Cable Only)	1	
	7019600	T-Handle (Use with 1060644 Cable Only)	1	
31	3450405	Pin, Cotter	1	
32	3321402	Nut, Jam 1/4"-28NF	4	
33	4711400	Flatwasher 1/4"	4	
34	3760170	Ring (Prior to 28175 Only)	1	
35	3841127	Rod, Manual Descent (Prior to 28175 Only)	1	
	1683377	LIFT CYLINDER ASSEMBLY - 1532E/1932E	Ref.	A
101	1683379	Barrel Weldment	1	
101A	0962012	Bushing, Garmax	2	
102	1683380	Rod Weldment	1	
102A	0962012	Bushing, Garmax	2	
103	3480212	Piston	1	
104	1683054	Head	1	
105	4566819	Spacer	1	
106	0961896	Bushing, Tapered	1	
107	Not Used			
108	4640509	Cartridge, Valve	1	
	2900792	Seal Kit - 4640509 Valve	1	
109	2220885	Plug, O-Ring	2	
110	3931516	Capscrew, Socket Head 5/16"-18NC x 1"	8	
111	2220883	Plug, O-Ring	3	
112	Kit	Ring, Wear	2	
113	Kit	T-Seal	1	
114	Kit	O-Ring	1	
115	Not Used			
116	Kit	Ring, Wear	1	
117	Kit	O-Ring	1	
118	Kit	Ring, Back-up	1	

SECTION 5 CYLINDER

SECTION 5 CYLINDER

FIGURE 5-2. LIFT CYLINDER COMPONENTS ASSEMBLY (1532/1932 POWER DOWN MACHINES BUILT PRIOR TO S/N 27181) (CONTINUED)

FIG & ITEM #	PART NUMBER	DESCRIPTION	QTY.	REV.
119	Kit	Seal, Rod	1	
120	Kit	Wiper	1	
121	Kit	Ring, Back-up	1	
122	0100038	Primer, Locking	A/R	
123	0100011	Loctite #242	A/R	
124	Not Used			
125	3760368	Ring, Washer	1	
126	0641408	Bolt 1/4"-20NC x 1"	3	

	2901278	Seal Kit - 1683377 Cylinder (Includes Items 112-121)	1	

SECTION 5 CYLINDER

SECTION 5 CYLINDER

FIGURE 5-2. LIFT CYLINDER COMPONENTS ASSEMBLY (1532/1932 POWER DOWN MACHINES BUILT PRIOR TO S/N 27181) (CONTINUED)

FIG & ITEM #	PART NUMBER	DESCRIPTION	QTY.	REV.

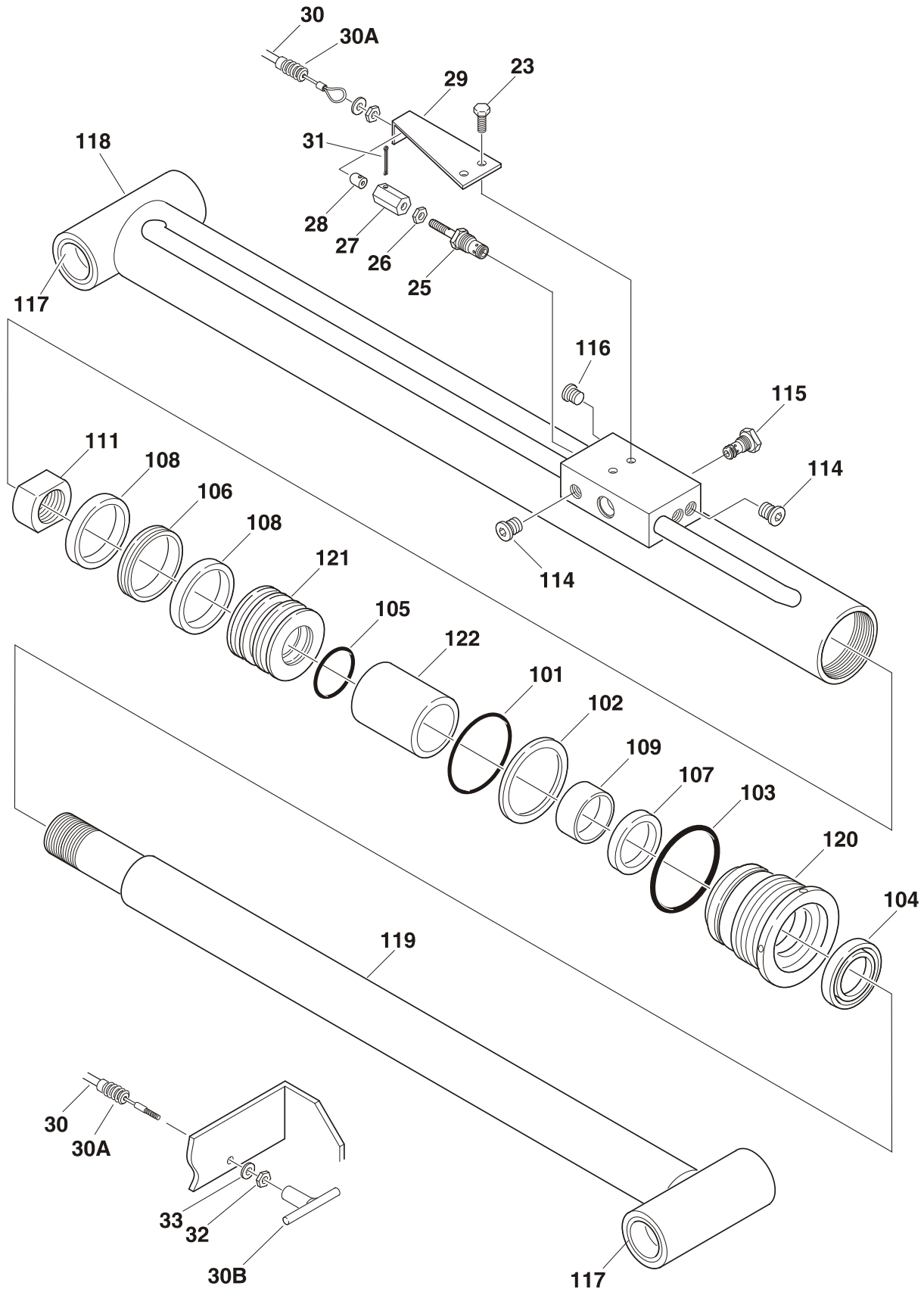
**S
E
C
T
I
O
N

5

C
Y
L
I
N
D
E
R**

SECTION 5 CYLINDER

FIGURE 5-3. LIFT CYLINDER COMPONENTS ASSEMBLY (1532/1932 POWER DOWN MACHINES BUILT S/N 27181 TO PRESENT)



SECTION 5 CYLINDER

SECTION 5 CYLINDER

(Continued)
FIGURE 5-3. LIFT CYLINDER COMPONENTS ASSEMBLY (1532/1932 POWER DOWN MACHINES BUILT S/N 27181 TO PRESENT)

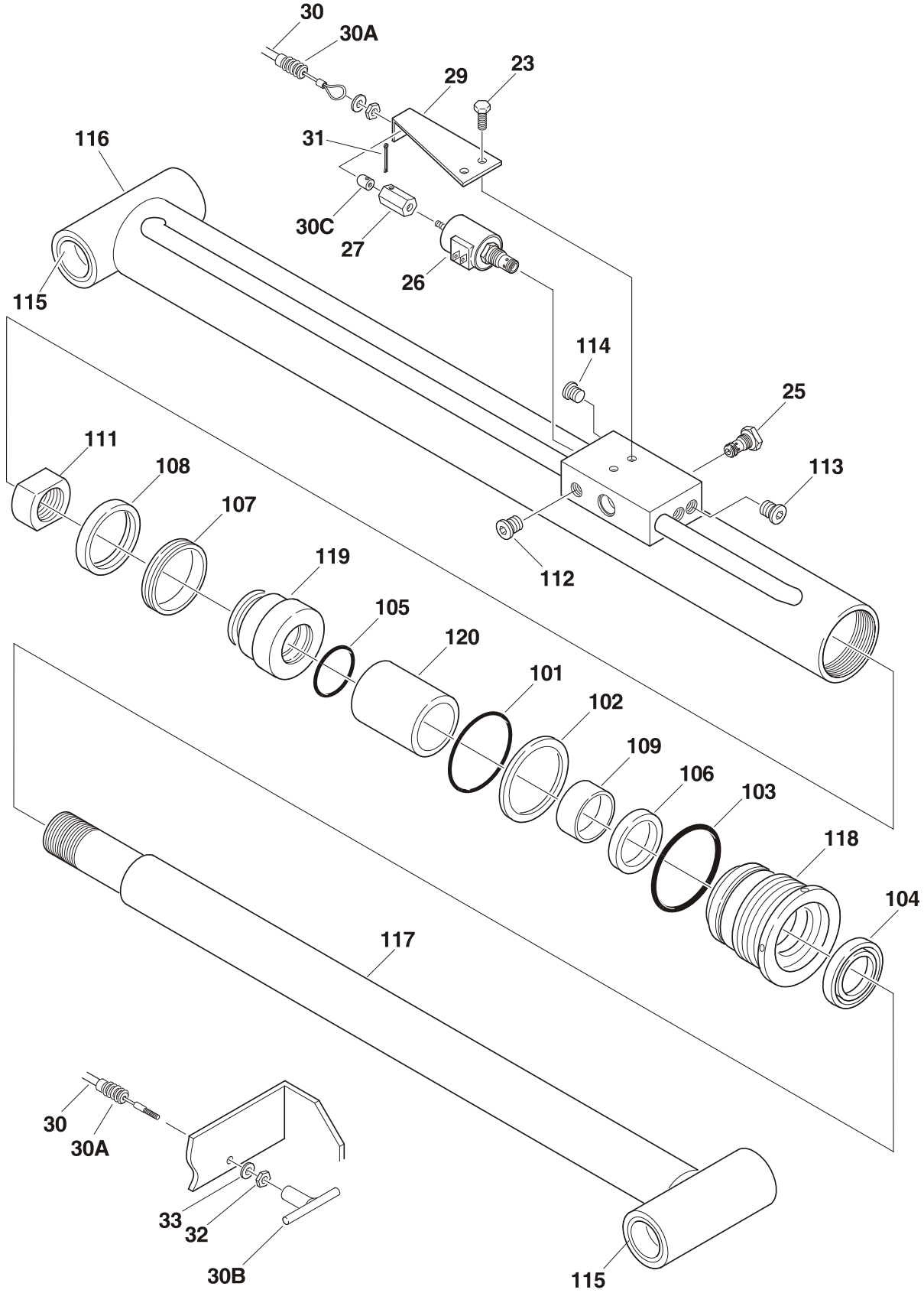
FIG & ITEM #	PART NUMBER	DESCRIPTION	QTY.	REV.
		Note: To determine Power or Gravity Down refer to page A.		
		LIFT CYLINDER SUB-ASSEMBLY	Ref.	
1 to 22	Not Used			
23	0641506	Bolt 5/16"-18NC x 3/4"	4	
24	0100011	Loctite #242	A/R	
25	4640717	Cartridge, Valve (Manual Descent)	1	
26	3311402	Nut, Jam 1/4"-20NC	1	
27	0080190	Adapter	1	
28	4220044	Stop, Throttle (Prior to S/N 28355 Only)	1	
29	0902151	Bracket	1	
30		Cable Assembly Options:	1	
	Use 1060644	Prior to S/N 28175 (was p/n 1060597)		
	1060644	S/N 28175 to Present		
30A	7019602	Bellows Kit (Use with 1060644 Cable Only)	1	
30B	7019600	T-Handle (Use with 1060644 Cable Only)	1	
31	3450405	Pin, Cotter	1	
32	3321402	Nut, Jam 1/4"-28NF	4	
33	4711400	Flatwasher 1/4"	4	
	1683475	LIFT CYLINDER ASSEMBLY - 1532E/1932E	Ref.	-
101	Kit	O-Ring	1	
102	Kit	Ring, Back-up	1	
103	Kit	O-Ring	1	
104	Kit	Wiper	1	
105	Kit	O-Ring	1	
106	Kit	Seal	1	
107	Kit	Seal	1	
108	Kit	Ring, Wear	2	
109	Kit	Ring, Wear	1	
110	Not Used			
111	7017367	Locknut	1	
112	7005312	Plug (Not Shown)	1	
113	7005315	Plug (Not Shown)	2	
114	7005365	Plug	3	
115	7017372	Cartridge, Valve	1	
	Not Available	Seal Kit - 7017372 Valve	1	
116	Not Serviced	Plug	1	
117	7017378	Bushing, Garmax	4	
118	Not Serviced	Barrel Weldment	1	
119	7017383	Rod Weldment	1	
120	7017382	Head	1	
121	7017381	Piston	1	
122	7017380	Spacer	1	

	7017379	Seal Kit - 1683475 Cylinder (Includes Items 101-109)	1	

SECTION 5 CYLINDER

SECTION 5 CYLINDER

FIGURE 5-4. LIFT CYLINDER COMPONENTS ASSEMBLY (1532E/1932E GRAVITY DOWN MACHINES)



SECTION 5 CYLINDER

SECTION 5 CYLINDER

FIGURE 5-4. LIFT CYLINDER COMPONENTS ASSEMBLY (1532E/1932E GRAVITY DOWN MACHINES)

FIG & ITEM #	PART NUMBER	DESCRIPTION	QTY.	REV.
		Note: To determine Power or Gravity Down refer to page A.		
		LIFT CYLINDER SUB-ASSEMBLY	Ref.	
1 to 22	Not Used			
23	0641506	Bolt 5/16"-18NC x 3/4"	4	
24	0100011	Loctite #242 (Not Shown)	A/R	
25		Cartridge, Valve (Restrictor/Check) Options:	1	
	4641012	1532E		
	4641014	1932E		
	7012953	Seal Kit - 4641012 and 4641014 Cartridges	1	
26	4641001	Cartridge, Valve (Solenoid with Manual Descent)	1	
	7012967	Seal Kit - 4641001 Valve	1	
	7017444	Solenoid	1	
27	0080228	Adapter	1	
28	Not Used			
29	0902371	Bracket (1532E) (Prior to S/N 43167)	1	
	0902421	Bracket (1532E) (S/N 43167 to Present)	1	
	0902151	Bracket (1932E) (Prior to S/N 37703)	1	
	0902371	Bracket (1932E) (S/N 37703 to S/N 43167)	1	
	0902421	Bracket (1932E) (S/N 43167 to Present)	1	
30	1060644	Cable Assembly	1	
30A	7019602	Bellows Kit	1	
30B	7019600	T-Handle	1	
30C	4220044	Stop, Throttle	1	
31	3450405	Pin, Cotter	1	
32	3321402	Nut, Jam 1/4"-28NF	4	
33	4711400	Flatwasher 1/4" Narrow	4	
	1683500	LIFT CYLINDER ASSEMBLY - 1532E/1932E	Ref.	A
101	Kit	O-Ring	1	
102	Kit	Ring, Back-up	1	
103	Kit	O-Ring	1	
104	Kit	Wiper	1	
105	Kit	O-Ring	1	
106	Kit	Seal	1	
107	Kit	Seal	1	
108	Kit	Ring, Lock	2	
109	Kit	Ring, Wear	1	
110	Not Used			
111	7017367	Locknut	1	
112	7005358	Plug	2	
113	7019803	Plug	1	
114	7019302	Plug	2	
115	7017378	Bushing, Garmax	4	

SECTION 5 CYLINDER

SECTION 5 CYLINDER

FIGURE 5-4. LIFT CYLINDER COMPONENTS ASSEMBLY (1532E/1932E GRAVITY DOWN MACHINES) (CONTINUED)

FIG & ITEM #	PART NUMBER	DESCRIPTION	QTY.	REV.
116	7019801	Barrel Weldment	1	
117	7019800	Rod Weldment	1	
118	7017382	Head	1	
119	7017399	Piston	1	
120	7017398	Spacer	1	

	7017389	Seal Kit - 1683500 Cylinder (Includes Items 101-109)	1	

SECTION 5 CYLINDER

SECTION 5 CYLINDER

FIGURE 5-4. LIFT CYLINDER COMPONENTS ASSEMBLY (1532E/1932E GRAVITY DOWN MACHINES) (CONTINUED)

FIG & ITEM #	PART NUMBER	DESCRIPTION	QTY.	REV.

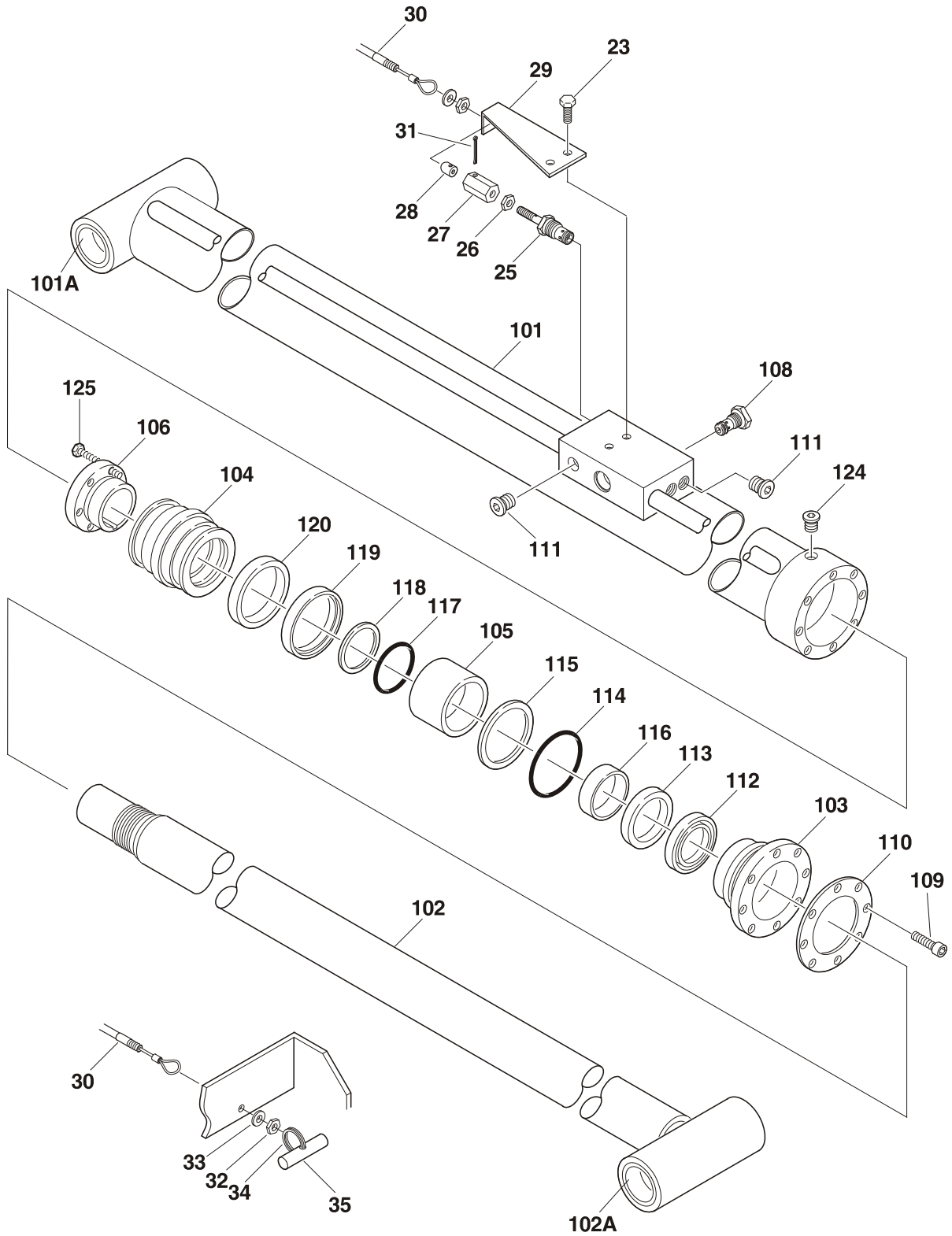
**S
E
C
T
I
O
N

5

C
Y
L
I
N
D
E
R**

SECTION 5 CYLINDER

FIGURE 5-5. LIFT CYLINDER COMPONENTS ASSEMBLY (2033E/2046E POWER DOWN MACHINES BUILT PRIOR TO S/N 27085 & 2646E/2658E POWER DOWN MACHINES BUILT PRIOR TO S/N 26916)



SECTION 5 CYLINDER

SECTION 5 CYLINDER

FIGURE 5-5. LIFT CYLINDER COMPONENTS ASSEMBLY (2033E/2046E POWER DOWN MACHINES BUILT PRIOR TO S/N 27085 & 2646E/2658E POWER DOWN MACHINES BUILT PRIOR TO S/N 26916)

FIG & ITEM #	PART NUMBER	DESCRIPTION	QTY.	REV.
		Note: To determine Power or Gravity Down refer to page A.		
		LIFT CYLINDER SUB-ASSEMBLY	Ref.	
1 to 22	Not Used			
23	0641506	Bolt 5/16"-18NC x 3/4"	4	
24	0100011	Loctite #242	A/R	
25	4640717	Cartridge, Valve (Manual Descent)	1	
26	3311402	Nut, Jam 1/4"-20NC	1	
27	0080190	Adapter	1	
28	4220044	Stop, Throttle	1	
29	0902151	Bracket	1	
30		Cable Assembly Options (Verify Length Before Ordering):	1	
	1060377	112" Length		
	1060643	136" Length		
	7019602	Bellows Kit (Use with 1060643 Cable Only)	1	
	7019600	T-Handle (Use with 1060643 Cable Only)	1	
31	3450405	Pin, Cotter	1	
32	3321402	Nut, Jam 1/4"-28NF	4	
33	4711400	Flatwasher 1/4"	4	
34	3760170	Ring	1	
35	3841127	Rod, Manual Descent	1	
		LIFT CYLINDER ASSEMBLY	Ref.	
	1683352	2033E/2046E	Ref.	E
	1683363	2646E/2658E	Ref.	D
101		Barrel Weldment Options:	1	
	1683367	2033E/2046E		
	1683353	2646E/2658E		
101A	0962012	Bushing, Garmax	2	
102		Rod Weldment Options:	1	
	1683369	2033E/2046E		
	1683355	2646E/2658E		
102A	0962012	Bushing, Garmax	2	
103		Head Options:	1	
	1683056	2033E/2046E		
	1683061	2646E/2658E		
104		Piston Options:	1	
	3480218	2033E/2046E		
	3480211	2646E/2658E		
105		Spacer Options:	1	
	4566787	2033E/2046E		
	4565008	2646E/2658E		

SECTION 5 CYLINDER

SECTION 5 CYLINDER

FIGURE 5-5. LIFT CYLINDER COMPONENTS ASSEMBLY (2033E/2046E POWER DOWN MACHINES BUILT PRIOR TO S/N 27085 & 2646E/2658E POWER DOWN MACHINES BUILT PRIOR TO S/N 26916)

FIG & ITEM #	PART NUMBER	DESCRIPTION	QTY.	REV.
106		Bushing, Tapered Options:	1	
	0961896	2033E/2046E		
	0961897	2646E/2658E		
107	Not Used			
108	4640509	Cartridge, Valve	1	
	2900792	Seal Kit - 4640509 Valve	1	
109		Capscrew, Socket Head Options:	8	
	3931620	2033E/2046E Capscrew 3/8"-16NC x 1 1/4"		
	3931720	2646E/2658E Capscrew 7/16"-14NC x 1 1/4"		
110		Ring, Washer Options:	1	
	3760369	2033E/2046E		
	3760370	2646E/2658E		
111	2220883	Plug, O-Ring	3	
112	Kit	Wiper	1	
113	Kit	Seal, Rod	1	
114	Kit	O-Ring	1	
115	Kit	Ring, Back-up	1	
116	Kit	Ring, Wear	1	
117	Kit	O-Ring	1	
118	Kit	Ring, Back-up	2	
119	Kit	Ring, Lock	2	
120	Kit	Seal	2	
121	0100011	Loctite #242	A/R	
122	0100038	Primer, Locking	A/R	
123	Not Used			
124	2220885	Plug, O-Ring	1	
125		Bolt Options:	3	
	0630535	2033E/2046E Bolt 1/4"-20NC x 1 1/8"		
	0641409	2646E/2658E Bolt 1/4"-20NC x 1 1/8"		

		Seal Kit (Includes Items 112-120)	1	
	2901353	2033E/2046E 1683352 Cylinder		
	2901273	2646E/2658E 1683363 Cylinder		

SECTION 5 CYLINDER

SECTION 5 CYLINDER

FIGURE 5-5. LIFT CYLINDER COMPONENTS ASSEMBLY (2033E/2046E POWER DOWN MACHINES BUILT PRIOR TO S/N 27085 & 2646E/2658E POWER DOWN MACHINES BUILT PRIOR TO S/N 26916)

FIG & ITEM #	PART NUMBER	DESCRIPTION	QTY.	REV.

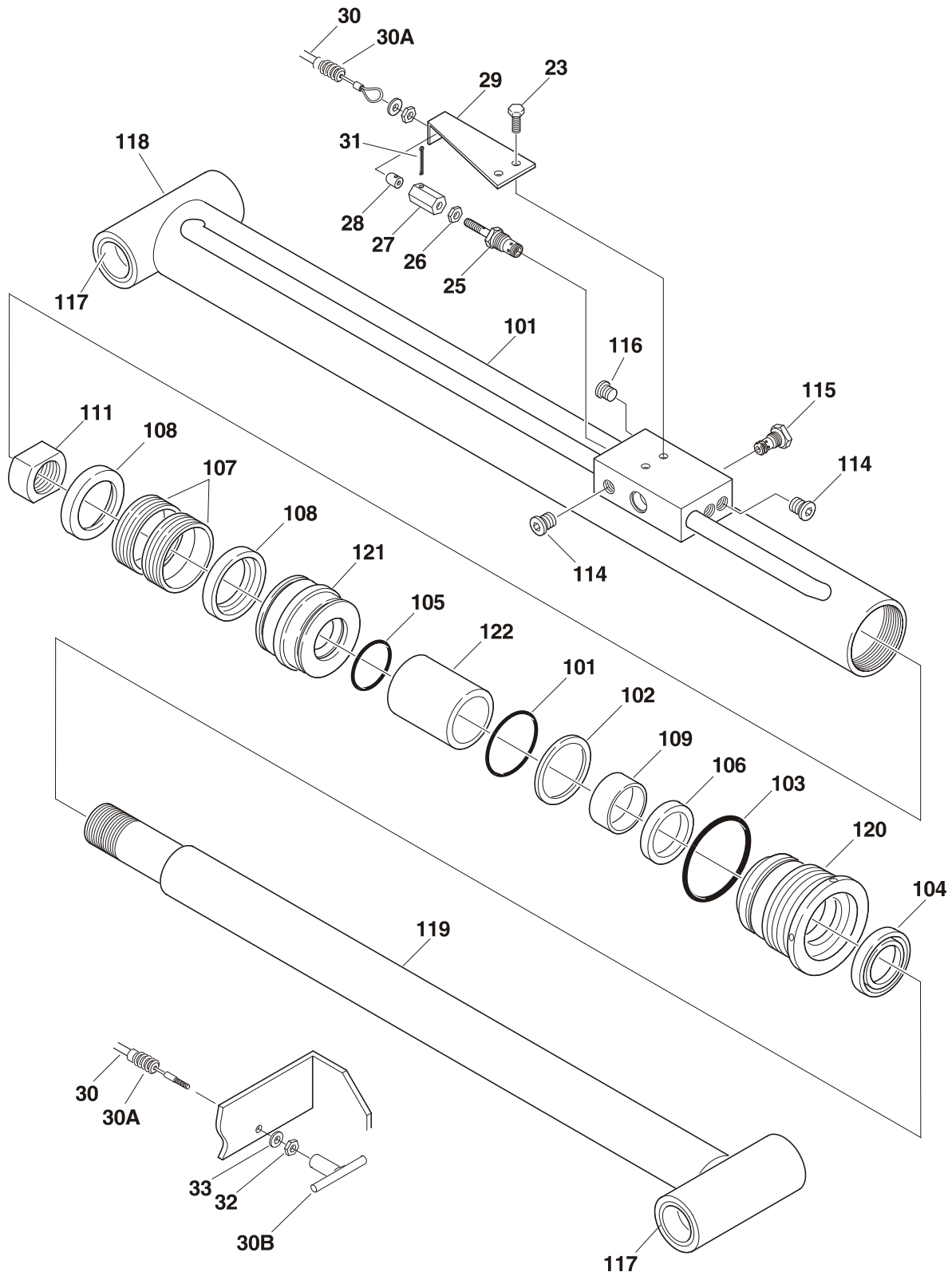
**S
E
C
T
I
O
N

5

C
Y
L
I
N
D
E
R**

SECTION 5 CYLINDER

FIGURE 5-6. LIFT CYLINDER COMPONENTS ASSEMBLY (2033E/2046E POWER DOWN MACHINES BUILT S/N 27085 TO PRESENT & 2646E/2658E POWER DOWN MACHINES BUILT S/N 26916 TO PRESENT)



SECTION 5 CYLINDER

SECTION 5 CYLINDER

FIGURE 5-6. LIFT CYLINDER COMPONENTS ASSEMBLY (2033E/2046E POWER DOWN MACHINES BUILT S/N 27085 TO PRESENT & 2646E/2658E POWER DOWN MACHINES BUILT S/N 26916 TO PRESENT)

FIG & ITEM #	PART NUMBER	DESCRIPTION	QTY.	REV.
		Note: To determine Power or Gravity Down refer to page A.		
		LIFT CYLINDER SUB-ASSEMBLY	Ref.	
1 to 22	Not Used			
23	0641506	Bolt 5/16"-18NC x 3/4"	4	
24	0100011	Loctite #242	A/R	
25	4640717	Cartridge, Valve (Manual Descent)	1	
26	3311402	Nut, Jam 1/4"-20NC	1	
27	0080190	Adapter	1	
28	4220044	Stop, Throttle (Prior to S/N 28175 Only)	1	
29	0902151	Bracket	1	
30		Cable Assembly Options (Verify Length Before Ordering):	1	
	1060377	112" Length		
	1060643	136" Length		
30A	7019602	Bellows Kit (Use with 1060643 Cable Only)	1	
30B	7019600	T-Handle (Use with 1060643 Cable Only)	1	
31	3450405	Pin, Cotter	1	
32	3321402	Nut, Jam 1/4"-28NF	4	
33	4711400	Flatwasher 1/4"	4	
34	3760170	Ring (Prior to S/N 28133 Only - Not Shown)	1	
35	3841127	Rod, Manual Descent (Prior to S/N 28133 Only - Not Shown)	1	
		LIFT CYLINDER ASSEMBLY	Ref.	
	1683473	2033E/2046E	Ref.	-
	1683474	2646E/2658E	Ref.	-
101	Kit	O-Ring	1	
102	Kit	Ring, Back-up	1	
103	Kit	O-Ring	1	
104	Kit	Wiper	1	
105	Kit	O-Ring	1	
106	Kit	Seal	1	
107	Kit	Seal	2	
108	Kit	Ring, Guidelock	2	
109	Kit	Ring, Wear Options:	A/R	
		2033E/2046E	1	
		2646E/2658E	2	
110	Not Used			
111		Locknut Options:	1	
	7003212	2033E/2046E		
	7003226	2646E/2658E		
112	7005312	Plug (Not Shown)	1	
113	7005315	Plug (Not Shown)	2	

SECTION 5 CYLINDER

SECTION 5 CYLINDER

FIGURE 5-6. LIFT CYLINDER COMPONENTS ASSEMBLY (2033E/2046E POWER DOWN MACHINES BUILT S/N 27085 TO PRESENT & 2646E/2658E POWER DOWN MACHINES BUILT S/N 26916 TO PRESENT) (CONTINUED)

FIG & ITEM #	PART NUMBER	DESCRIPTION	QTY.	REV.
114	7005356	Plug	3	
115	7017372	Cartridge, Valve	1	
	Not Available	Seal Kit - 7017372 Valve	1	
116	Not Serviced	Plug	1	
117	7017378	Bushing, Garmax	4	
118	Not Serviced	Barrel Weldment	1	
119		Rod Weldment Options:	1	
	7017377	2033E/2046E		
	7017388	2646E/2658E		
120		Head Options:	1	
	7017376	2033E/2046E		
	7017386	2646E/2658E		
121		Piston Options:	1	
	7017375	2033E/2046E		
	7017385	2646E/2658E		
122		Spacer Options:	1	
	7017374	2033E/2046E		
	7017385	2646E/2658E		

		Seal Kit Options (Includes Items 101-109)	1	
	7017373	2033E/2046E 1683473 Cylinder		
	7017384	2646E/2658E 1683474 Cylinder		

SECTION 5 CYLINDER

SECTION 5 CYLINDER

FIGURE 5-6. LIFT CYLINDER COMPONENTS ASSEMBLY (2033E/2046E POWER DOWN MACHINES BUILT S/N 27085 TO PRESENT & 2646E/2658E POWER DOWN MACHINES BUILT S/N 26916 TO PRESENT) (CONTINUED)

FIG & ITEM #	PART NUMBER	DESCRIPTION	QTY.	REV.

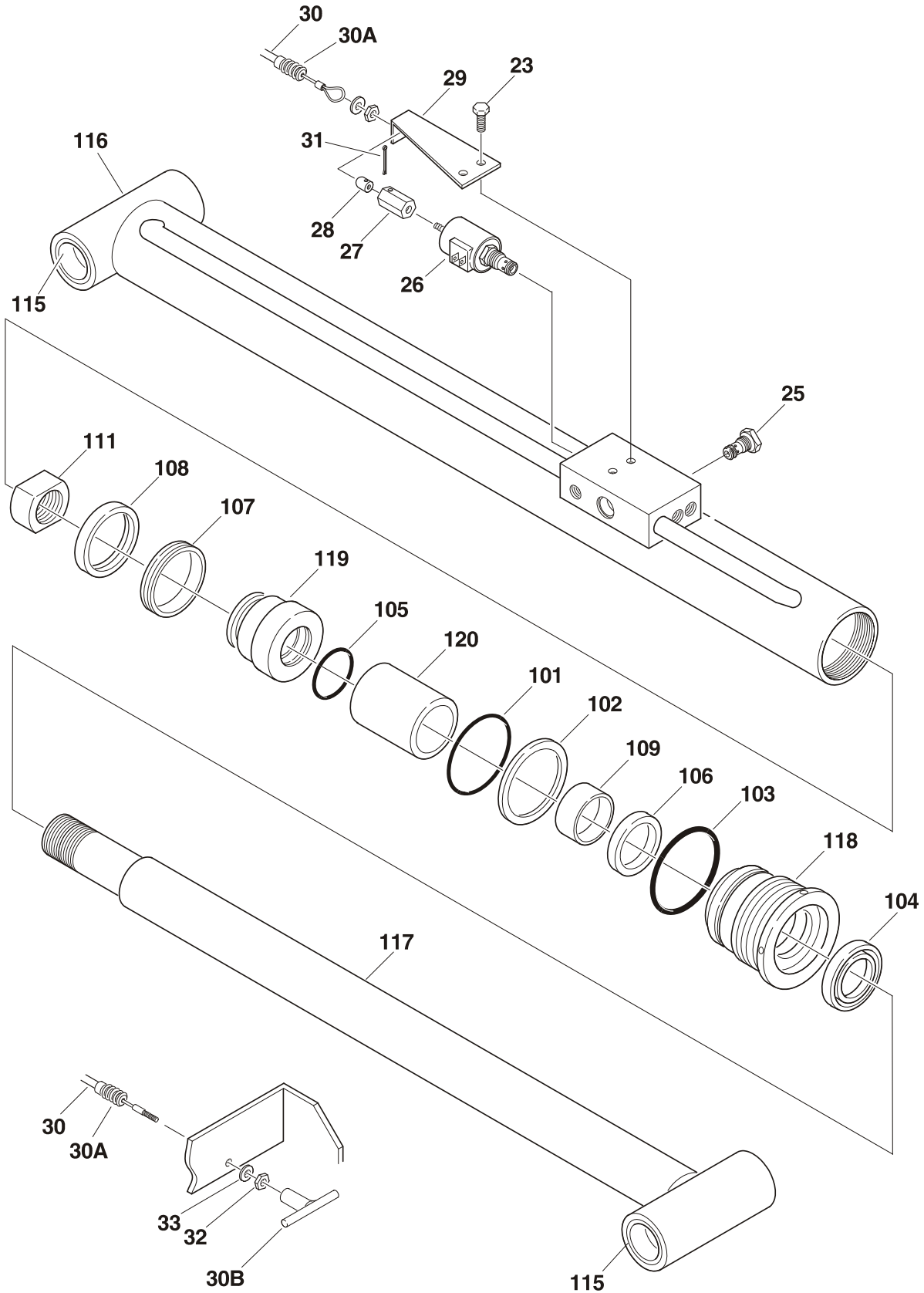
**S
E
C
T
I
O
N

5

C
Y
L
I
N
D
E
R**

SECTION 5 CYLINDER

FIGURE 5-7. LIFT CYLINDER COMPONENTS ASSEMBLY (2033E/2046E/2646E/2658E GRAVITY DOWN MACHINES)



SECTION 5 CYLINDER

SECTION 5 CYLINDER

FIGURE 5-7. LIFT CYLINDER COMPONENTS ASSEMBLY (2033E/2046E/2646E/ 2658E GRAVITY DOWN MACHINES)

FIG & ITEM #	PART NUMBER	DESCRIPTION	QTY.	REV.
		Note: To determine Power or Gravity Down refer to page A.		
		LIFT CYLINDER SUB-ASSEMBLY	Ref.	
1 to 22	Not Used			
23	0641506	Bolt 5/16"-18NC x 3/4"	4	
24	0100011	Loctite #242 (Not Shown)	A/R	
25		Cartridge, Valve (Restrictor/Check) Options:	1	
	4641002	2033E/2046E		
	4641015	2646E/2658E		
	7012953	Seal Kit - 4641002 and 4641015 Cartridges	1	
26	4641001	Cartridge, Valve (Solenoid with Manual Descent)	1	
	7017445	Cartridge - 4641001 Valve	1	
	7017444	Solenoid - 4641001 Valve	1	
	7012967	Seal Kit - 4641001 Valve	1	
27	0080228	Adapter	1	
28	4220044	Stop, Throttle (Prior to S/N 37703)	1	
29	0902371	Bracket (Prior to S/N 43167)	1	
	0902421	Bracket (S/N 43167 to Present)	1	
30	1060643	Cable Assembly (Prior to S/N 37703)	1	
	1060650	Cable Assembly (S/N 37703 to Present)	1	
30A	7019602	Bellows Kit	1	
30B	7019600	T-Handle	1	
31	3450405	Pin, Cotter	1	
32	3321402	Nut, Jam 1/4"-28NF	4	
33	4711400	Flatwasher 1/4"	4	
		LIFT CYLINDER ASSEMBLY		
	1683501	2033E/2046E	Ref.	A
	1683502	2646E/2658E	Ref.	A
101	Kit	O-Ring	1	
102	Kit	Ring, Back-up	1	
103	Kit	O-Ring	1	
104	Kit	Wiper	1	
105	Kit	O-Ring	1	
106	Kit	Seal	1	
107	Kit	Seal	1	
108	Kit	Ring, Guidelock	1	
109	Kit	Ring, Wear Options:	A/R	
		2033E/2046E	1	
		2646E/2658E	2	
110	Not Used			
111		Locknut Options:	1	
	7003212	2033E/2046E		
	7003226	2646E/2658E		

SECTION 5 CYLINDER

SECTION 5 CYLINDER

FIGURE 5-7. LIFT CYLINDER COMPONENTS ASSEMBLY (2033E/2046E/2646E/ 2658E GRAVITY DOWN MACHINES) (CONTINUED)

FIG & ITEM #	PART NUMBER	DESCRIPTION	QTY.	REV.
112 to 114	Not Used			
115	0962012	Bushing, Garmax	4	
116	Not Serviced	Barrel Weldment	1	
117		Rod Weldment	1	
	7019812	2033E/2046E		
	7019807	2646E/2658E		
118		Head Options:	1	
	7019811	2033E/2046E		
	7017387	2646E/2658E		
119		Piston Options:	1	
	7019810	2033E/2046E		
	7019806	2646E/2658E		
120		Spacer Options:	1	
	7019809	2033E/2046E		
	7019805	2646E/2658E		

		Seal Kit Options (Includes Items 101-109):	1	
	7019808	2033E/2046E - 1683501 Cylinder		
	7019804	2646E/2658E - 1683502 Cylinder		

SECTION 5 CYLINDER

SECTION 5 CYLINDER

FIGURE 5-7. LIFT CYLINDER COMPONENTS ASSEMBLY (2033E/2046E/2646E/ 2658E GRAVITY DOWN MACHINES) (CONTINUED)

FIG & ITEM #	PART NUMBER	DESCRIPTION	QTY.	REV.

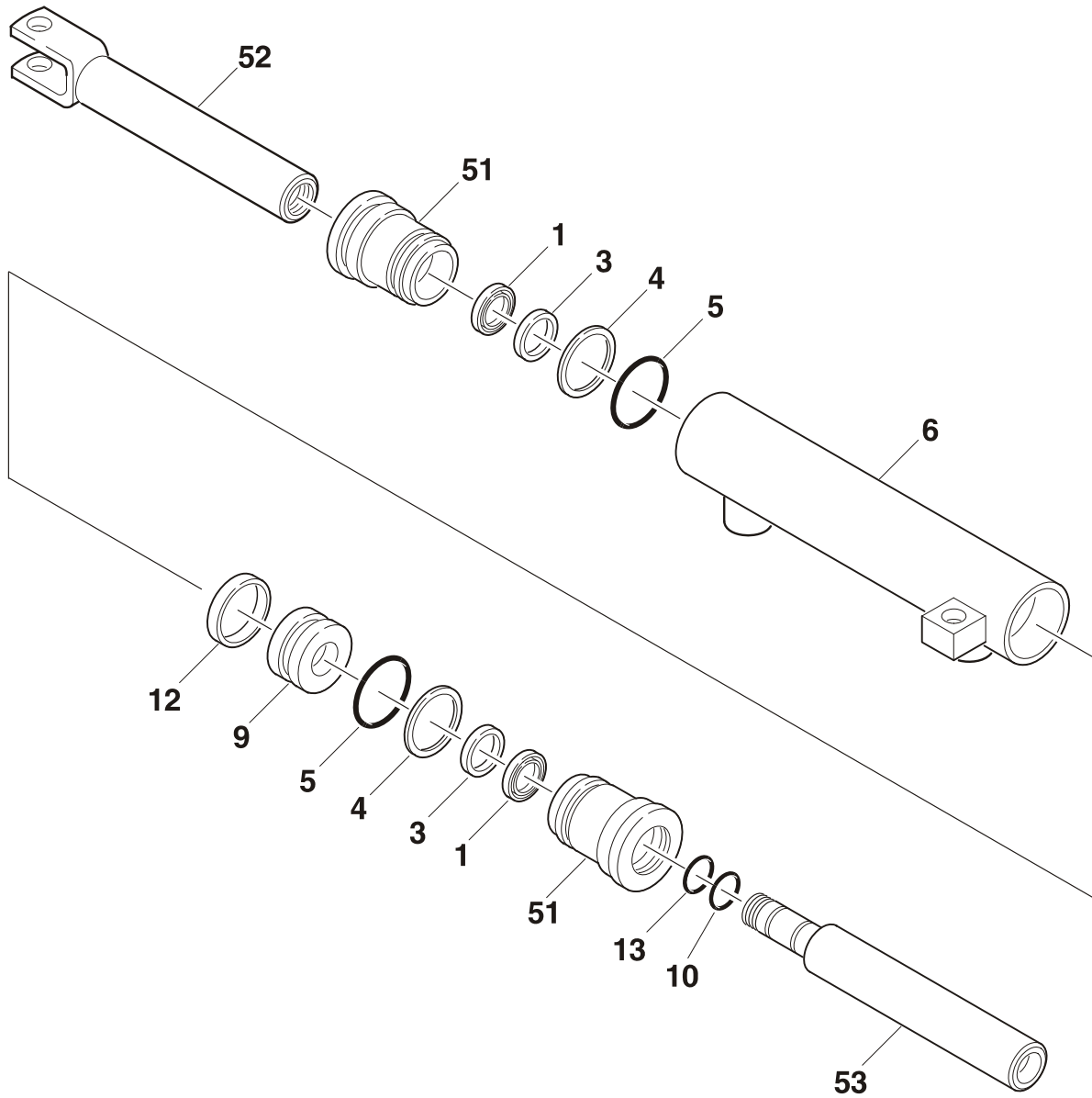
**S
E
C
T
I
O
N

5

C
Y
L
I
N
D
E
R**

SECTION 5 CYLINDER

FIGURE 5-8. STEER CYLINDER ASSEMBLY



SECTION 5 CYLINDER

SECTION 5 CYLINDER

FIGURE 5-8. STEER CYLINDER ASSEMBLY

FIG & ITEM #	PART NUMBER	DESCRIPTION	QTY.	REV.
		STEER CYLINDER ASSEMBLY (STANDARD PARTS)	Ref.	
1	Kit	Wiper	2	
2	Not Used			
3	Kit	U-Cup	2	
4	Kit	Ring, Back-up	2	
5	Kit	O-Ring	2	
6	Not Serviced	Barrel	1	
7 to 8	Not Used			
9	7016708	Piston	1	
10	Kit	O-Ring	1	
11	Not Used			
12	Kit	Seal, Piston	1	
13	Kit	O-Ring	1	

	7016707	Seal Kit- Cylinder (Includes Items 1-5, 10, 12 and 13)	1	
		STEER CYLINDER ASSEMBLY (VARIABLE PARTS)	Ref.	
	1683351	1532E/1932E/2033E PRIOR TO S/N 24267	Ref.	A
	1683428	1532E/1932E/2033E S/N 24267 TO PRESENT	Ref.	B
	1683351	2046E/2646E/2658E PRIOR TO S/N 24267	Ref.	A
	1683429	2046E/2646E/2658E S/N 24267 TO PRESENT	Ref.	B
51	Not Serviced	Guide Options:	2	
	7017207	Prior to S/N 24267		
		S/N 24267 to Present		
52		Rod with Clevis Options:	1	
	7001632	Prior to S/N 24267		
	7017208	S/N 24267 to Present		
53		Rod Options:	1	
	7016709	Prior to S/N 24267		
	7017209	S/N 24267 to Present		

SECTION 5 CYLINDER

SECTION 5 CYLINDER

FIGURE 5-8. STEER CYLINDER ASSEMBLY (CONTINUED)

FIG & ITEM #	PART NUMBER	DESCRIPTION	QTY.	REV.

**S
E
C
T
I
O
N

5

C
Y
L
I
N
D
E
R**

SECTION 6 HYDRAULIC

TABLE OF CONTENTS		
FIGURE	DESCRIPTION	PAGE
6-1	HYDRAULIC DIAGRAM - STANDARD (POWER DOWN MACHINES)	6-2
6-2	HYDRAULIC DIAGRAM - STANDARD (GRAVITY DOWN MACHINES)	6-6
6-3	HYDRAULIC DIAGRAM LIST	6-10

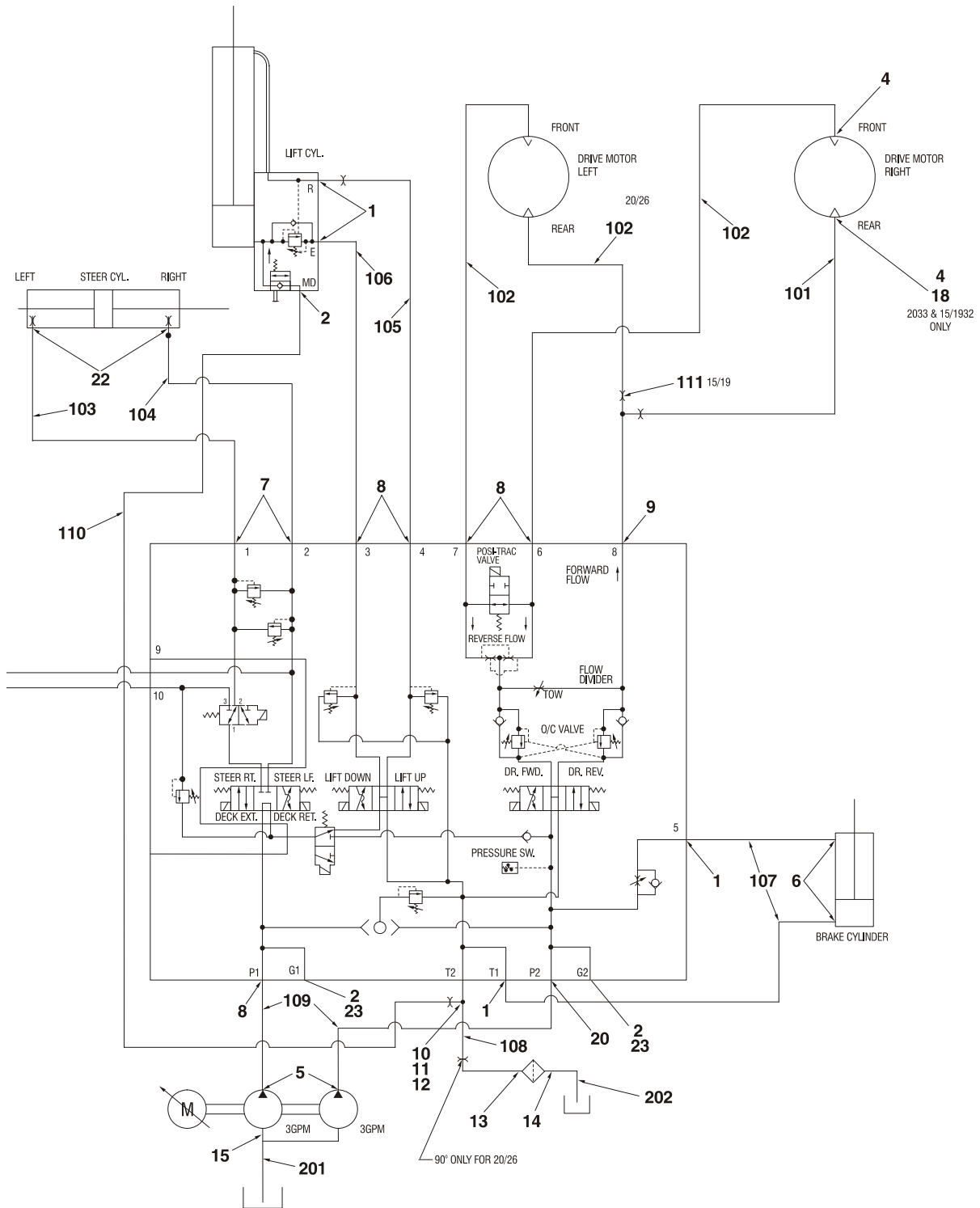
**S
E
C
T
I
O
N

6

H
Y
D
R
A
U
L
I
C**

SECTION 6 HYDRAULIC

FIGURE 6-1. HYDRAULIC DIAGRAM (POWER DOWN MACHINES)



SECTION 6 HYDRAULIC

SECTION 6 HYDRAULIC

FIGURE 6-1. HYDRAULIC DIAGRAM (POWER DOWN MACHINES)

FIG & ITEM #	PART NUMBER	DESCRIPTION	QTY.	REV.
		Note: To determine Power or Gravity Down refer to page A.		
	2792219	HYDRAULIC DIAGRAM - 1532E/1932E	Ref.	E
	2792220	HYDRAULIC DIAGRAM - 2033E	Ref.	F
	2792221	HYDRAULIC DIAGRAM - 2046E/2646E	Ref.	F
	2792222	HYDRAULIC DIAGRAM - 2658E	Ref.	F
1	2220473	Fitting, 90°	4	
2	2220466	Fitting, 90°	3	
3	2220585	Fitting, 90°	2	
4	2220218	Fitting, Reducer (1532E/1932E/2033E)	4	
	2220828	Fitting, 90° (2046E/2646E/2658E)	4	
5	2220628	Fitting, 90°(1532E/1932E)	2	
	2220372	Fitting, Straight (2033E/2046E/2646E/2658E)	2	
6	2220773	Fitting, 90°	2	
7	2220415	Fitting, Straight	2	
8	2220371	Fitting, Straight	5	
9	2220606	Fitting, Tee	1	
10	2220373	Fitting, Straight	1	
11	2220618	Fitting, Reducer	1	
12	2220602	Fitting, Tee (1532E/1932E)	1	
	2220385	Fitting, Tee (2033E/2046E/2646E/2658E)	1	
13	2220470	Fitting, Straight (1532E/1932E)	1	
	2220346	Fitting, Straight (2033E/2046E/2646E/2658E)	1	
14	2220347	Fitting, Straight	1	
15	2220664	Fitting, 90°	1	
16 to 17	Not Used			
18	2221000	Fitting, 90°(1532E/1932E/2033E Only)	4	
	7019673	Seal Kit (Hex Top Style Fitting - 1 Kit per Fitting)	A/R	
	7020072	Seal Kit (Round Top Style Fitting - 1 Kit per Fitting)	A/R	
19	0100020	Sealant, Pipe	A/R	
20	2220501	Fitting, 45°	1	
21	1320225	Clamp, Hose	1	
22	2221014	Fitting, Orifice	2	
23	2220515	Fitting, Cap	2	
		HOSE KIT	Ref.	
	2901409	1532E/1932E	Ref.	D
	2901382	2033E	Ref.	C
	2901383	2046E/2646E	Ref.	C
	2901384	2658E	Ref.	C
101	2752969	Hose (1532E/1932E)	1	
	2752956	Hose (2033E)	1	
	2752958	Hose (2046E/2646E)	1	
	2752960	Hose (2658E)	1	

SECTION 6 HYDRAULIC

SECTION 6 HYDRAULIC

FIGURE 6-1. HYDRAULIC DIAGRAM (POWER DOWN MACHINES)

FIG & ITEM #	PART NUMBER	DESCRIPTION	QTY.	REV.
102	2752968	Hose (1532E/1932E)	2	
	2752957	Hose (2033E)	3	
	2752959	Hose (2046E/2646E)	3	
	2752961	Hose (2658E)	3	
103	2752593	Hose (1532E/1932E)	2	
	2752606	Hose (2033E/2046E/2646E)	1	
	2752608	Hose (2658E)	1	
104	Not Required	Hose (1532E/1932E)	0	
	2752607	Hose (2033E/2046E/2646E)	1	
	2752609	Hose (2658E)	1	
105	2752175	Hose (1532E/1932E)	2	
	2752639	Hose (2033E/2046E/2646E/2658E)	1	
106	Not Required	Hose (1532E/1932E)	0	
	2752638	Hose (2033E/2046E/2646E/2658E)	1	
107	2752478	Hose (1532E/1932E)	2	
	2750999	Hose (2033E/2046E/2646E/2658E)	2	
108	2752496	Hose (1532E/1932E)	1	
	2752931	Hose (2033E/2046E/2646E/2658E)	1	
109	2752963	Hose (1532E/1932E)	2	
	2752463	Hose (2033E/2046E/2646E/2658E)	2	
110	2752647	Hose (1532E/1932E)	1	
	2752646	Hose (2033E/2046E/2646E/2658E)	1	
111	2752964	Hose (1532E/1932E)	1	
	Not Required	Hose (2033E/2046E/2646E/2658E)	0	
		TUBE KIT	Ref.	
	2901410	1532E/1932E	Ref.	A
	2901385	2033E/2046E/2646E/2658E	Ref.	A
201	4566968	Tube, Suction (1532E/1932E)	1	
	4566897	Tube, Suction (2033E/2046E/2646E/2658E Prior to S/N 21507)	1	
	4567026	Tube, Suction (2033E/2046E/2646E/2658E S/N 21507 to Present)	1	
202	4566969	Tube, Return (1532E/1932E)	1	
	4566898	Tube, Return (2033E/2046E/2646E/2658E)	1	

SECTION 6 HYDRAULIC

SECTION 6 HYDRAULIC

FIGURE 6-1. HYDRAULIC DIAGRAM (POWER DOWN MACHINES)

FIG & ITEM #	PART NUMBER	DESCRIPTION	QTY.	REV.

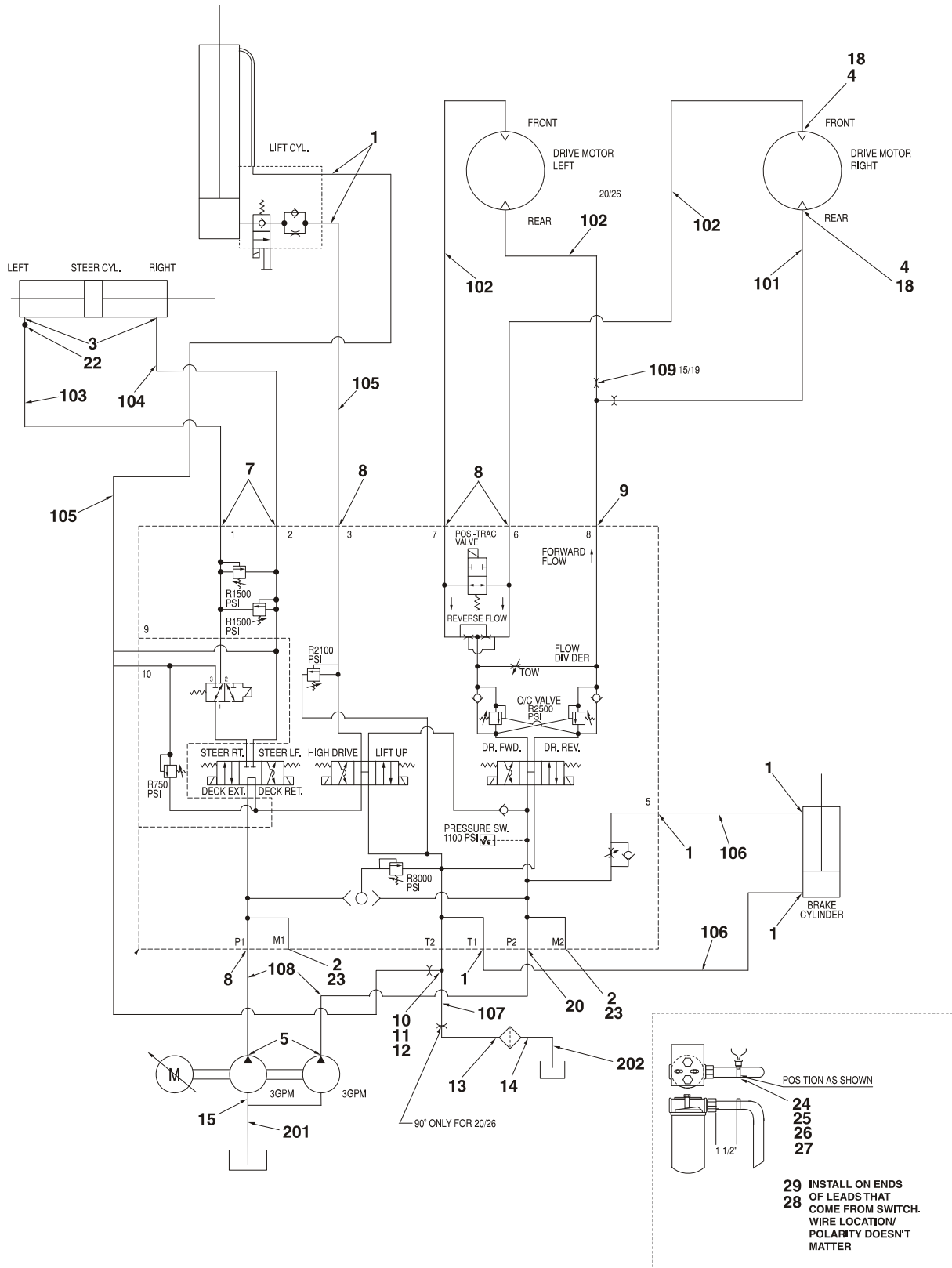
**S
E
C
T
I
O
N

6

H
Y
D
R
A
U
L
I
C**

SECTION 6 HYDRAULIC

FIGURE 6-2. HYDRAULIC DIAGRAM (GRAVITY DOWN MACHINES)



SECTION 6 HYDRAULIC

SECTION 6 HYDRAULIC

FIGURE 6-2. HYDRAULIC DIAGRAM (GRAVITY DOWN MACHINES)

FIG & ITEM #	PART NUMBER	DESCRIPTION	QTY.	REV.
		Note: To determine Power or Gravity Down refer to page A.		
	2792316	HYDRAULIC DIAGRAM - 1532E/1932E	Ref.	6
	2792317	HYDRAULIC DIAGRAM - 2033E	Ref.	7
	2792318	HYDRAULIC DIAGRAM - 2046E/2646E	Ref.	8
	2792319	HYDRAULIC DIAGRAM - 2658E	Ref.	8
1	2220473	Fitting, 90°	5	
2	2220466	Fitting, 90°	4	
3	2220585	Fitting, 90°	2	
4	2220218	Fitting, Reducer	4	
5	2220628	Fitting, 90° (1532E/1932E)	2	
	2220372	Fitting, Straight (2033E/2046E/2646E/2658E)	2	
6	2220775	Fitting, 90°	1	
7	2220415	Fitting, Straight	2	
8	2220371	Fitting, Straight	4	
9	2220606	Fitting, Tee	1	
10	2220373	Fitting, Straight	1	
11	2220619	Fitting, Reducer (1532E/1932E)	1	
	2220618	Fitting, Reducer (2033E/2046E/2646E/2658E)	1	
12	2220385	Fitting, Tee	1	
13	2220470	Fitting, Straight (1532E/1932E)	1	
	2220346	Fitting, Straight (2033E/2046E/2646E/2658E)	1	
14	2220347	Fitting, Straight	1	
15	2220664	Fitting, 90°	1	
16 to 17	Not Used			
18	2221000	Fitting, 90°	4	
	7019673	Seal Kit (Hex Top Style Fitting - 1 Kit per Fitting)	A/R	
	7020072	Seal Kit (Round Top Style Fitting - 1 Kit per Fitting)	A/R	
19	0100020	Sealant, Pipe (Not Shown)	A/R	
20	2220501	Fitting, 45°	1	
21	1320225	Clamp, Hose	1	
22	2221014	Fitting, Orifice	1	
23	2220515	Fitting, Cap	4	
24	1320242	Clamp	1	
25	4360461	Switch, Temperature	1	
26	3310601	Nut #6-32	1	
27	0100011	Loctite #242	A/R	
28	4460320	Plug, Terminal	1	
29	4460267	Pins	2	

SECTION 6 HYDRAULIC

SECTION 6 HYDRAULIC

FIGURE 6-2. HYDRAULIC DIAGRAM (GRAVITY DOWN MACHINES)

FIG & ITEM #	PART NUMBER	DESCRIPTION	QTY.	REV.
	2901489	HOSE KIT - 1532E/1932E	Ref.	2
	2901490	HOSE KIT - 2033E	Ref.	2
	2901491	HOSE KIT - 2046E/2646E	Ref.	2
	2901492	HOSE KIT - 2658E	Ref.	2
101	2752969	Hose (1532E/1932E)	1	
	2752956	Hose (2033E)	1	
	2752958	Hose (2046E/2646E)	1	
	2752960	Hose (2658E)	1	
102	2752968	Hose (1532E/1932E)	2	
	2752957	Hose (2033E)	3	
	2752959	Hose (2046E/2646E)	3	
	2752961	Hose (2658E)	3	
103	2752593	Hose (1532E/1932E)	2	
	2752606	Hose (2033E/2046E/2646E)	1	
	2752608	Hose (2658E)	1	
104	Not Required	Hose (1532E/1932E)	0	
	2752607	Hose (2033E/2046E/2646E)	1	
	2752609	Hose (2658E)	1	
105	2752175	Hose (1532E/1932E)	2	
	2752638	Hose (2033E/2046E/2646E/2658E)	1	
106	2752478	Hose (1532E/1932E)	2	
	2750999	Hose (2033E/2046E/2646E/2658E)	2	
107	2752496	Hose (1532E/1932E)	1	
	2752931	Hose (2033E/2046E/2646E/2658E)	2	
108	2752963	Hose (1532E/1932E)	2	
	2752463	Hose (2033E/2046E/2646E/2658E)	1	
109	2752964	Hose (1532E/1932E)	1	
	Not Required	Hose (2033E/2046E/2646E/2658E)		
		TUBE KIT	Ref.	
	2901410	1532E/1932E	Ref.	A
	2901385	2033E/2046E/2646E/2658E	Ref.	A
201	4566968	Tube, Suction (1532E/1932E)	1	
	4566897	Tube, Suction (2033E/2046E/2646E/2658E Prior to S/N 21507)	1	
	4567026	Tube, Suction (2033E/2046E/2646E/2658E S/N 21507 to Present)	1	
202	4566969	Tube, Return (1532E/1932E)	1	
	4566898	Tube, Return (2033E/2046E/2646E/2658E)	1	

SECTION 6 HYDRAULIC

SECTION 6 HYDRAULIC

FIGURE 6-2. HYDRAULIC DIAGRAM (GRAVITY DOWN MACHINES)

FIG & ITEM #	PART NUMBER	DESCRIPTION	QTY.	REV.

**S
E
C
T
I
O
N

6

H
Y
D
R
A
U
L
I
C**

SECTION 6 HYDRAULIC

FIGURE 6-3.HYDRAULIC DIAGRAM LIST

FIG & ITEM #	PART NUMBER	DESCRIPTION	QTY.	REV.
		Note: Diagram with asterisk (*) are shown in the preceding pages. Information on diagrams not shown is available from JLG Service/Parts Departments.		
	1282480*	Hydraulic Diagrams - Standard (Power Down Machines)	Ref.	
	2792219*	1532E/1932E	Ref.	
	2792220*	2033E	Ref.	
	2792221*	2046E/2646E	Ref.	
	2792222*	2658E	Ref.	
	1282726*	Hydraulic Diagrams - Standard (Gravity Down Machines)	Ref.	
	2792316*	1532E/1932E	Ref.	
	2792317*	2033E	Ref.	
	2792318*	2046E/2646E	Ref.	
	2792319*	2658E	Ref.	

SECTION 6 HYDRAULIC

SECTION 7 ELECTRICAL

TABLE OF CONTENTS

FIGURE	DESCRIPTION	PAGE
7-1	ELECTRICAL DIAGRAM LIST	7-2
7-2	STANDARD ELECTRICAL DIAGRAM (POWER DOWN MACHINES).....	7-4
7-3	STANDARD ELECTRICAL DIAGRAM (GRAVITY DOWN MACHINES).....	7-6
7-4	HARNESS AND CABLE ASSEMBLIES	7-8

SECTION 7 ELECTRICAL

FIGURE 7-1.ELECTRICAL DIAGRAM LIST

FIG & ITEM #	PART NUMBER	DESCRIPTION	QTY.	REV.
		Note: Diagrams with asterisks (*) are shown in the following pages. Diagrams not shown are available from the JLG Service Department.		
	1282507/1282773*	ALARMS ELECTRICAL DIAGRAM	Ref.	G/F
	1282507/1282773*	BEACON LIGHT ELECTRICAL DIAGRAM	Ref.	G/F
	1282507/1282773*	GENERATOR ELECTRICAL DIAGRAM	Ref.	G/F
	1282430*	GROUND TO PLATFORM CABLE ASSEMBLIES	Ref.	–
	4921753*	Cable Assembly - 1532E	Ref.	A
	4921754*	Cable Assembly - 1932E	Ref.	A
	4921755*	Cable Assembly - 2033E/2046E	Ref.	A
	4921756*	Cable Assembly - 2646E/2658E	Ref.	A
	0257665	PERIMETER SWITCHES ELECTRICAL	Ref.	2/B
	0253616/0254367	PLATFORM EXTENSION SWITCH ELECTRICAL DIAGRAM	Ref.	B/–
	1282507/1282773*	PLATFORM WORKLIGHTS ELECTRICAL DIAGRAM	Ref.	E
	1282507*	STANDARD ELECTRICAL DIAGRAM (POWER DOWN MACHINES)	Ref.	G
	4932832	1532E/1932E	Ref.	6
	4932831	2033E/2046E/2646E/2658E	Ref.	7
	1282773*	STANDARD ELECTRICAL DIAGRAM (GRAVITY DOWN MACHINES)	Ref.	F
	4932973	1532E/1932E	Ref.	4
	4932972	2033E/2046E/2646E/2658E (CE Spec)	Ref.	3
	4933005	2033E/2046E/2646E/2658E (Australian Spec)	Ref.	3
	1282507/1282773*	TILT SWITCH ELECTRICAL DIAGRAM	Ref.	G/F

SECTION 7 ELECTRICAL

SECTION 7 ELECTRICAL

FIG & ITEM #	PART NUMBER	DESCRIPTION	QTY.	REV.

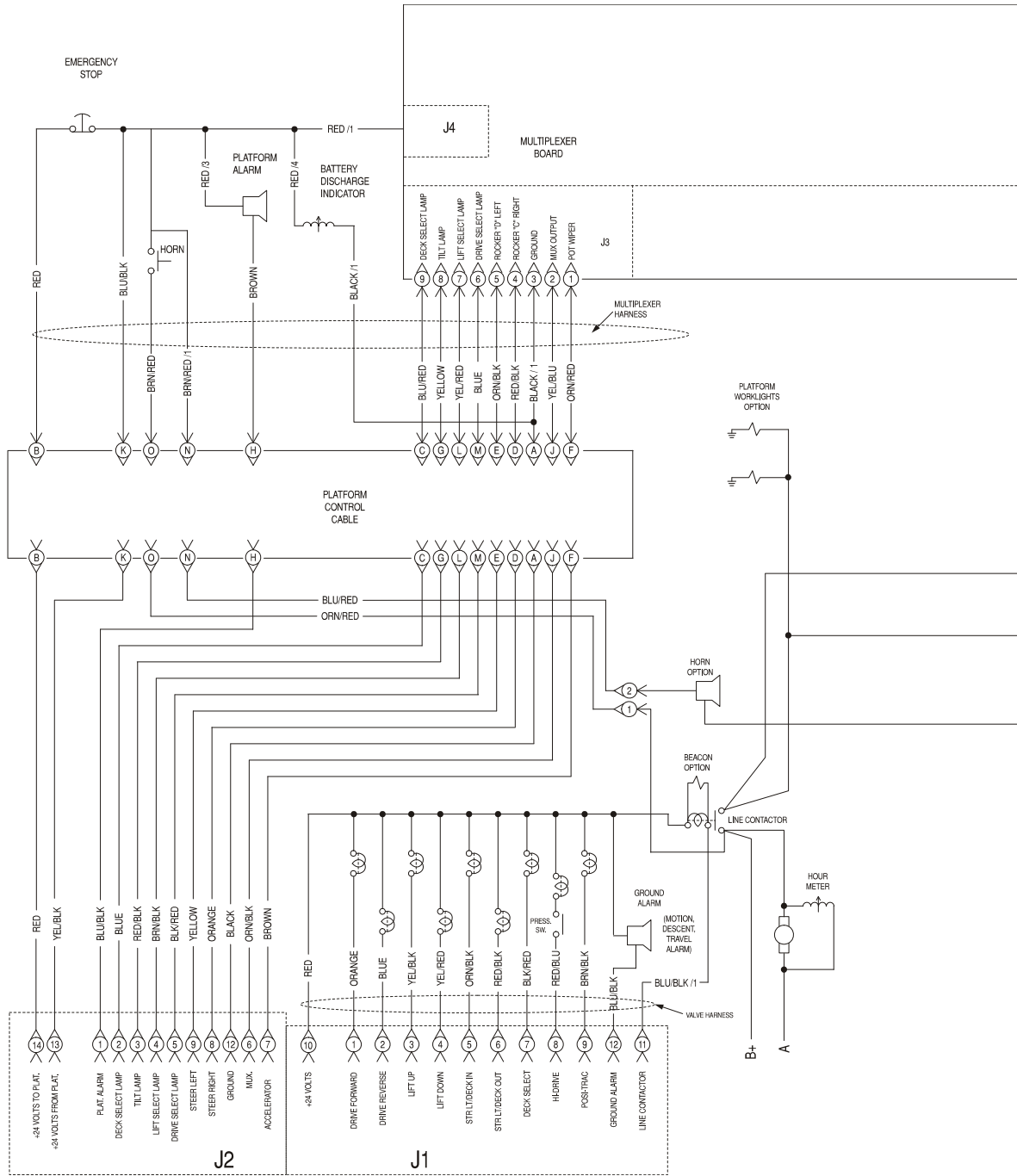
**S
E
C
T
I
O
N

7

E
L
E
C
T
R
I
C
A
L**

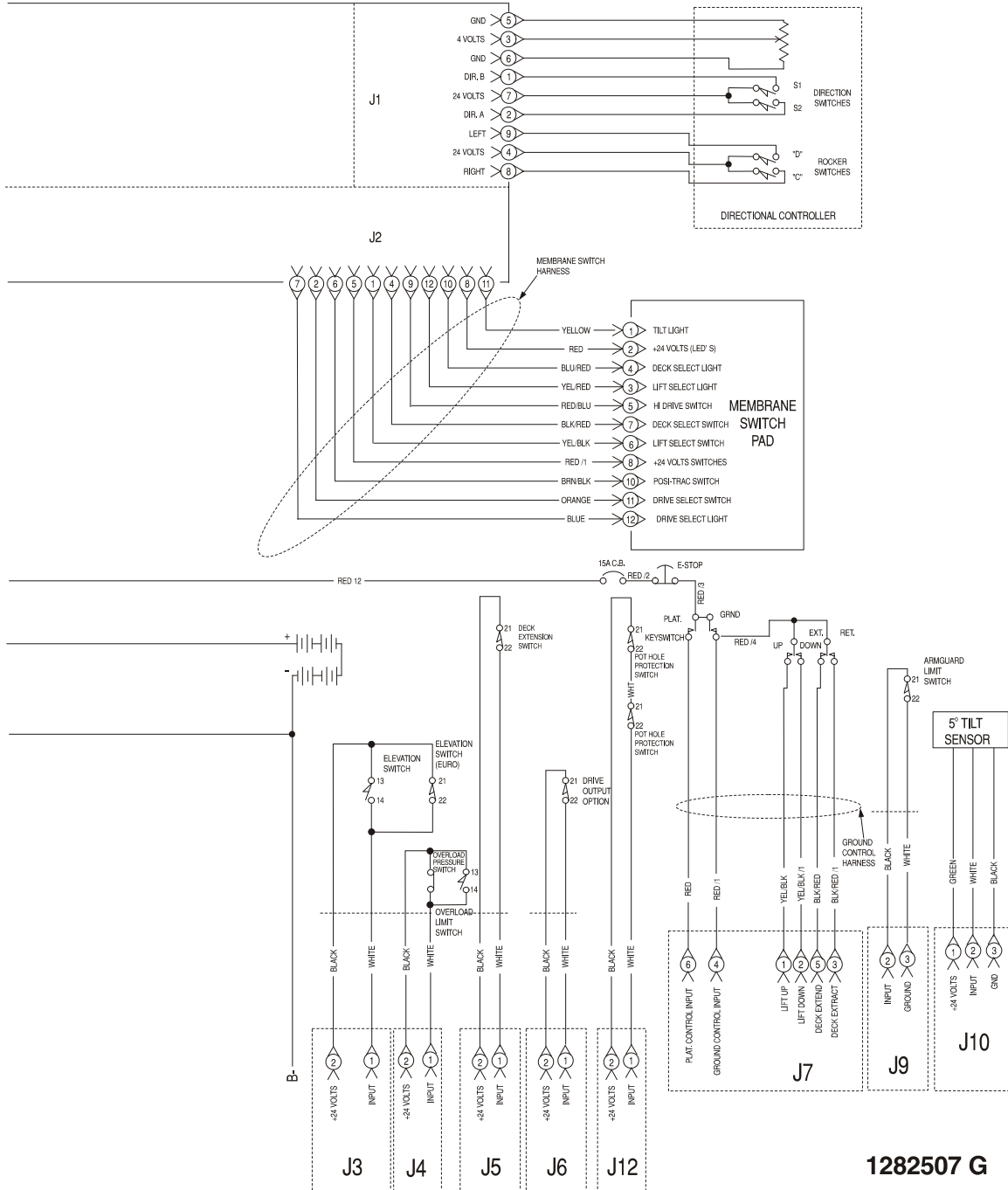
SECTION 7 ELECTRICAL

FIGURE 7-2. STANDARD ELECTRICAL DIAGRAM (POWER DOWN MACHINES)



SECTION 7 ELECTRICAL

SECTION 7 ELECTRICAL

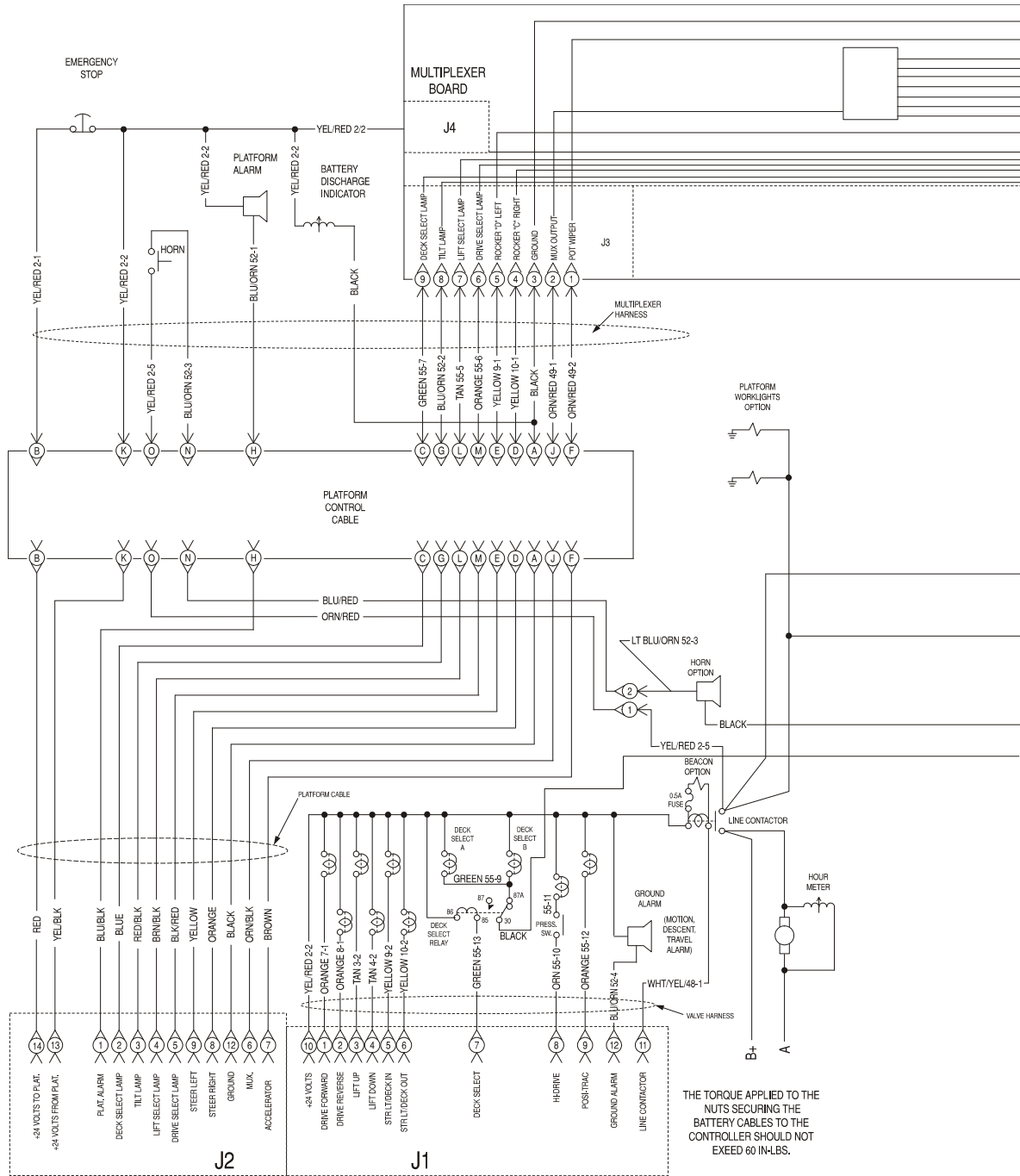


SECTION 7 ELECTRICAL

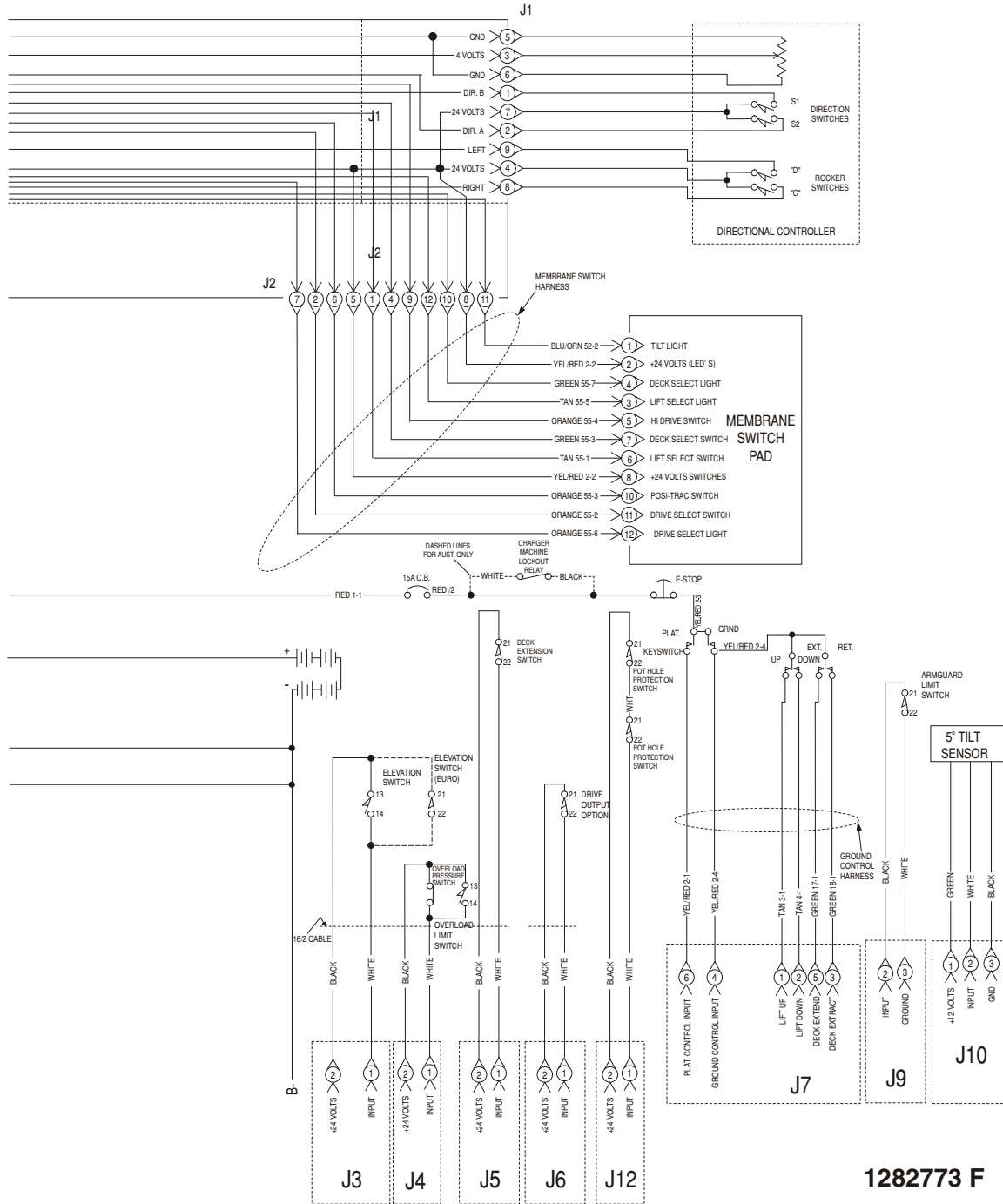
SECTION 7 ELECTRICAL

FIGURE 7-3. STANDARD ELECTRICAL DIAGRAM (GRAVITY DOWN MACHINES)

SECTION 7 ELECTRICAL



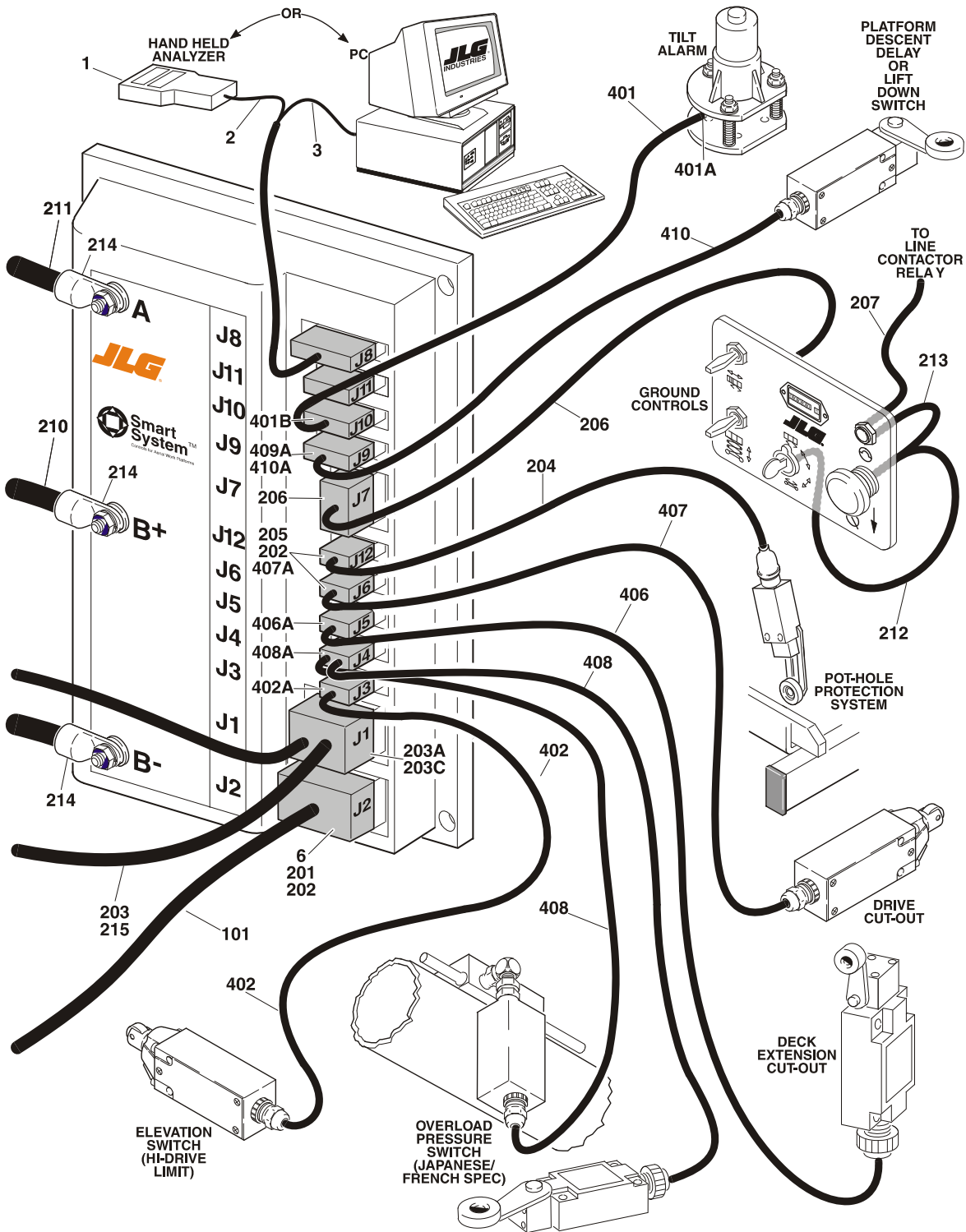
SECTION 7 ELECTRICAL



1282773 F

SECTION 7 ELECTRICAL

SECTION 7 ELECTRICAL



SECTION 7 ELECTRICAL

SECTION 7 ELECTRICAL

FIGURE 7-4. HARNESS AND CABLE ASSEMBLIES

FIG & ITEM #	PART NUMBER	DESCRIPTION	QTY.	REV.
		Note: To determine Power or Gravity Down refer to page A.		
		TOOLS	Ref.	
	2900874	Configurator Kit (Computer Software Kit)	1	
	2901443	Analyzer and Cable Kit (Includes 1600244 & 1060633)	1	
1	1600244	Analyzer, SMART System Controller	1	
2	1060633	Cable, Communication (Analyzer to Controller)	1	
3	1060629	Cable, Communication (PC to Controller)	1	
4	7002821	Crimper (For Wire to Pin/Socket Connections)	1	
5	7002823	Extractor (For Removal of Pins/Sockets from Connectors)	1	
6	4460467	Extractor - 16-18 Gauge (For Removal of Pins/Sockets from Deutsch Connectors)	1	
	4460510	Extractor - 12-14 Gauge (For Removal of Pins/Sockets from Deutsch Connectors)	1	
7	7002828	Stripper, Wire	1	
	0100048	Compound, Silicone (Use on connectors/receptacles)	A/R	
	1282430	CABLE ASSEMBLIES - GROUND TO PLATFORM Note: Assemblies do not include connectors at controller.	Ref.	-
	4921753	CABLE ASSEMBLY - 1532E	Ref.	B
	4921754	CABLE ASSEMBLY - 1932E	Ref.	B
	4921755	CABLE ASSEMBLY - 2033E/2046E	Ref.	A
	4921756	CABLE ASSEMBLY - 2646E/2658E	Ref.	A
101	1060608	Cable, Electrical - 18/14	A/R	
		1532E	36FT/11M	
		1932E	42FT/12.8M	
		2033E/2046E	46FT/14M	
		2646E/2658E	54FT/16.5M	
102	4460473	Clamp, Cable	1	
103	4460468	Cap, Dust	1	
104	4460462	Connector - 23 Pin	1	
105	4460465	Socket, Female	A/R	
106	4460466	Plug, Sealing	A/R	

SECTION 7 ELECTRICAL

SECTION 7 ELECTRICAL

FIGURE 7-4. HARNESS AND CABLE ASSEMBLIES (CONTINUED)

FIG & ITEM #	PART NUMBER	DESCRIPTION	QTY.	REV.
		WIRING DIAGRAMS	Ref.	
	4932832	1532E/1932E Power Down Units	Ref.	6
	4932973	1532E/1932E Gravity Down Units	Ref.	4
	4932831	2033E/2046E/2646E/2658E Power Down Units	Ref.	7
	4932972	2033E/2046E/2646E/2658E Gravity Down Units (CE Spec)	Ref.	3
	4933005	2033E/2046E/2646E/2658E Gravity Down Units (Australia Spec)	Ref.	3
		Note: To determine Power or Gravity Down refer to page A.		
201	4460434	Connector - 15 Pin	1	
202	4460268	Socket, Female	18	
203		Harness, Valve	1	
	4921784	Power Down Machines except S/N 31325-31329		E
	4921889	Power Down Machines S/N 31325-31329 Only		1/A
	4921958	Gravity Down Machines (Prior to S/N 36817)		1/A
	4922013	Gravity Down Machines (S/N 36817 to S/N 37824)		2
	4922025	Gravity Down Machines (S/N 37824 to Present)		1/A
203A	4460268	Socket	12	
203B	4460449	Connector, DIN	10	
203C	4460343	Connector - 12 Pin	1	
204	1060341	Cable, Electrical - 16/2	27ft/8.23m	
205	4460320	Connector - 2 Pin	4	
206		Harness - Ground Control	1	
	4921786	1532E/1932E Power Down Machines		B
	4921894	1532E/1932E Gravity Down Machines		B
	4921785	2033E/2046E/2646E/2658E Power Down Machines		B
	4921890	2033E/2046E/2646E/2658E Gravity Down Machines		B
206A	4460268	Socket	A/R	
	4460225	Connector - 6 Pin	1	
207		Harness - Ground Power	1	
	4921831	Power Down Machines		
	4922014	1532E/1932E Gravity Down Machines		
	4921891	2033E/2046E/2646E/2658E Gravity Down Machines		
208	Not Used			
209	4460267	Pin	2	
210		Cable, Battery	1	
	1060636	1532E/1932E		
	1060561	2033E/2046E/2646E/2658E		
211	1060622	Cable, Battery	2	
212		Harness - Keyswitch	1	
	4921832	Power Down Machines		B
	4921892	Gravity Down Machines		2/B
213		Harness - Emergency Stop	1	
	4921833	Power Down Machines		B
	4921893	Gravity Down Machines		2/B

SECTION 7 ELECTRICAL

SECTION 7 ELECTRICAL

FIGURE 7-4. HARNESS AND CABLE ASSEMBLIES (CONTINUED)

FIG & ITEM #	PART NUMBER	DESCRIPTION	QTY.	REV.
214	0840025	Boot, Terminal	6	
215	4922011	Harness - Lift Down (S/N 36817 to Present)	1	
PLATFORM CONSOLE BOX ASSEMBLIES			Ref.	
Note: To determine Power or Gravity Down refer to page A.				
301 to 304	Not Used			
305	7003999	Harness-Controller (OEM) (Prior to S/N 29608)	1	
	7019101	Harness-Controller (OEM) (S/N 29608 to Present)	1	
	Not Available	Harness-Controller (PQ) (Part of 7011980 Electrical Assembly)	0	
305A	4460265	Connector	1	
	4460267	Pin, Male	A/R	
306 to 317	Not Used			
318	4460463	Receptacle, Male - 23 Pin	1	
319	4460470	Nut, Receptacle	1	
320	4460471	Lockwasher, Receptacle	1	
321		Harness - Membrane Switch	1	
	4921782	Power Down Machines		B
	4921895	Gravity Down Machines		1/A
321A	4460268	Socket, Female	A/R	
321B	4460343	Receptacle	2	
321C	4460267	Pin, Male	A/R	
322		Harness - Platform Console Box	1	
	4921783	Power Down Machines		6
	4921896	Gravity Down Machines		3/C
	0100048	Compound, Silicone	A/R	
322A	4460464	Pin, Male	A/R	
322B	4460267	Pin, Male	A/R	
	4460265	Receptacle	1	
ACCESSORIES HARNESS ASSEMBLIES			Ref.	
Note: To determine Power or Gravity Down refer to page A.				
401	4921819	Harness - Tilt Alarm	1	A
	1060330	Cable, Electrical - 16/3	8ft/2.4m	
401A	4460445	Connector - 3 Pin	1	
	4460227	Pin, Male	3	
401B	4460326	Plug, Connector	1	
	4460268	Socket, Female	3	
402	Not Available	Harness - Hi-Drive Limit	1	
	1060341	Cable, Electrical - 16/2 (Prior to S/N 46829)	6ft/1.8m	
	1060680	Cable, Electrical - 18/2 (S/N 46829 to Present)	78in/2m	
402A	4460320	Housing, Terminal	1	
	4460268	Socket, Female	2	

SECTION 7 ELECTRICAL

SECTION 7 ELECTRICAL

FIGURE 7-4. HARNESS AND CABLE ASSEMBLIES (CONTINUED)

FIG & ITEM #	PART NUMBER	DESCRIPTION	QTY.	REV.
403		Harness - Horn	1	
	4921821	Power Down Machines		2
	4921988	Gravity Down Machines		1/A
403A	4460424	Receptacle - 2 Position	1	
	4460268	Socket, Female	2	
404	4921822	Harness - Beacon (Prior to S/N 44696)	1	
	1060341	Cable, Electrical - 16/2 (S/N 44696 to Present)	10ft/3.0m	
405	Not Available	Harness - Worklight	1	
	1060341	Cable, Electrical - 16/2	A/R	
		1532E	40ft/12.2m	
		1932E	48ft/14.6m	
		2033E/2046E	54ft/16.5m	
		2646E/2658E	61ft/18.6m	
	4360164	Breaker, Circuit - 5 Amp (Not Shown)	1	
406	Not Available	Harness - Deck Extend Cutout	1	
	1060341	Cable, Electrical - 16/2	A/R	
		1532E	22FT/6.7M	
		1932E	38FT/11.6M	
		2033E/2046E	46FT/14M	
		2646E/2658E	54FT/16.5M	
406A	4460320	Connector	1	
	4460268	Socket, Female	2	
407	Not Available	Harness - Drive Cutout	1	
	1060341	Cable, Electrical - 16/2	9ft/2.74m	
407A	4460320	Housing, Terminal	1	
	4460268	Socket, Female	2	
408	Not Available	Harness - Overload (Japanese/French Spec)	1	
	1060341	Cable, Electrical - 16/2	35ft/11m	
408A	4460320	Housing, Terminal	1	
	4460268	Socket, Female	2	
409	Not Available	Harness - Lift Down Switch (When Equipped)	1	
	1060341	Cable, Electrical - 16/2	A/R	
409A	4460320	Connector	1	
	4460268	Socket, Female	2	
410	Not Available	Harness - Platform Descent Delay Switch (1532E-2646E Euro Machines Only with S/N 30542 or Newer)	1	
	1060341	Cable, Electrical - 16/2	6ft/1.8m	
410A	4460320	Housing, Terminal	1	
	4460268	Socket, Female	2	
		GROUND CONTROL BOX ASSEMBLIES	Ref.	
		Note: To determine Power or Gravity Down refer to page A.		
501		Harness, Relay	1	
	4921986	Power Down Machines		1/A
	4921990	Gravity Down Machines		1/A
501A	3740069	Relay	1	
502	4460259	Terminal (S/N 31685 to Present)	2	

SECTION 7 ELECTRICAL

SECTION 7 ELECTRICAL

FIGURE 7-4. HARNESS AND CABLE ASSEMBLIES (CONTINUED)

FIG & ITEM #	PART NUMBER	DESCRIPTION	QTY.	REV.
503	4460260	Housing, Terminal (S/N 31685 to Present)	2	
504		Battery Cable Harness Assembly	1	
	1060606	1532E/1932E		3/C
	1060605	2033E/2046E/2646E/2658E		2/B
504A	4460618	Connector, Anderson	2	

SECTION 7 ELECTRICAL

SECTION 8 DECALS

TABLE OF CONTENTS		
FIGURE	DESCRIPTION	PAGE
8-1	DECALS INSTALLATION - 1532E/1932E POWER DOWN MACHINES	8-2
8-2	DECALS INSTALLATION - 1532E/1932E GRAVITY DOWN MACHINES	8-6
8-3	DECALS INSTALLATION - 2033E/2046E/2646E/2658E POWER DOWN MACHINES	8-12
8-4	DECALS INSTALLATION -2033E/2046E/2646E/2658E GRAVITY DOWN MACHINES	8-18

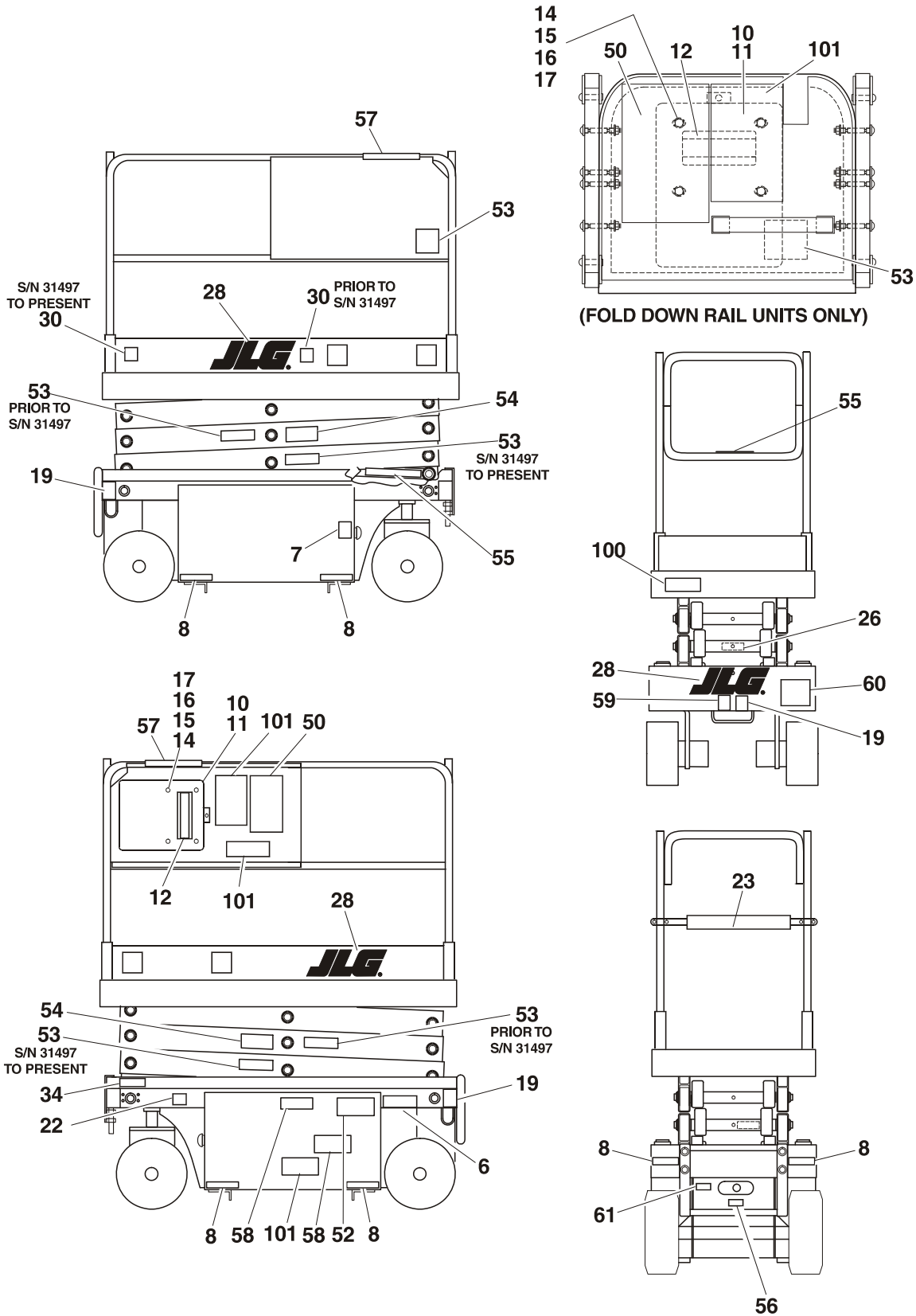
**S
E
C
T
I
O
N

8

D
E
C
A
L
S**

SECTION 8 DECALS

FIGURE 8-1.DECALS INSTALLATION - 1532E/1932E POWER DOWN MACHINES



SECTION 8 DECALS

SECTION 8 DECALS

FIGURE 8-1. DECALS INSTALLATION - 1532E/1932E POWER DOWN MACHINES

FIG & ITEM #	PART NUMBER	DESCRIPTION	QTY.	REV.
		Note: To determine Power or Gravity Down refer to Page A		
	0256975	DECAL INSTALLATION (COMMON PARTS)	Ref.	-
		DECAL INSTALLATION (STANDARD PARTS)	Ref.	
1 to 5	Not Used			
6	Not Available	Nameplate - Serial Number	1	
7	1701504	Decal - Hydraulic Oil	1	
8	1701508	Decal - Fork Lift Area (Prior to S/N 31497)	6	
9	Not Used			
10	0860520	Box, Manual Storage	1	
11	1060279	Cable, Lanyard	1	
12	1701509	Decal - Manual	1	
13	Not Used			
14	0641405	Bolt 1/4"-20NC x 5/8"	4	
15	4751400	Flatwasher 1/4"	4	
16	4761400	Lockwasher 1/4"	4	
17	3311401	Nut 1/4"-20NC	4	
18	Not Used			
19	1702300	Decal - Tie Down	3	
20 to 21	Not Used			
22	1701510	Decal - Manual Descent	1	
23	3340564	Pad	2ft/61cm	
24 to 25	Not Used			
26	1702939	Decal - Prop Location	1	
27	3251813	Decal - Made in USA	1	
28	1702773	Decal - JLG	3	
29	Not Used			
30	1702631	Decal - Bar Code	1	
31 to 33	Not Used			
34	1703101	Decal - Maximum Tire Load	2	
		DECAL INSTALLATION (VARIABLE PARTS)	Ref.	
	0256812	Australian Spec (1532E)	Ref.	3
	0256813	Australian Spec (1932E)	Ref.	4
	0256483	Dutch Spec (1532E)	Ref.	5
	0256476	Dutch Spec (1932E)	Ref.	6
	0256482	UK English Spec (1532E)	Ref.	5
	0256477	UK English Spec (1932E)	Ref.	6
	0256485	French Spec (1532E)	Ref.	5
	0256474	French Spec (1932E)	Ref.	6
	0256486	German/Austrian Spec (1532E)	Ref.	5
	0256473	German/Austrian Spec (1932E)	Ref.	6
	0256481	Italian Spec(1532E)	Ref.	5
	0256472	Italian Spec(1932E)	Ref.	6
	0256484	Spanish Spec (1532E)	Ref.	5
	0256475	Spanish Spec (1932E)	Ref.	6

SECTION 8 DECALS

SECTION 8 DECALS

FIGURE 8-1. DECALS INSTALLATION - 1532E/1932E POWER DOWN MACHINES (CONTINUED)

FIG & ITEM #	PART NUMBER	DESCRIPTION	QTY.	REV.
50		Decal - Caution	1	
	1701523	Australian Spec		
	1701648	Dutch Spec		
	1701629	French Spec		
	1701630	German/Austrian Spec		
	1701632	Italian Spec		
	1701861	Spanish Spec		
	1701523	UK English Spec		
51		Decal - Safety Prop	2	
	1701839	Australian Spec		
	1701615	Dutch Spec		
	1701512	French Spec		
	1701519	German/Austrian Spec		
	1701524	Italian Spec		
	1701856	Spanish Spec		
	1701839	UK English Spec		
52		Decal - Ground Control	1	
	1702248	Australian Spec		
	1701616	Dutch Spec		
	1701515	French Spec		
	1701525	German/Austrian Spec		
	1701535	Italian Spec		
	1701858	Spanish Spec		
	1702248	UK English Spec		
53		Decal - Electrocution	3	
	1703156	Australian Spec		
	Not Required	Dutch/French/German/Austrian/Italian/Spanish/UK English Spec		
54		Decal - Crushing	2	
	1703158	Australian Spec		
	Not Required	Dutch/French/German/Austrian/Italian/Spanish/UK English Spec		
55		Decal - Caution (Flat Surface)	1	
	1703154	Australian Spec		
	Not Required	Dutch/French/German/Austrian/Italian/Spanish/UK English Spec		
56		Decal - Battery Fluid	1	
	1703155	Australian Spec		
	Not Required	Dutch/French/German/Austrian/Italian/Spanish/UK English Spec		
57		Decal - Rail Warning	1	
	1703157	Australian Spec		
	Not Required	Dutch/French/German/Austrian/Italian/Spanish/UK English Spec		

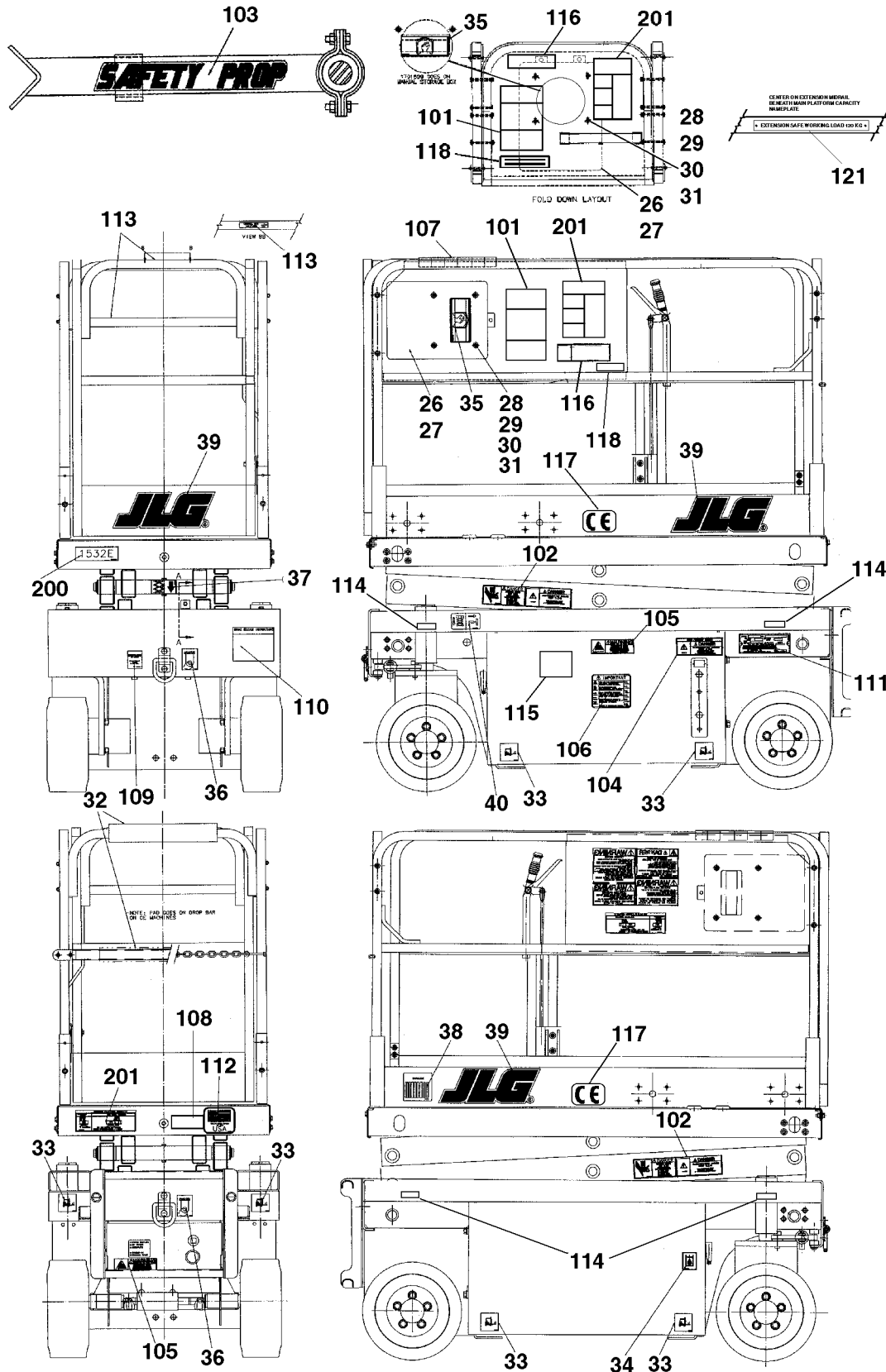
SECTION 8 DECALS

FIGURE 8-1. DECALS INSTALLATION - 1532E/1932E POWER DOWN MACHINES (CONTINUED)

FIG & ITEM #	PART NUMBER	DESCRIPTION	QTY.	REV.
58		Decal - Platform/Ground Control Switch Operation (S/N 31497 to Present Only)	1	
	1703210	Australian Spec		
	1703240	Dutch Spec		
	1703405	French Spec		
	1703406	German/Austrian Spec		
	1703407	Italian Spec		
	1703409	Spanish Spec		
59	1703410	UK English Spec	1	
		Decal - Towing/Winching (S/N 31497 to Present Only)		
	1703191	Australian Spec		
	1703196	Dutch Spec		
	1703193	French Spec		
	1703192	German/Austrian Spec		
	1703195	Italian Spec		
60	1703194	Spanish Spec	1	
	1703191	UK English Spec		
		Decal - Towing/Winching (Graphic) (S/N 31497 to Present Only)		
	1703398	Australian Spec		
	1703418	Dutch Spec		
	1703415	French Spec		
	1703414	German/Austrian Spec		
61	1703417	Italian Spec	1	
	1703416	Spanish Spec		
	1703398	UK English Spec		
		Decal - Warning (1532E with S/N 32667 to Present Only)		
	1702279	Australian Spec		
	Not Required	Dutch/French/German/Austrian/Italian/Spanish/UK English Spec		
		DECAL INSTALLATION (OPTIONAL PARTS)		
100		Decal - Model Options:	1	
	3252467	1532E		
	3252468	1932E		
101		Nameplate - Capacity Options:	2	
	3252511	1532E Australian Spec		
	3252517	1532E Euro Spec		
	3252512	1932E Australian Spec		
	3252518	1932E Euro Spec		
102	0251642	Warning Stripes Installation (Not Shown)	A/R	
	4420052	Tape, Safety	4ft/1.2m	
103	0255981	"CE" Decals Installation (Not Shown)	A/R	A
	1702928	Decal - CE		

SECTION 8 DECALS

FIGURE 8-2.DECALS INSTALLATION - 1532E/1932E GRAVITY DOWN MACHINES



SECTION 8 DECALS

SECTION 8 DECALS

FIGURE 8-2. DECALS INSTALLATION - 1532E/1932E GRAVITY DOWN MACHINES

FIG & ITEM #	PART NUMBER	DESCRIPTION	QTY.	REV.
		Note: To determine Power or Gravity Down refer to Page A		
	0257342	DECAL INSTALLATION (STANDARD PARTS)	Ref.	5
1 to 25	Not Used			
26	0860520	Box, Manual Storage	1	
27	1060279	Cable, Lanyard	1	
28	0641405	Bolt 1/4"-20NC x 5/8"	4	
29	4751400	Flatwasher 1/4"	4	
30	4761400	Lockwasher 1/4" (Prior to S/N 38530)	4	
31	3311401	Nut 1/4"-20NC (Prior to S/N 38530)	4	
	3311405	Locknut 1/4"-20NC (S/N 38530 to Present)	4	
32	3340564	Pad (Prior to S/N 46777)	2ft/61cm	
	3340612	Pad (S/N 46777 to Present)	2ft/61cm	
33	1703073	Decal - Fork Lift Area	A/R	
34	1701504	Decal - Hydraulic Oil	1	
35	1701509	Decal - Manual	1	
36	1702300	Decal - Tie-Down	2	
37	1702939	Decal - Prop Location	1	
38	Not Available	Decal - Bar Code	1	
39	1702773	Decal - JLG	3	
40	1701510	Decal - Manual Descent	1	
		DECAL INSTALLATION (VARIABLE PARTS)	Ref.	
	0257347	Australian Spec (Prior to S/N 43136)	Ref.	5
	0258078	Australian Spec (S/N 43136 to Present)	Ref.	1
	0257357	Dutch Spec	Ref.	6
	0257349	UK English Spec	Ref.	6
	0257353	French Spec	Ref.	6
	0257351	German/Austrian Spec	Ref.	6
	0257355	Italian Spec	Ref.	6
	0257359	Spanish Spec	Ref.	6
101		Decal - Caution	1	
	1701631	Australian Spec		
	1701648	Dutch Spec		
	1701629	French Spec		
	1701630	German/Austrian Spec		
	1701632	Italian Spec		
	1701861	Spanish Spec		
	1701631	UK English Spec		
102		Decal - Crushing (S/N 43623 to Present)	2	
	1703158	Australian Spec		
	1703583	Dutch/French/German/Austrian/Italian/Spanish/UK English Spec		

SECTION 8 DECALS

SECTION 8 DECALS

FIGURE 8-2. DECALS INSTALLATION - 1532E/1932E GRAVITY DOWN MACHINES (CONTINUED)

FIG & ITEM #	PART NUMBER	DESCRIPTION	QTY.	REV.
103		Decal - Safety Prop	1	
	1701839	Australian Spec		
	1701615	Dutch Spec		
	1701512	French Spec		
	1701519	German/Austrian Spec		
	1701524	Italian Spec		
	1701856	Spanish Spec		
	1701839	UK English Spec		
104		Decal - Ground Control	1	
	1702248	Australian Spec		
	1701616	Dutch Spec		
	1701515	French Spec		
	1701525	German/Austrian Spec		
	1701535	Italian Spec		
	1701858	Spanish Spec		
	1702248	UK English Spec		
105		Decal - Charging	2	
	1702279	Australian Spec		
	Not Required	Dutch/French/German/Austrian/Italian/Spanish/UK English Spec		
106		Decal - Maintenance	1	
	Not Required	Australian Spec (Prior to S/N 43136)		
	1703663	Australian Spec (S/N 43136 to Present)		
	Not Required	Dutch/French/German/Austrian/Italian/Spanish/UK English Spec		
107		Decal - Rail Warnings	1	
	1703157	Australian Spec		
	Not Required	Dutch/French/German/Austrian/Italian/Spanish/UK English Spec		
108		Decal - Caution	1	
	Not Required	Australian Spec (Prior to S/N 43136)		
	1703662	Australian Spec (S/N 43136 to Present)		
	Not Required	Dutch/French/German/Austrian/Italian/Spanish/UK English Spec		
109		Decal - Towing/Winching	1	
	1703191	Australian Spec (Prior to S/N 43136)		
	Not Required	Australian Spec (S/N 43136 to Present)		
	1703196	Dutch Spec		
	1703193	French Spec		
	1703192	German/Austrian Spec		
	1703195	Italian Spec		
	1703194	Spanish Spec		
	1703191	UK English Spec		

SECTION 8 DECALS

FIGURE 8-2. DECALS INSTALLATION - 1532E/1932E GRAVITY DOWN MACHINES (CONTINUED)

FIG & ITEM #	PART NUMBER	DESCRIPTION	QTY.	REV.
110		Decal - Towing/Winching (Graphic)	1	
	1703398	Australian Spec		
	1703418	Dutch Spec		
	1703415	French Spec		
	1703414	German/Austrian Spec		
	1703417	Italian Spec		
	1703416	Spanish Spec		
	1703398	UK English Spec		
111	Not Available	Nameplate - Serial Number	1	
112		Decal - Made In USA	1	
	Not Required	Australian Spec		
113	3251813	Dutch/French/German/Austrian/Italian/Spanish/UK English Spec	1	
		Decal - Warning		
	1703154	Australian Spec		
	Not Required	Dutch/French/German/Austrian/Italian/Spanish Spec		
114	3252136	UK English Spec	4	
		Decal - Maximum Tire Load Options:		
	1703101	1532E/1932E (Prior to S/N 41323)		
	1703766	1532E (S/N 41323 to Present)		
115	1703767	1932E (S/N 41323 to Present)	1	
		Decal - Battery Fluid		
	1703155	Australian Spec		
116	Not Required	Dutch/French/German/Austrian/Italian/Spanish/UK English Spec	3	
		Decal -Electrocution		
	1703156	Australian Spec (Prior to S/N 43136)		
	1703665	Australian Spec (S/N 43136 to Present)		
117	Not Required	Dutch/French/German/Austrian/Italian/Spanish/UK English Spec	1	
		Decal - CE		
	1702928	Australian Spec		
118		Dutch/French/German/Austrian/Italian/Spanish/UK English Spec	1	
		Decal - Platform Operation		
	1703528	Australian Spec		
	1703568	Dutch Spec		
	1703564	French Spec		
	1703566	German/Austrian Spec		
	1703567	Italian Spec		
	1703565	Spanish Spec		
1703528	UK English Spec			
119 to 120	Not Used			
121		Nameplate - Platform Extension Capacity (S/N 43623 to Present)	1	
		Australian Spec		
	3252080	Australian/Dutch/French/German/Austrian/Italian/UK English Spec		
	3252454	Spanish Spec		

SECTION 8 DECALS

FIGURE 8-2. DECALS INSTALLATION - 1532E/1932E GRAVITY DOWN MACHINES (CONTINUED)

FIG & ITEM #	PART NUMBER	DESCRIPTION	QTY.	REV.
		Decal Kit	1	
	2900956	Australian Spec (Includes Items 33-37,39,40, 101-105,107,109,110,113,115,116,118 & 121)		
	2900950	Dutch Spec (Includes Items 33-37,39,40,101,103, 104,109,110,112,117,118 & 121)		
	2900953	French Spec (Includes Items 33-37,39,40,101,103, 104,109,110,112,117,118 & 121)		
	2900954	German/Austrian Spec (Includes Items 33-37,39, 40,101,103,104,109,110,112,117,118 & 121)		
	2900955	Italian Spec (Includes Items 33-37,39,40,101,103, 104,109,110,112,117,118 & 121)		
	2900951	Spanish Spec (Includes Items 33-37,39,40,101, 103,104,109,110,112,117,118 & 121)		
	2900952	UK English Spec (Includes Items 33-37,39,40, 101,103,104,109,110,112,113,117,118 & 121)		
		DECAL INSTALLATION (OPTIONAL PARTS)	Ref.	
200		Decal - Model Designation Options:	1	
	3252467	1532E		
	3252468	1932E		
201		Decal - Capacity Options:	2	
	3252511	1532E Australian Spec		
	3252517	1532E CE Spec		
	3252512	1932E Australian Spec		
	3252518	1932E CE Spec		
202	0251642	Warning Stripes Installation (Not Shown)	A/R	
	4420052	Tape, Safety	4ft/1.2m	

SECTION 8 DECALS

SECTION 8 DECALS

FIGURE 8-2. DECALS INSTALLATION - 1532E/1932E GRAVITY DOWN MACHINES (CONTINUED)

FIG & ITEM #	PART NUMBER	DESCRIPTION	QTY.	REV.

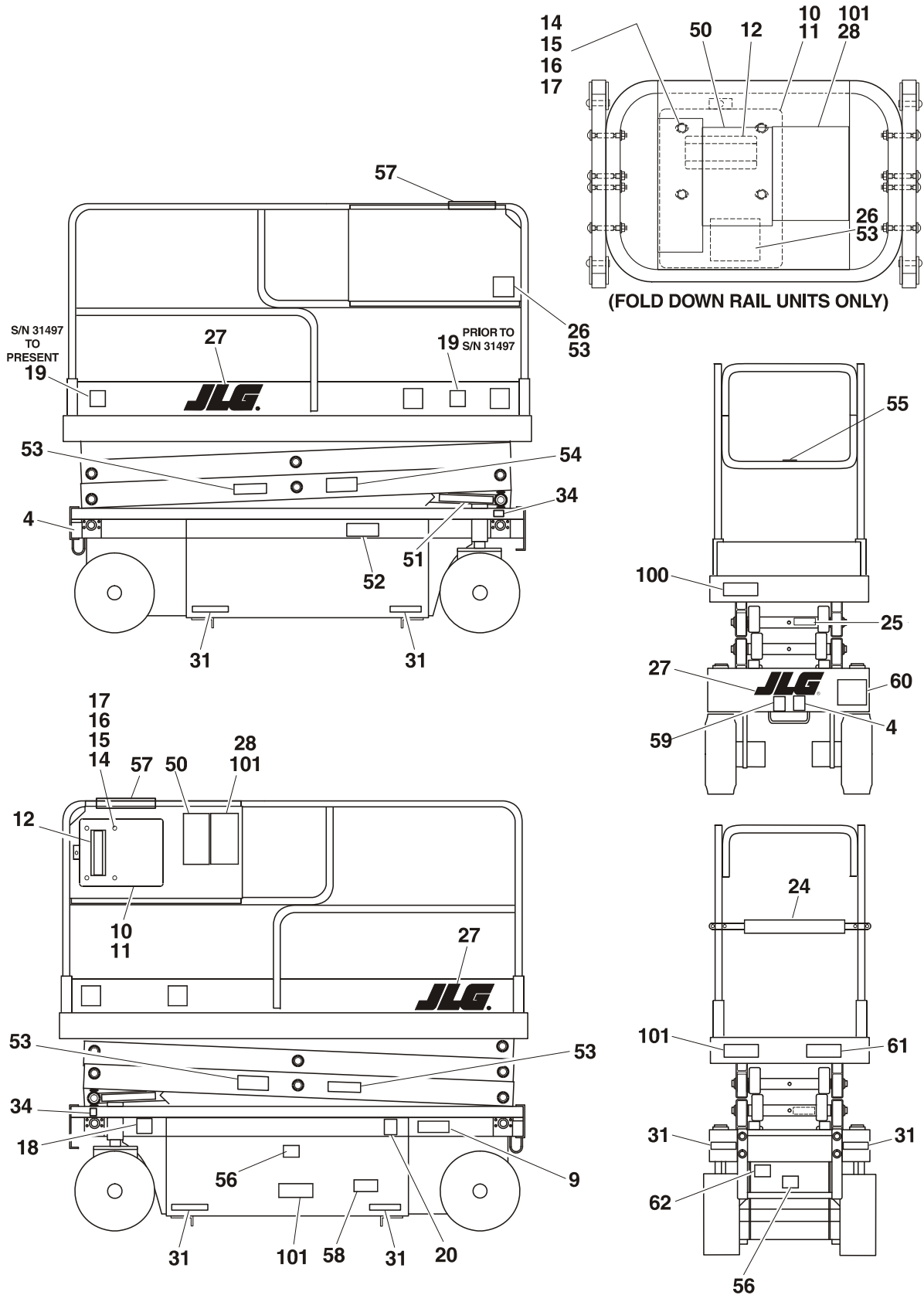
**S
E
C
T
I
O
N

8

D
E
C
A
L
S**

SECTION 8 DECALS

FIGURE 8-3.DECALS INSTALLATION - 2033E/2046E/2646E/2658E POWER DOWN MACHINES



SECTION 8 DECALS

SECTION 8 DECALS

FIGURE 8-3. DECALS INSTALLATION - 2033E/2046E/2646E/2658E POWER DOWN MACHINES

FIG & ITEM #	PART NUMBER	DESCRIPTION	QTY.	REV.
		Note: To determine Power or Gravity Down refer to page A.		
	0256976	DECAL INSTALLATION (STANDARD PARTS)	Ref.	—
		DECAL INSTALLATION (STANDARD PARTS)	Ref.	
1 to 3	Not Used			
4	1702300	Decal - Tie-Down	3	
5 to 8	Not Used			
9	Not Available	Nameplate - Serial Number	1	
10	0860520	Box, Manual Storage	1	
11	1060279	Cable, Lanyard	1	
12	1701509	Decal - Manual	1	
13	Not Used			
14	0641405	Bolt 1/4"-20NC x 5/8"	4	
15	4751400	Flatwasher 1/4"	4	
16	4761400	Lockwasher 1/4"	4	
17	3311401	Nut 1/4"-20NC	4	
18	1701510	Decal - Manual Descent	1	
19	Not Available	Decal - Bar Code	1	
20	1701504	Decal - Hydraulic Oil	1	
21 to 23	Not Used			
24	3340564	Pad	2ft/61cm	
25	1702939	Decal - Prop Location	1	
26	3251813	Decal - Made in USA	1	
27	1702773	Decal - JLG	3	
28	1702773	Decal - Nameplate	1	
29 to 30	Not Used			
31	1701508	Decal - Forklift Area	A/R	
32 to 33	Not Used			
34	1703105	Decal - Maximum Tire Load	2	
		DECAL INSTALLATION (VARIABLE PARTS)	Ref.	
	0256814	Australian Spec 2033E	Ref.	3
	0256815	Australian Spec 2046E	Ref.	3
	0256816	Australian Spec 2646E	Ref.	3
	0256817	Australian Spec 2658E	Ref.	3
	0256430	Dutch Spec 2033E	Ref.	4
	0256449	Dutch Spec 2046E	Ref.	4
	0256456	Dutch Spec 2646E	Ref.	4
	0256464	Dutch Spec 2658E	Ref.	4
	0256433	French Spec 2033E	Ref.	4
	0256452	French Spec 2046E	Ref.	4
	0256459	French Spec 2646E	Ref.	4
	0256467	French Spec 2658E	Ref.	4
	0256434	German/Austrian Spec 2033E	Ref.	4
	0256453	German/Austrian Spec 2046E	Ref.	4

SECTION 8 DECALS

SECTION 8 DECALS

**FIGURE 8-3. DECALS INSTALLATION - 2033E/2046E/2646E/2658E POWER DOWN MACHINES
(CONTINUED)**

FIG & ITEM #	PART NUMBER	DESCRIPTION	QTY.	REV.
	0256460	German/Austrian Spec 2646E	Ref.	4
	0256468	German/Austrian Spec 2658E	Ref.	4
	0256435	Italian Spec 2033E	Ref.	4
	0256454	Italian Spec 2046E	Ref.	4
	0256451	Italian Spec 2646E	Ref.	4
	0256469	Italian Spec 2658E	Ref.	4
	0256431	Spanish Spec 2033E	Ref.	4
	0256450	Spanish Spec 2046E	Ref.	4
	0256457	Spanish Spec 2646E	Ref.	4
	0256465	Spanish Spec 2658E	Ref.	4
	0256432	UK English Spec 2033E	Ref.	4
	0256451	UK English Spec 2046E	Ref.	4
	0256458	UK English Spec 2646E	Ref.	4
	0256466	UK English Spec 2658E	Ref.	4
50		Decal - Caution	1	
	1701623	Australian Spec		
	1701648	Dutch Spec		
	1701629	French Spec		
	1701630	German/Austrian Spec		
	1701632	Italian Spec		
	1701861	Spanish Spec		
	1701631	UK English Spec		
51		Decal - Safety Prop	1	
	1701839	Australian Spec		
	1701615	Dutch Spec		
	1701512	French Spec		
	1701519	German/Austrian Spec		
	1701524	Italian Spec		
	1701856	Spanish Spec		
	1701839	UK English Spec		
52		Decal - Ground Control	1	
	1702248	Australian Spec		
	1701616	Dutch Spec		
	1701515	French Spec		
	1701525	German/Austrian Spec		
	1701535	Italian Spec		
	1701858	Spanish Spec		
	1702248	UK English Spec		
53		Decal - Electrocution	3	
	1703156	Australian Spec		
	Not Required	Dutch/French/German/Austrian/Italian/Spanish/UK English Spec		
54		Decal - Crushing	2	
	1703158	Australian Spec		
	Not Required	Dutch/French/German/Austrian/Italian/Spanish/UK English Spec		

SECTION 8 DECALS

SECTION 8 DECALS

**FIGURE 8-3. DECALS INSTALLATION - 2033E/2046E/2646E/2658E POWER DOWN MACHINES
(CONTINUED)**

FIG & ITEM #	PART NUMBER	DESCRIPTION	QTY.	REV.
55	1703154	Decal - Caution (Flat Surface)	1	
	Not Required	Australian Spec Dutch/French/German/Austrian/Italian/Spanish/UK English Spec		
56	1703155	Decal - Battery Charger	1	
	Not Required	Australian Spec Dutch/French/German/Austrian/Italian/Spanish/UK English Spec		
57	1703157	Decal - Rail Warning	1	
	Not Required	Australian Spec Dutch/French/German/Austrian/Italian/Spanish/UK English Spec		
58		Decal - Platform/Ground Control Switch Operation (S/N 31497 to Present Only)	1	
	1703240	Australian Spec		
	1703410	Dutch Spec		
	1703405	French Spec		
	1703406	German/Austrian Spec		
	1703407	Italian Spec		
	1703409	Spanish Spec		
	1703240	UK English Spec		
59		Decal - Towing/Winching (S/N31497 to Present Only)	1	
	1703191	Australian Spec		
	1703196	Dutch Spec		
	1703193	French Spec		
	1703192	German/Austrian Spec		
	1703195	Italian Spec		
	1703194	Spanish Spec		
	1703191	UK English Spec		
60		Decal - Towing/Winching (Graphics) (S/N31497 to Present Only)	1	
	1703398	Australian Spec		
	1703418	Dutch Spec		
	1703415	French Spec		
	1703414	German/Austrian Spec		
	1703417	Italian Spec		
	1703416	Spanish Spec		
	1703398	UK English Spec		
61		Decal - Forklift Procedure (2033E Built S/N 32667 to Present Only)		
	1703457	Australian Spec		
	1703463	Dutch Spec		
	1703462	French Spec		
	1703459	German/Austrian Spec		
	1703460	Italian Spec		
	1703462	Spanish Spec		
	1703457	UK English Spec		

SECTION 8 DECALS

**FIGURE 8-3. DECALS INSTALLATION - 2033E/2046E/2646E/2658E POWER DOWN MACHINES
(CONTINUED)**

FIG & ITEM #	PART NUMBER	DESCRIPTION	QTY.	REV.
62	1702279 Not Required	Decal - Battery Charger (S/N 32667 to Present Only) Australian Spec Dutch/French/German/Austrian/Italian/Spanish/UK English Spec	1	
100	3252469 3252470 3252471 3252472	DECAL INSTALLATION (OPTIONAL PARTS) Decal - Model Designation Options: 2033E 2046E 2646E 2658E	Ref. 1	
101	3252509 3252519 3252510 3252520 3252531	Decal - Capacity Options: 2033E/2646E Australian Spec 2033E/2646E Euro Spec 2046E/2658E Australian Spec 2046E/2658E Euro Spec 2046E/2658E Euro Spec with Outdoor Package	A/R 3 2 3 2 2	
102	0251642 4420052	Warning Stripes Installation (Not Shown) Tape, Safety	A/R 4ft/1.2m	
103	0255981 1702928	"CE" Decal Installation (Not Shown) Decal - CE	A/R 2	A

SECTION 8 DECALS

SECTION 8 DECALS

FIGURE 8-3. DECALS INSTALLATION - 2033E/2046E/2646E/2658E POWER DOWN MACHINES
(CONTINUED)

FIG & ITEM #	PART NUMBER	DESCRIPTION	QTY.	REV.

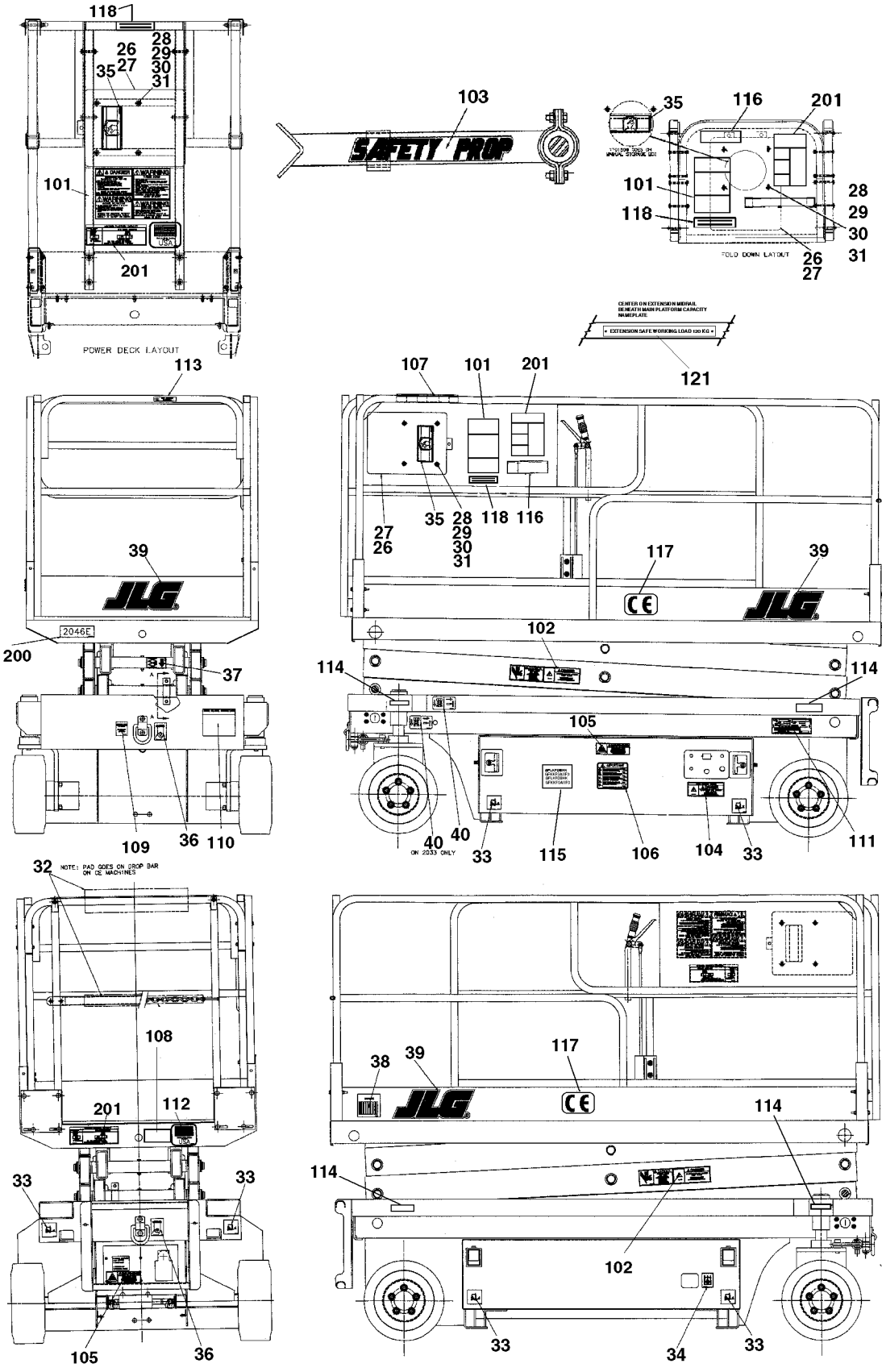
**S
E
C
T
I
O
N

8

D
E
C
A
L
S**

SECTION 8 DECALS

FIGURE 8-4. DECALS INSTALLATION - 2033E/2046E/2646E/2658E GRAVITY DOWN MACHINES



SECTION 8 DECALS

SECTION 8 DECALS

FIGURE 8-4. DECALS INSTALLATION - 2033E/2046E/2646E/2658E GRAVITY DOWN MACHINES

FIG & ITEM #	PART NUMBER	DESCRIPTION	QTY.	REV.
		Note: To determine Power or Gravity Down refer to page A.		
	0257342	DECAL INSTALLATION (STANDARD PARTS)	Ref.	5
1 to 25	Not Used			
26	0860520	Box, Manual Storage	1	
27	1060279	Cable, Lanyard	1	
28	0641405	Bolt 1/4"-20NC x 5/8"	4	
29	4751400	Flatwasher 1/4"	4	
30	4761400	Lockwasher 1/4" (Prior to S/N 38530)	4	
31	3311401	Nut 1/4"-20NC (Prior to S/N 38530)	4	
	3311405	Locknut 1/4"-20NC (S/N 38530 to Present)	4	
32	3340564	Pad (Prior to S/N 46777)	2ft/61cm	
	3340612	Pad (S/N 46777 to Present)	2ft/61cm	
33	1703073	Decal - Fork Lift Area	A/R	
34	1701504	Decal - Hydraulic Oil	1	
35	1701509	Decal - Manual	1	
36	1702300	Decal - Tie-Down	2	
37	1702939	Decal - Prop Location	1	
38	1702631	Decal - Bar Code	1	
39	1702773	Decal - JLG	3	
40	1701510	Decal - Manual Descent	1	
		DECAL INSTALLATION (VARIABLE PARTS)	Ref.	
	0257348	Australian Spec Prior to S/N 43136	Ref.	5
	0258078	Australian Spec S/N 43136 to Present	Ref.	1
	0257358	Dutch Spec Prior to S/N 37682	Ref.	3
	0257827	Dutch Spec S/N 37682 to Present	Ref.	4
	0257354	French Spec Prior to S/N 37682	Ref.	3
	0257830	French Spec S/N 37682 to Present	Ref.	4
	0257352	German/Austrian Spec Prior to S/N 37682	Ref.	3
	0257831	German/Austrian Spec S/N 37682 to Present	Ref.	4
	0257356	Italian Spec Prior to S/N 37682	Ref.	3
	0257832	Italian Spec S/N 37682 to Present	Ref.	4
	0257360	Spanish Spec Prior to S/N 37682	Ref.	3
	0257828	Spanish Spec S/N 37682 to Present	Ref.	4
	0257350	UK English Spec Prior to S/N 37682	Ref.	3
	0257829	UK English Spec S/N 37682 to Present	Ref.	4
101		Decal - Caution	1	
	1701631	Australian Spec		
	1701648	Dutch Spec		
	1701629	French Spec		
	1701630	German/Austrian Spec		
	1701632	Italian Spec		
	1701861	Spanish Spec		
	1701631	UK English Spec		

SECTION 8 DECALS

SECTION 8 DECALS

**FIGURE 8-4. DECALS INSTALLATION - 2033E/2046E/2646E/2658E GRAVITY DOWN MACHINES
(CONTINUED)**

FIG & ITEM #	PART NUMBER	DESCRIPTION	QTY.	REV.
102	1703158	Decal - Crushing Australian Spec	2	
	1703583	Dutch/French/German/Austrian/Italian/Spanish/UK English Spec		
103	1701839	Decal - Safety Prop Australian Spec	1	
	1701615	Dutch Spec		
	1701512	French Spec		
	1701519	German/Austrian Spec		
	1701524	Italian Spec		
	1701856	Spanish Spec		
	1701839	UK English Spec		
	104	1702248		
1701616		Dutch Spec		
1701515		French Spec		
1701525		German/Austrian Spec		
1701535		Italian Spec		
1701858		Spanish Spec		
1702248		UK English Spec		
105		1702279	Decal - Charging Australian Spec	2
	Not Required	Dutch/French/German/Austrian/Italian/Spanish/UK English Spec		
106	1703663	Decal - Maintenance (S/N 43136 to Present Only) Australian Spec	1	
	Not Required	Dutch/French/German/Austrian/Italian/Spanish/UK English Spec		
107	1703157	Decal - Rail Warnings Australian Spec	1	
	Not Required	Dutch/French/German/Austrian/Italian/Spanish/UK English Spec		
108	1703662	Decal - Caution (S/N 43136 to Present Only) Australian Spec	1	
	Not Required	Dutch/French/German/Austrian/Italian/Spanish/UK English Spec		
109	1703191	Decal - Towing/Winching Australian Spec	1	
	1703196	Dutch Spec		
	1703193	French Spec		
	1703192	German/Austrian Spec		
	1703195	Italian Spec		
	1703194	Spanish Spec		
	1703191	UK English Spec		

SECTION 8 DECALS

FIGURE 8-4. DECALS INSTALLATION - 2033E/2046E/2646E/2658E GRAVITY DOWN MACHINES (CONTINUED)

FIG & ITEM #	PART NUMBER	DESCRIPTION	QTY.	REV.
110		Decal - Towing/Winching (Graphic)	1	
	1703398	Australian Spec		
	1703418	Dutch Spec		
	1703415	French Spec		
	1703414	German/Austrian Spec		
	1703417	Italian Spec		
	1703416	Spanish Spec		
	1703418	UK English Spec		
111	Not Available	Nameplate - Serial Number	1	
112		Decal - Made in USA	1	
	Not Required 3251813	Australian Spec Dutch/French/German/Austrian/Italian/Spanish/UK English Spec		
113		Decal - Warning	1	
	1703154 Not Required	Australian Spec Dutch/French/German/Austrian/Italian/Spanish/UK English Spec		
114		Decal - Maximum Tire Load Options:	4	
	1703105	2033E/2046E/2646E/2658E (Prior to S/N 41323)		
	1703768	2033E (S/N 41323 to Present)		
	1703769	2046E (S/N 41323 to Present)		
	1703770	2646E (S/N 41323 to Present)		
	1703771	2658E (S/N 41323 to Present)		
115		Decal - Battery Fluid	1	
	1703155 Not Required	Australian Spec Dutch/French/German/Austrian/Italian/Spanish/UK English Spec		
116		Decal - Electrocution	3	
	1703156	Australian Spec (Prior to S/N 43136)		
	1703665 Not Required	Australian Spec (S/N 43136 to Present) Dutch/French/German/Austrian/Italian/Spanish/UK English Spec		
117		Decal - CE	1	
	Not Required 1702928	Australian Spec Dutch/French/German/Austrian/Italian/Spanish/UK English Spec		
118		Decal - Platform Operation	1	
	1703528	Australian Spec		
	1703568	Dutch Spec		
	1703564	French Spec		
	1703566	German/Austrian Spec		
	1703567	Italian Spec		
	1703565	Spanish Spec		
	1703528	UK English Spec		
119 to 120	Not Required			

SECTION 8 DECALS

**FIGURE 8-4. DECALS INSTALLATION - 2033E/2046E/2646E/2658E GRAVITY DOWN MACHINES
(CONTINUED)**

FIG & ITEM #	PART NUMBER	DESCRIPTION	QTY.	REV.
121		Nameplate - Platform Extension Capacity (S/N 43623 to Present)	1	
	3252080	Australian/Dutch/French/German/Austrian/Italian/UK English Spec		
	3252454	Spanish Spec		

		Decal Kits	1	
	2900961	Australian Spec (Includes Items 33-37,39,40, 101-105,107,109,110,115,116 & 118)		
	2900915	Dutch Spec (Includes Items 33-37,39,40, 101,103,104,109,110,117,118 & 121)		
	2900917	French Spec (Includes Items 33-37,39,40, 101,103,104,109,110,117,118 & 121)		
	2900918	German/Austrian Spec (Includes Items 33-37,39, 40,101,103,104,109,110,117,118 & 121)		
	2900919	Italian Spec (Includes Items 33-37,39,40,101, 103,104,109,110,117,118 & 121)		
2900920	Spanish Spec (Includes Items 33-37,39,40,101, 103,104,109,110,117,118 & 121)			
2900916	UK English Spec (Includes Items 33-37,39,40, 101,103,104,109,110,117,118 & 121)			
		DECAL INSTALLATION (OPTIONAL PARTS)	Ref.	
200		Decal - Model Designation Options:	1	
	3252469	2033E		
	3252470	2046E		
	3252471	2646E		
	3252472	2658E		
201		Decal - Capacity Options:	2	
	3252509	2033E Australian Spec		
	3252562	2033E CE Spec		
	3252510	2046E/2658E Australian Spec		
	3252520	2046E/2658E CE Spec		
	3252509	2646E Australian Spec		
	3252521	2646E CE Spec		
202	0251642	Warning Stripes Installations (Not Shown)	A/R	
	4420052	Tape, Safety	4ft/1.2m	

SECTION 8 DECALS

SECTION 9 RECOMMENDED SERVICE PARTS STOCK

MODELS 1532E/1932E/2033E/2046E/2646E/2658E

The following list will service fleets of machines (built to current production per date on the front cover) with emergency repair parts which can be installed in the field. Parts from the list should be replaced when inventory is depleted to keep service parts stock supplied. For further information, contact your JLG dealer or the JLG Industries Parts Department.

JLG PART NUMBER	DESCRIPTION	QTY PER FLEET		
		1-4	5-9	10 OR MORE
STANDARD PARTS				
4360435	Switch, Tilt Indicator (Figures 1-8 and 1-9)	1	1	1
7018514	Breaker, Circuit - AC (Figures 1-10 and 1-11)	1	1	1
7011509	Breaker, Circuit - DC (Figures 1-10 and 1-11)	1	1	1
7013711	Coupling (Figures 2-1, 2-2, 2-3 and 2-4)	1	1	1
2120072	Element, Filter (Figures 2-1, 2-2, 2-3 and 2-4)	4	8	12
1340052	Breather (Figures 2-1, 2-2, 2-3 and 2-4)	1	2	3
7018311	Coil, Valve Cartridge (Figure 2-5)	1	1	1
7018917	Coil, Valve Cartridge (Figure 2-5)	1	1	1
1600286	Controller, JLG SMART System TM (Figure 2-6)	1	1	1
3740130	Relay (Figure 2-6)	1	1	1
4360070	Breaker, Circuit (Figure 2-6)	1	1	1
4360433	Switch, Key (Figure 2-6)	1	1	1
2860030	Key, Replacement (Figure 2-6)	1	1	1
4360328	Switch, Toggle (Figure 2-6)	1	1	1
4360289	Switch, Emergency Stop (Figures 2-6 and 4-6)	1	1	1
3740069	Relay (Figure 2-6)	1	1	1
1600276	Controller, Directional (Figure 4-6)	1	1	1
0610123	PC Board (Figure 4-6)	1	1	1
7017444	Coil, Valve Cartridge (Figures 5-4 and 5-7)	1	1	1
VARIABLE PARTS				
4360401	Limit Switch (Figures 1-6 & 1-7)	1	1	1
4360321	Limit Switch (Figures 1-8 & 1-9)	1	1	1
7011684	Relay, Interlock (Australian Spec) (Figure 1-10)	1	1	1
7018514	Breaker, Circuit - AC (UK Spec) (Figure 1-11)	1	1	1
7011509	Breaker, Circuit - DC (UK Spec) (Figure 1-11)	1	1	1
7018533	Fuse (UK Spec) (Figure 1-11)	1	1	1
4360397	Limit Switch (All Except 2658E)(Figure 3-12)	1	1	1
4360277	Limit Switch (French Spec) (Figure 4-2, 4-3, 4-4 and 4-5)	1	1	1
4360403	Switch Membrane With Tilt Light (Figure 4-6)	1	1	1
4360450	Switch Membrane Without Tilt Light (Figure 4-6)	1	1	1
2900838	U.S. Standards Fastener Kit	1	1	1
7014676	U.S. Standards Tool Kit	1	1	1

SECTION 9 RECOMMENDED SERVICE PARTS

MODELS 1532E/1932E/2033E/2046E/2646E/2658E

The following list will service fleets of machines (built to current production per date on the front cover) with emergency repair parts which can be installed in the field. Parts from the list should be replaced when inventory is depleted to keep service parts stock supplied. For further information, contact your JLG dealer or the JLG Industries Parts Department.

JLG PART NUMBER	DESCRIPTION	QTY PER FLEET		
		1-4	5-9	10 OR MORE

SECTION 10 SPECIAL OPTIONS

Note: This list is to accomodate machines ordered with special equipment. Options may not be applicable to all models. For more specific parts information contact JLG Parts Department.

FIG & ITEM #	PART NUMBER	DESCRIPTION	QTY.	REV.
		MISCELLANEOUS SPECIAL OPTIONS	Ref.	
		Note: To determine Power or Gravity Down refer to page A.		
	0256568	BRAKE RELEASE INSTALLATION (AUSTRALIAN SPEC)	Ref.	
	4640128	Valve, Flow Control (Located beside Main Valve)	1	
	1702728	Decal, (Located beside Main Valve)	1	
	0256789	CAMERA MOUNT ASSEMBLY	Ref.	
	2900887	COLD WEATHER KIT	Ref.	
	0256583/1282609	OVERLOAD PROTECTION INSTALLATION - 1532E/1932E POWER DOWN MACHINES (FRENCH SPEC)	Ref.	
	0256582/1282609	OVERLOAD PROTECTION INSTALLATION - 2033E/2046E/2646E/2658E POWER DOWN MACHINES (FRENCH SPEC)	Ref.	
	1692617	Switch, Pressure (Located at Lift Cylinder)	1	
	4360397	Switch, Limit (Located at Top Center of Frame)	1	
	1060341	Cable, Electrical - 16/2	35ft/11m	
	4460267	Pin	2	
	4460320	Plug	2	
	0257665	PERIMETER SWITCHES INSTALLATION	Ref.	
	4360215	Switch	4	
	4360387	Switch	1	
	3251596	Decal - Tag Proximity	1	
	0257049	PIPE RACKS INSTALLATION	Ref.	
	0256659	PRESSURE CHECKS INSTALLATION (AUSTRALIAN SPEC)	Ref.	
		TOOLS FOR SERVICE	Ref.	
	2900874	Configurator Kit (Computer Software Kit)	1	
	2901443	Analyzer and Cable Kit (Includes 1600244 & 1060633)	1	
	1600244	Analyzer, SMART System Controller	1	
	1060633	Cable, Communication (Analyzer to Controller)	1	
	1060629	Cable, Communication (PC to Controller)	1	
	7002820	Arbor Set (Set of 2 for Installation of Garmax and Excelite Bushings)	1	
	8896941	Wire Stripper	1	
	7002821	Wire Crimper (To Install Wire Ends to Wires)	1	

SECTION 10 SPECIAL OPTIONS

SECTION 10 SPECIAL OPTIONS

SECTION 10 SPECIAL OPTIONS

FIG & ITEM #	PART NUMBER	DESCRIPTION	QTY.	REV.
	7002823	Pin/Socket Extractor - Universal (To Remove Pins/ Sockets from Connectors)	1	
	4460467	Extractor - 16-18 Gauge (For Removal of Pins/ Sockets from Deutsch Connectors)	1	
	4460510	Extractor - 12-14 Gauge (For Removal of Pins/ Sockets from Deutsch Connectors)	1	
	7002822	Screwdriver, Potentiometer (To Adjust Drive Controllers)	1	
	7016654	Screwdriver, Magnetic	1	
	7004275	Seal Installation Tool - 1"	1	
	7004276	Seal Installation Tool - 1 1/2"	1	
	7002826	Seal Installation Tool - 2"	1	
	2901443	Analyzer Kit	1	

SECTION 11 PART NUMBER INDEX

Part Number	Page	Part Number	Page	Part Number	Page	Part Number	Page
0080190	5-5, 5-9, 5-15, 5-19	0251605	4-14	0255962	1-30, 1-35	0256473	8-3
0080228	5-11, 5-23	0251634	4-15	0255963	4-5	0256474	8-3
0100001	1-4	0251635	4-15	0255981	8-5, 8-16	0256475	8-3
0100011	1-3, 1-4, 1-21, 1-25, 1-29, 1-30, 1-33, 1-34, 2-23, 3-35, 3-37, 3-39, 4-35, 5-5, 5-6, 5-9, 5- 11, 5-15, 5-16, 5-19, 5-23, 6-7	0251636	4-15	0256041	4-32	0256476	8-3
0100015	4-35	0251642	8-5, 8-10, 8-16, 8-22	0256052	4-3	0256477	8-3
0100019	1-15	0251841	4-25	0256053	4-3	0256481	8-3
0100020	2-3, 2-5, 2-7, 2-11, 2-19, 6-3, 6-7	0251843	4-25	0256056	2-20	0256482	8-3
0100035	3-43	0251845	4-25	0256057	4-32	0256483	8-3
0100038	5-6, 5-16	0251879	4-9	0256058	2-20	0256484	8-3
0100048	7-10, 7-12	0251942	4-27	0256063	3-19, 3-23	0256485	8-3
0100076	2-19	0251943	4-27	0256064	3-28, 3-31	0256486	8-3
0100080	3-7, 3-15, 3-23, 3-31	0251944	4-27	0256198	4-5	0256505	4-4
0100081	1-5	0251973	4-9	0256199	4-5	0256506	4-4
0140011	1-29, 1-33, 4-32, 4- 33	0252586	3-3, 3-7, 3-19, 3-23	0256200	4-5	0256507	4-4
0140022	1-30, 1-34	0252587	3-11, 3-15, 3-27, 3- 31	0256334	1-6	0256509	3-20, 3-24
0140033	2-20	0252677	4-25	0256369	1-29	0256510	3-28, 3-32
0181622	2-23	0252679	4-25	0256370	1-29	0256520	4-4
0181684	4-10, 4-15, 4-21, 4- 28	0252681	4-25	0256372	1-29	0256521	4-4
0181847	4-31	0252681	4-25	0256373	1-31, 1-35	0256522	4-4
0181874	2-7, 2-11, 2-24	0252737	4-10	0256374	1-31, 1-35	0256527	3-4, 3-8
0181875	2-7, 2-11, 2-24	0252738	4-10	0256386	3-3, 3-7	0256528	3-12, 3-16
0181880	2-23	0252973	4-11, 4-17, 4-22, 4- 29	0256387	3-11, 3-15	0256564	1-29
0181888	3-35, 3-37	0253383	4-27	0256408	2-19	0256568	10-1
0181889	3-37	0253391	4-27	0256409	2-19	0256582	10-1
0181892	3-35	0253392	4-27	0256410	4-3	0256583	10-1
0200531	3-19, 3-23, 3-27, 3- 31	0253392	4-27	0256411	4-3	0256596	1-15
0200532	3-19, 3-23, 3-27, 3- 31	0253616	7-2	0256413	4-3	0256609	4-5
0200533	3-19, 3-23, 3-27, 3- 31	0254171	4-5	0256420	2-8	0256614	4-3
0200534	3-19, 3-23	0254234	4-19	0256421	2-23	0256615	3-37, 3-39
0200535	3-27, 3-31	0254236	4-19	0256422	2-8	0256616	3-37, 3-39
0200536	3-27, 3-31	0254237	4-20	0256423	2-20	0256629	3-37
0200537	3-27, 3-31	0254238	4-20	0256424	1-29, 1-33	0256636	1-3
0200538	3-3, 3-7, 3-11, 3-15	0254367	7-2	0256430	8-13	0256644	3-35
0200539	3-3, 3-7, 3-11, 3-15	0255516	1-22	0256431	8-14	0256649	3-35
0200540	3-3, 3-7, 3-11, 3-15	0255571	3-19	0256432	8-14	0256653	1-5
0200541	3-3, 3-7, 3-11, 3-15	0255614	1-15	0256433	8-13	0256654	1-5
0200542	3-11, 3-15	0255618	3-27	0256434	8-13	0256659	10-1
0200543	3-11, 3-15	0255636	1-15	0256435	8-14	0256664	4-11, 4-16, 4-22, 4- 29
0200544	3-11, 3-15	0255637	1-15	0256438	1-29	0256667	4-11, 4-22
0251202	4-15	0255638	1-22	0256439	1-29	0256668	4-16, 4-29
0251249	4-15	0255639	1-22	0256441	1-29	0256682	2-20
0251250	4-15	0255641	1-29	0256449	8-13	0256711	4-3
0251304	4-13	0255679	1-6	0256450	8-14	0256712	4-3
0251393	4-13	0255680	1-5	0256451	8-14	0256712	4-3
0251395	4-13	0255682	1-6	0256452	8-13	0256783	1-29, 1-33
0251601	4-14	0255682	1-6	0256452	8-13	0256785	1-30, 1-35
0251603	4-14	0255683	1-5	0256453	8-13	0256788	1-29, 1-33
		0255697	3-3	0256454	8-14	0256789	10-1
		0255724	1-22	0256456	8-13	0256790	1-30, 1-35
		0255751	3-11	0256457	8-14	0256812	4-3, 8-3
		0255784	1-30	0256458	8-14	0256813	8-3
		0255891	2-23	0256459	8-13	0256814	8-13
		0255893	2-3	0256460	8-14	0256815	8-13
		0255938	2-8	0256464	8-13	0256816	8-13
		0255939	2-8, 2-12	0256465	8-14	0256817	8-13
		0255940	2-8, 2-12	0256466	8-14	0256817	8-13
		0255948	4-33	0256467	8-13	0256833	1-30, 1-33
		0255949	1-30, 1-34	0256468	8-14	0256839	4-3
		0255950	1-30, 1-34, 4-33	0256469	8-14	0256840	4-3
		0255951	2-20	0256472	8-3	0256841	4-3

SECTION 11 PART NUMBER INDEX

Part Number	Page	Part Number	Page	Part Number	Page	Part Number	Page
0256842	4-3	0257295	4-15	0258213	4-5		4-25, 5-6
0256845	4-3	0257296	4-15	0258214	4-5	0641409	5-16
0256850	2-23	0257297	4-15	0258215	4-5	0641412	2-3, 2-5, 2-7, 2-11, 4-5
0256861	1-33	0257330	1-26	0258216	4-5	0641414	2-23, 4-10
0256921	2-23	0257331	1-26	0258676	3-39	0641416	4-5, 4-21, 4-28
0256959	2-20	0257332	1-26	0258783	2-19	0641418	3-39
0256960	2-20	0257333	1-26	0258786	2-19	0641420	3-12, 4-3, 4-9, 4-13, 4-19, 4-25
0256961	2-20	0257342	8-7, 8-19	0258882	1-3	0641422	3-16
0256962	2-20	0257347	8-7	0280145	1-16, 1-19	0641424	2-24, 4-9, 4-13, 4-19, 4-25
0256963	4-32	0257348	8-19	0280146	1-16, 1-19	0641505	4-5, 4-21, 4-28
0256964	2-20	0257349	8-7	0280147	1-16, 1-19	0641506	1-29, 1-33, 2-3, 2-5, 2-7, 2-11, 5-5, 5-9, 5-11, 5-15, 5-19, 5-23
0256965	2-20	0257350	8-19	0361912	4-10, 4-16, 4-21, 4-28	0641508	1-21, 1-25, 3-3, 3-7, 3-11, 3-15, 3-19, 3-20, 3-23, 3-27, 3-31
0256975	8-3	0257351	8-7	0362273	4-5	0641509	3-35, 3-37, 3-39
0256976	8-13	0257352	8-19	0362483	1-21, 1-25	0641510	1-31, 1-35, 3-24, 3-28, 3-32, 4-10, 4-15, 4-21, 4-27
0257049	10-1	0257353	8-7	0362484	1-21, 1-25	0641512	4-10, 4-15, 4-21, 4-28
0257115	3-7	0257354	8-19	0362485	1-21, 1-25	0641516	3-35, 3-37, 3-39, 4-10, 4-16, 4-21, 4-28
0257116	3-15	0257355	8-7	0362510	1-15	0641520	3-3, 3-7, 3-11, 3-15
0257118	3-23	0257356	8-19	0362511	1-22	0641522	3-3, 3-7, 3-11, 3-15, 3-19, 3-23, 3-27, 3-31, 4-3
0257120	3-31	0257357	8-7	0362566	2-3, 2-5, 2-23	0641524	3-3, 3-7, 3-11, 3-15, 3-19, 3-23, 3-27, 3-31
0257156	1-6	0257358	8-19	0362654	1-22, 1-25	0641536	3-35, 3-37, 3-40
0257172	1-35	0257359	8-7	0362666	4-5	0641604	3-35, 3-37, 3-39
0257173	1-35	0257360	8-19	0400067	2-23	0641608	3-35, 3-37, 3-39, 4-13, 4-14
0257174	1-35	0257367	4-6	0400113	2-23	0641610	1-31, 1-35
0257179	3-43	0257372	1-31, 1-35	0400145	1-29, 1-33, 1-39	0641611	1-3, 1-21, 1-25
0257180	3-43	0257377	4-32	0400146	1-29, 1-33, 1-41	0641612	1-5, 1-21, 1-25
0257181	3-43	0257378	4-32	0400148	1-29, 1-33, 1-39	0641622	1-21, 1-25
0257182	3-43	0257397	4-6	0400151	2-23	0641812	1-29, 1-33
0257183	1-19	0257398	4-5	0400178	1-43	0641816	2-3, 2-5, 2-23
0257184	1-19	0257437	2-23	0480092	3-37, 3-39	0641826	1-3, 1-4
0257185	1-19	0257539	4-32	0480093	3-37, 3-39	0642224	1-21, 1-25
0257186	1-19	0257540	4-32	0480094	3-37, 3-39	0681520	3-19, 3-23, 3-27, 3-31
0257190	3-43	0257567	1-3	0480095	3-35	0682412	1-15
0257191	3-43	0257568	1-3	0480096	3-35	0682620	1-15
0257192	3-43	0257570	1-5	0610123	4-31, 9-1	0721004	4-4
0257193	3-43	0257571	1-5	0630398	1-21, 1-25	0721006	1-30, 1-34
0257208	2-5	0257572	1-5	0630485	1-36	0791608	2-23
0257210	2-12	0257664	4-6	0630495	1-4, 1-5	0840025	1-35, 7-12
0257212	2-12	0257665	7-2, 10-1	0630516	1-4	0840027	1-31, 1-35
0257265	1-36	0257681	4-9	0630526	2-23, 2-24	0840031	2-23, 2-24
0257266	1-36	0257683	4-9	0630535	5-16		
0257271	1-33	0257685	4-13	0641405	1-30, 1-34, 2-3, 2-5, 2-7, 2-11, 4-10, 4-16, 4-21, 4-28, 4-32, 8-3, 8-7, 8-13, 8-19		
0257272	1-33	0257688	4-14	0641406	2-3, 2-5, 2-7, 2-11, 2-19, 2-20, 2-23, 2-24, 3-12, 3-20, 3-24, 3-28, 3-32, 3-35, 3-37, 3-39, 4-4, 4-10, 4-16, 4-21, 4-28		
0257274	1-33	0257695	4-13				
0257276	1-33	0257696	4-13				
0257277	1-33	0257717	4-14				
0257279	1-33	0257718	4-14				
0257281	4-10	0257827	8-19				
0257282	4-10	0257828	8-19				
0257284	4-20	0257829	8-19				
0257285	4-20	0257830	8-19				
0257286	4-27	0257831	8-19				
0257287	4-27	0257832	8-19				
0257288	4-27	0258018	4-6				
0257289	4-27	0258019	4-6	0641407	1-15, 1-29, 1-33, 4-5		
0257290	4-27	0258058	4-6	0641408	1-30, 1-31, 1-34, 1-35, 2-3, 2-5, 2-7, 2-8, 2-11, 2-12, 2-20, 2-23, 2-24, 3-8, 3-16, 4-14,		
0257291	4-27	0258078	8-7, 8-19				
0257292	4-15	0258169	4-3				
0257293	4-15	0258170	4-3				
0257294	4-15	0258182	2-12				

SECTION 11 PART NUMBER INDEX

Part Number	Page	Part Number	Page	Part Number	Page	Part Number	Page
0840035	4-5	1001101076	4-9, 4-14, 4-20, 4-26		3-32, 3-43, 4-11, 4-15, 4-21, 4-28	1701623	8-14
0860520	8-3, 8-7, 8-13, 8-19	1060048	2-24	1320225	6-3, 6-7	1701629	8-4, 8-7, 8-14, 8-19
0861013	4-31	1060279	8-3, 8-7, 8-13, 8-19	1320242	6-7	1701630	8-4, 8-7, 8-14, 8-19
0861070	1-33	1060308	4-4	1340052	2-3, 2-5, 2-7, 2-11, 9-1	1701631	8-7, 8-14, 8-19
0901830	4-10, 4-16, 4-21, 4-28	1060330	7-12			1701632	8-4, 8-7, 8-14, 8-19
0901906	4-10, 4-21	1060341	1-30, 1-34, 3-43, 4-5, 4-11, 4-16, 4-22, 4-29, 7-11, 7-12, 7-13, 10-1	1440325	1-30, 1-33	1701648	8-4, 8-7, 8-14, 8-19
0901930	4-5			1532E	1-1	1701839	8-4, 8-8, 8-14, 8-20
0902137	2-7, 2-11	1060377	5-15, 5-19	1600233	2-19	1701856	8-4, 8-8, 8-14, 8-20
0902151	5-5, 5-9, 5-11, 5-15, 5-19	1060379	2-20	1600235	4-31, 4-35	1701858	8-4, 8-8, 8-14, 8-20
0902198	2-7, 2-11	1060561	2-23, 7-11	1600244	7-10, 10-1	1701861	8-4, 8-7, 8-14, 8-19
0902221	2-3, 2-5	1060597	5-5, 5-9	1600257	4-31, 4-35	1702248	8-4, 8-8, 8-14, 8-20
0902234	4-31	1060605	2-24, 7-14	1600258	2-19	1702279	8-5, 8-8, 8-16, 8-20
0902298	4-31	1060606	2-19, 7-14	1600266	4-31, 4-37	1702300	1-36, 8-3, 8-7, 8-13, 8-19
0902340	1-30, 1-35	1060608	7-10	1600276	4-31, 4-37, 9-1	1702631	8-3, 8-19
0902341	1-30	1060622	7-11	1600286	2-19, 9-1	1702728	10-1
0902344	1-30, 1-35	1060627	1-31, 1-35	1670847	4-6	1702773	8-3, 8-7, 8-13, 8-19
0902365	2-3, 2-5, 2-23	1060629	7-10, 10-1	1670848	4-6	1702928	8-5, 8-9, 8-16, 8-21
0902371	5-11, 5-23	1060633	7-10, 10-1	1670849	4-6	1702939	8-3, 8-7, 8-13, 8-19
0902421	5-11, 5-23	1060635	2-23, 2-24	1670856	4-6	1703073	8-7, 8-19
0902438	4-32	1060636	7-11	1670857	4-6	1703101	8-3, 8-9
0902439	4-32	1060643	5-15, 5-19, 5-23	1683054	5-5	1703105	8-13, 8-21
0940057	4-5, 4-6	1060644	5-5, 5-9, 5-11	1683056	5-15	1703154	8-4, 8-9, 8-15, 8-21
0940060	4-5	1060650	5-23	1683061	5-15	1703155	8-4, 8-9, 8-15, 8-21
0940061	4-5	1060680	7-12	1683351	1-3, 1-4, 5-27	1703156	8-4, 8-9, 8-14, 8-21
0940065	4-5	1060689	1-43	1683352	3-19, 5-15	1703157	8-4, 8-8, 8-15, 8-20
0940079	4-6	1060691	1-43	1683353	5-15	1703158	8-4, 8-7, 8-14, 8-20
0940080	4-6	1120064	1-3, 1-4	1683355	5-15	1703191	8-5, 8-8, 8-15, 8-20
0940081	4-6	1120417	1-3, 1-5	1683362	1-16, 5-3	1703192	8-5, 8-8, 8-15, 8-20
0940082	4-6	1120472	3-19, 3-23, 3-28, 3-31	1683363	3-27, 5-15	1703193	8-5, 8-8, 8-15, 8-20
0960239	4-11, 4-16, 4-22, 4-29	1120473	3-19, 3-23, 3-28, 3-31	1683367	5-15	1703194	8-5, 8-8, 8-15, 8-20
0960407	4-4	1120474	3-19, 3-23, 3-28, 3-31	1683369	5-15	1703195	8-5, 8-8, 8-15, 8-20
0961833	4-9, 4-14, 4-20, 4-26	1120475	3-19, 3-23, 3-28, 3-31	1683377	3-3, 3-11, 5-5	1703196	8-5, 8-8, 8-15, 8-20
0961896	5-5, 5-16	1120479	3-3, 3-7, 3-11, 3-15	1683379	5-5	1703210	8-5
0961897	5-16	1120480	3-3, 3-7, 3-11, 3-15	1683380	5-5	1703240	8-5, 8-15
0961994	1-21, 1-25	1120481	1-21, 1-25	1683428	1-3, 5-27	1703398	8-5, 8-9, 8-15, 8-21
0961995	1-21, 1-25	1120491	2-5, 2-11	1683429	1-4, 5-27	1703405	8-5, 8-15
0961996	1-21, 1-25	1120514	3-39	1683473	3-19, 5-19	1703406	8-5, 8-15
0961997	1-21, 1-25	1260017	4-19, 4-21, 4-25, 4-28	1683474	3-27, 5-19	1703407	8-5, 8-15
0962004	2-3, 2-5, 2-23	1260136	4-9, 4-13, 4-20, 4-26	1683475	3-3, 3-11, 5-9	1703409	8-5, 8-15
0962010	3-3, 3-7, 3-11, 3-15, 3-19, 3-23, 3-27, 3-31	1282430	7-2, 7-10	1683499	1-16	1703410	8-5, 8-15
0962012	5-5, 5-15	1282480	6-10	1683500	3-7, 3-15, 5-11	1703414	8-5, 8-9, 8-15, 8-21
0962013	1-3, 1-5	1282507	7-2	1683501	3-23, 5-23	1703415	8-5, 8-9, 8-15, 8-21
0962014	1-4, 1-5	1282609	10-1	1683502	3-31, 5-23	1703416	8-5, 8-9, 8-15, 8-21
0962015	3-3, 3-11, 3-12, 3-19, 3-20, 3-27, 3-28	1282726	6-10	1683557	1-19, 5-3	1703417	8-5, 8-9, 8-15, 8-21
0962017	1-6	1282773	7-2	1692617	10-1	1703418	8-5, 8-9, 8-15, 8-21
0962069	4-3	1320033	2-3, 2-5, 2-7, 2-11	1701504	8-3, 8-7, 8-13, 8-19	1703457	8-15
0962070	4-3	1320061	3-16, 4-4	1701508	1-15, 8-3, 8-13	1703459	8-15
0962073	4-3	1320095	1-35, 3-8, 3-16, 3-24, 3-32	1701509	8-3, 8-7, 8-13, 8-19	1703460	8-15
0962074	3-35, 3-37, 3-40			1701510	8-3, 8-7, 8-13, 8-19	1703462	8-15
0962075	3-35, 3-37, 3-40	1320224	3-4, 3-8, 3-12, 3-16, 3-20, 3-24, 3-28,	1701512	8-4, 8-8, 8-14, 8-20	1703463	8-15
0962085	1-4			1701515	8-4, 8-8, 8-14, 8-20	1703528	8-9, 8-21
0962154	4-3			1701519	8-4, 8-8, 8-14, 8-20	1703564	8-9, 8-21
				1701523	8-4	1703565	8-9, 8-21
				1701524	8-4, 8-8, 8-14, 8-20	1703566	8-9, 8-21
				1701525	8-4, 8-8, 8-14, 8-20	1703567	8-9, 8-21
				1701535	8-4, 8-8, 8-14, 8-20	1703568	8-9, 8-21
				1701615	8-4, 8-8, 8-14, 8-20	1703583	8-7, 8-20
				1701616	8-4, 8-8, 8-14, 8-20	1703662	8-8, 8-20

SECTION 11 PART NUMBER INDEX

Part Number	Page	Part Number	Page	Part Number	Page	Part Number	Page
1703663	8-8, 8-20	2360437	1-6	2890047	4-31	2940100	2-24
1703665	8-9, 8-21	2360468	1-6	2900665	1-9	2940101	2-24
1703766	8-9	2400056	1-34	2900792	5-5, 5-16	2980113	4-10, 4-15, 4-20, 4-27
1703767	8-9	2420165	2-20	2900838	9-1	3010088	4-9, 4-14, 4-20, 4-26
1703768	8-21	2420176	4-32	2900874	7-10, 10-1	3010112	1-15
1703769	8-21	2420179	2-20	2900887	10-1	3020017	1-15
1703770	8-21	2460022	1-30, 1-35	2900915	8-22	3160207	1-4, 1-9
1703771	8-21	2460031	1-35	2900916	8-22	3160208	1-4, 1-5, 1-9
1760165	1-16, 1-19	2540002	4-4	2900917	8-22	3160214	1-4, 1-9
1780290	2-23	2560088	4-10, 4-16, 4-20, 4-27	2900918	8-22	3160219	1-4, 1-13
1780291	2-3, 2-5	2560137	2-3, 2-5, 2-23	2900919	8-22	3160220	1-4, 1-5, 1-13
2080043	3-39	2560140	2-3, 2-23	2900920	8-22	3160221	1-5, 1-13
2080048	1-35	2560141	4-31	2900950	8-10	3251201	4-28
2120072	2-3, 2-5, 2-7, 2-11, 9-1	2640614	4-9	2900951	8-10	3251242	4-4
2120105	2-3, 2-5, 2-7, 2-11	2750999	6-4, 6-8	2900952	8-10	3251596	10-1
2160002	1-3, 1-4	2752175	6-4, 6-8	2900953	8-10	3251813	8-3, 8-9, 8-13, 8-21
2160006	1-3, 1-4	2752463	6-4, 6-8	2900954	8-10	3251852	4-10, 4-16, 4-21, 4-28
2160008	1-3, 1-4	2752478	6-4, 6-8	2900955	8-10	3252080	4-16, 4-21, 8-9, 8-22
2200233	2-3, 2-5, 2-7, 2-11	2752496	6-4, 6-8	2900956	8-10	3252136	4-10, 4-16, 8-9
2220218	6-3, 6-7	2752496	6-4, 6-8	2900961	8-22	3252454	8-9, 8-22
2220346	6-3, 6-7	2752593	6-4, 6-8	2901273	5-16	3252467	8-5, 8-10
2220346	6-3, 6-7	2752606	6-4, 6-8	2901278	5-6	3252468	8-5, 8-10
2220347	6-3, 6-7	2752607	6-4, 6-8	2901340	3-19	3252469	8-16, 8-22
2220371	6-3, 6-7	2752608	6-4, 6-8	2901352	3-27	3252470	8-16, 8-22
2220372	6-3, 6-7	2752609	6-4, 6-8	2901353	5-16	3252471	8-16, 8-22
2220373	6-3, 6-7	2752638	6-4, 6-8	2901366	3-3	3252472	8-16, 8-22
2220385	6-3, 6-7	2752639	6-4	2901367	3-11	3252478	2-19
2220415	6-3, 6-7	2752646	6-4	2901382	6-3	3252479	2-19
2220466	6-3, 6-7	2752647	6-4	2901383	6-3	3252481	4-31
2220470	6-3, 6-7	2752931	6-4, 6-8	2901384	6-3	3252507	4-4
2220473	6-3, 6-7	2752956	6-3, 6-8	2901385	6-4, 6-8	3252509	8-16, 8-22
2220501	6-3, 6-7	2752957	6-4, 6-8	2901409	6-3	3252510	8-16, 8-22
2220515	6-3, 6-7	2752958	6-3, 6-8	2901410	6-4, 6-8	3252511	8-5, 8-10
2220585	6-3, 6-7	2752958	6-3, 6-8	2901410	6-4, 6-8	3252512	8-5, 8-10
2220602	6-3	2752959	6-4, 6-8	2901443	7-10, 10-1, 10-2	3252517	8-5, 8-10
2220606	6-3, 6-7	2752960	6-3, 6-8	2901489	6-8	3252518	8-5, 8-10
2220606	6-3, 6-7	2752961	6-4, 6-8	2901490	6-8	3252519	8-5, 8-10
2220618	6-3, 6-7	2752963	6-4, 6-8	2901491	6-8	3252519	8-16
2220619	6-7	2752964	6-4, 6-8	2901492	6-8	3252520	8-16, 8-22
2220628	6-3, 6-7	2752968	6-4, 6-8	2901501	3-7	3252521	8-22
2220664	6-3, 6-7	2752969	6-3, 6-8	2901502	3-15	3252531	8-16
2220773	6-3	2780215	1-15, 1-16, 1-19	2901503	3-23	3252542	4-31
2220775	6-7	2780216	1-3, 1-4	2901504	3-31	3252562	8-22
2220828	6-3	2792219	6-3, 6-10	2901571	4-21, 4-29	3271405	2-24
2220883	5-5, 5-16	2792220	6-3, 6-10	2901572	4-29	3272605	1-15
2220885	5-5, 5-16	2792221	6-3, 6-10	2901573	4-11, 4-14	3300047	4-11, 4-16, 4-22, 4-29
2221000	6-3, 6-7	2792222	6-3, 6-10	2901844	1-29, 1-33, 1-43	3300255	1-3, 1-4, 1-15, 1-19
2221014	6-3, 6-7	2792316	6-7, 6-10	2901847	1-29, 1-33, 1-43	3300373	4-11, 4-14, 4-17, 4-22, 4-26, 4-29
2360395	1-6	2792317	6-7, 6-10	2920093	4-5	3300374	4-9, 4-14, 4-20, 4-26
2360396	1-6	2792318	6-7, 6-10	2920146	1-30, 1-34	3300375	4-9, 4-13, 4-19, 4-25
2360397	1-6	2792319	6-7, 6-10	2940045	2-7, 2-11, 2-23	3300429	2-23, 2-24
2360399	1-6	2820025	4-5	2940056	4-20	3310601	4-31, 6-7
2360412	1-6	2820084	2-23, 2-24	2940061	4-10, 4-16, 4-21, 4-28	3311001	1-30, 1-34, 2-24, 3-43
2360419	1-6	2820087	2-24	2940064	4-9, 4-14, 4-20, 4-26	3311005	1-21, 1-25, 1-30, 1-34, 2-19, 4-9, 4-29
2360428	1-6	2820088	2-23	2940074	4-11, 4-17, 4-22, 4-29		
2360429	1-6	2820094	2-24	2940074	4-11, 4-17, 4-22, 4-29		
2360431	1-6	2820095	2-24	2940097	1-15		
2360432	1-6	2820097	4-9, 4-20	2940098	2-3, 2-5, 2-23		
2360433	1-6	2820297	4-13, 4-26	2940099	2-3, 2-7, 2-11, 2-23		
2360434	1-6	2860030	2-19, 9-1				

SECTION 11 PART NUMBER INDEX

Part Number	Page	Part Number	Page	Part Number	Page	Part Number	Page
	11, 4-14, 4-17, 4-20, 4-22, 4-26, 4-29	3340781 3-35, 3-37, 3-39	3510547 4-3	3600269 2-11
3311401	2-19, 2-23, 4-4, 4-5, 4-9, 4-11, 4-16, 4-21, 4-22, 4-25, 4-28, 4-29, 4-32, 8-3, 8-7, 8-13, 8- 19	3340784	3-3, 3-11, 3-19, 3-27	3510549 4-3	3640614 4-14, 4-19, 4-26
3311402	5-5, 5-9, 5-15, 5-19	3340841	3-7, 3-15, 3-23, 3-31	3510551 4-3	3640713 4-13
3311405	1-15, 1-29, 1-30, 1- 31, 1-33, 1-34, 1-35, 2-3, 2-5, 2- 7, 2-8, 2-11, 2- 12, 2-19, 2-20, 2-23, 3-8, 3-12, 3-16, 3-20, 3-24, 3-28, 3-32, 3-35, 3-37, 3-39, 4-4, 4-6, 4-9, 4-10, 4- 13, 4-16, 4-19, 4-21, 4-25, 4-28, 8-7, 8-19	3421895 4-3	3510553 4-3	3640727 4-13
3311501	1-21, 1-25, 4-21, 4- 28	3421913	4-19, 4-21, 4-25, 4- 28	3510567 4-10	3640728 4-13
3311505	1-21, 1-25, 1-29, 1- 31, 1-33, 1-35, 2-5, 2-7, 2-11, 3- 3, 3-7, 3-11, 3- 15, 3-19, 3-20, 3-23, 3-24, 3-27, 3-28, 3-31, 3-32, 3-35, 3-37, 3-39, 4-3, 4-4, 4-10, 4- 15, 4-21, 4-28	3422483	3-19, 3-23, 3-27, 3- 31	3510568 4-10	3640730 4-14
3311605	1-21, 1-25, 1-31, 1- 35, 1-36, 2-3, 3- 35, 3-37, 3-39, 4-14	3422484	3-19, 3-23, 3-27, 3- 31	3510569 4-20	3640731 4-14
3311608 2-23	3422485	3-19, 3-23, 3-27, 3- 31	3510570 4-20	3640738 4-25
3311801 1-3, 1-4, 2-23	3422488	3-3, 3-7, 3-11, 3-15, 3-19, 3-23, 3-27, 3-31	3510571 4-15	3640740 4-25
3311805	1-29, 1-33, 2-3, 2-5	3422494	3-3, 3-7, 3-11, 3-15	3510572 4-15	3640742 4-19, 4-25
3312202	4-10, 4-16, 4-21, 4- 28	3422495	3-3, 3-7, 3-11, 3-15	3510573 4-15	3640743 4-25
3312205 1-21, 1-25	3422496	3-3, 3-7, 3-11, 3-15	3510574 4-27	3640744 4-26
3321402	5-5, 5-9, 5-11, 5-15, 5-19, 5-23	3422597 3-27, 3-31	3510575 4-27	3640745 4-26
3322202	4-10, 4-16, 4-21, 4- 28	3422723	4-10, 4-16, 4-21, 4- 28	3510576 4-27	3640748 4-27
3340564	8-3, 8-7, 8-13, 8-19	3430416	4-19, 4-21, 4-25, 4- 28	3510577 4-15	3640749 4-27
3340612	4-6, 4-9, 4-13, 4-19, 4-26, 8-7, 8-19	3430620 1-15, 1-19	3510578 4-15	3640750 4-9
3340629	3-3, 3-7, 3-11, 3-15, 3-19, 3-23, 3-27, 3-31, 4-3	3430811 1-4	3510579 4-15	3640751 4-9
3340645	3-3, 3-7, 3-11, 3-15, 3-19, 3-23, 3-27, 3-31	3430812 1-4	3510580 4-27	3640753 4-19, 4-25
3340780 3-35, 3-37, 3-40	3430824 1-3, 1-5	3510581 4-27	3640761 4-25
		3440418 1-21, 1-25	3510582 4-27	3640885 4-19
		3440828 1-21, 1-25	3520071 1-29, 1-33	3640886 4-19
		3450203	4-19, 4-21, 4-25, 4- 28	3520072	3-35, 3-37, 3-39, 4- 9, 4-11, 4-13, 4- 16, 4-17, 4-19, 4-22, 4-25, 4-29	3640887 4-20
		3450403	1-3, 1-4, 1-15, 1-19	3520077	2-3, 2-5, 2-7, 2-11	3640888 4-20
		3450405	5-5, 5-9, 5-11, 5-15, 5-19, 5-23	3533370	4-9, 4-14, 4-20, 4-26	3640957 4-19
		3450406 1-3, 1-4	3534742 4-14, 4-26	3640958 4-19
		3450504 1-15	3534743 4-14	3641209 4-9
		3480211 5-15	3534995	4-11, 4-16, 4-22, 4- 29	3641210 4-13
		3480212 5-5	3535337 4-26	3641235 4-19, 4-26
		3480218 5-15	3535492 4-26	3641315 4-27
		3510316 4-15	3535681 4-4	3740069 2-19, 7-13, 9-1
		3510317 4-15	3537619	4-10, 4-15, 4-21, 4- 27	3740117 2-19
		3510325 4-15	3538808 1-21	3740120 2-19
		3510326 4-15	3538809 1-21	3740130 2-19, 9-1
		3510346 4-27	3538844 2-23	3760170	2-20, 5-5, 5-15, 5-19
		3510347 4-27	3539239 2-8	3760348	4-11, 4-16, 4-21, 4- 28
		3510391 4-27	3539264 3-20, 3-24	3760365 1-36
		3510392 4-27	3539265 3-28, 3-32	3760368 5-6
		3510489 4-15	3539445 2-8	3760369 5-16
		3510490 4-15	3539446 2-8, 2-12	3760370 5-16
		3510491 4-27	3539447 2-8, 2-12	3760387	3-3, 3-7, 3-11, 3-15, 3-19, 3-23, 3-27, 3-31
		3510492 4-10	3539735 1-31, 1-35	3780166 1-3, 1-5
		3510493 4-10	3539736 1-31, 1-35	3820001	4-10, 4-16, 4-21, 4- 28
		3510494 4-27	3539766 2-7, 2-11	3820019	4-9, 4-13, 4-21, 4-28
		3510495 4-20	3539796 3-12, 3-16	3820023 1-31, 1-35
		3510496 4-20	3539875 2-8	3841074 4-10, 4-15
		3510530 4-3	3539897 3-37, 3-39	3841127 5-5, 5-15, 5-19
		3510531 4-3	3539907 3-35, 3-37	3841130 4-27
		3510532 4-3	3570029 1-30, 1-34	3841201 4-20, 4-27
		3510536 4-3	3570030 1-30, 1-34	3841233	4-10, 4-16, 4-21, 4- 28
				3570198 1-25	3841266 1-22
				3570381 4-9, 4-13	3841274 1-15
				3571010 4-21, 4-28	3841280 1-15
				3600219 2-3, 2-7	3841308 1-22
				3600266 2-5, 2-11	3841320 1-5

SECTION 11 PART NUMBER INDEX

Part Number	Page	Part Number	Page	Part Number	Page	Part Number	Page
3841321	1-3		29	4360450	4-32, 9-1	4520175	1-5
3841322	1-3	4160078	4-10, 4-16, 4-21, 4-28	4360461	6-7	4520176	1-6
3841324	1-5			4400378	2-7	4520177	1-5
3841332	1-19	4160133	1-21, 1-25	4400388	2-3, 2-5	4520183	1-6
3841333	1-19	4160134	1-22, 1-26	4400394	2-7, 2-11	4520191	1-6
3841334	1-19	4160136	3-35, 3-37, 3-39	4420037	2-5, 2-11	4565008	5-15
3841337	1-26	4160137	1-15, 1-19	4420038	2-3, 2-5, 2-7, 2-11	4565191	4-19, 4-25, 4-26
3841338	1-26	4160141	1-21, 1-25	4420052	8-5, 8-10, 8-16, 8-22	4565201	4-10, 4-13, 4-14
3841379	1-3	4160146	1-22, 1-26	4420055	3-37, 3-39, 4-9, 4-14, 4-20, 4-26	4565202	4-13, 4-14
3841387	1-3	4220044	5-5, 5-9, 5-11, 5-15, 5-19, 5-23	4460022	2-24	4565203	4-14
3860052	4-10, 4-15, 4-20, 4-27	4220166	2-24	4460044	1-34	4565261	4-26
3860059	4-10, 4-15, 4-20, 4-27	4240018	3-4, 3-8, 3-12, 3-16, 3-20, 3-24, 3-28, 3-32, 4-6	4460049	4-4	4565285	4-9, 4-19, 4-26
3860065	1-21, 1-26			4460051	4-4	4565665	3-12
3860079	1-26	4240033	3-4, 3-8, 3-12, 3-16, 3-20, 3-24, 3-28, 3-32, 3-35, 3-37, 3-39, 4-4, 4-5	4460052	3-43, 4-11, 4-16, 4-22, 4-29	4566514	4-19
3900168	4-11, 4-16, 4-22, 4-29			4460069	4-11, 4-16, 4-22, 4-29	4566787	5-15
3900177	4-31	4240084	1-31, 1-35, 2-23	4460071	3-8, 3-16, 3-24, 3-32	4566819	5-5
3900178	4-31			4460225	7-11	4566833	1-4, 1-5
3900184	4-9, 4-11, 4-13, 4-17, 4-19, 4-22, 4-25, 4-29	4240114	3-3, 3-11, 3-12, 3-19, 3-20, 3-27, 3-28	4460226	3-43	4566849	2-3, 2-5, 2-7, 2-11
3900213	3-35, 3-37, 3-40	4240116	3-20, 3-24, 3-28, 3-32	4460227	7-12	4566897	6-4, 6-8
3900226	4-31			4460259	2-19, 7-13	4566898	6-4, 6-8
3900227	4-31	4240125	3-3, 3-7, 3-11, 3-12, 3-15, 3-16, 3-19, 3-20, 3-23, 3-24, 3-27, 3-28, 3-31, 3-32	4460260	2-19, 7-14	4566968	6-4, 6-8
3900256	4-4			4460265	4-35, 4-37, 7-12	4566969	6-4, 6-8
3911008	2-19			4460267	4-11, 4-16, 4-22, 4-29, 4-37, 6-7, 7-11, 7-12, 10-1	4567026	6-4, 6-8
3911014	4-11, 4-17, 4-22, 4-29	4240127	3-4, 3-8, 3-12, 3-16, 3-20, 3-24, 3-28, 3-32	4460268	1-30, 1-34, 7-11, 7-12, 7-13	4567060	3-37, 3-39
3911020	1-30, 1-34			4460315	4-4, 4-5	4567062	3-37, 3-39
3911024	1-25, 3-43			4460320	1-30, 1-34, 4-11, 4-16, 4-22, 4-29, 6-7, 7-11, 7-12, 7-13, 10-1	4567067	3-37, 3-39
3911028	1-21	4240128	3-3, 3-7, 3-11, 3-15, 3-16, 3-19, 3-23, 3-24, 3-27, 3-31, 3-32	4460326	3-43, 7-12	4567075	3-37, 3-39
3911034	4-9, 4-14, 4-20, 4-26			4460328	3-4, 3-8, 3-12, 3-16, 3-20, 3-24, 3-28, 3-32	4567076	3-35
3930828	2-16	4280301	3-43			4567077	3-35
3931032	2-15	4300133	2-19	4460343	7-11, 7-12	4567167	3-12, 3-16
3931416	4-11, 4-16, 4-22, 4-29	4360070	2-19, 9-1	4460424	7-13	4567265	1-19
3931516	5-5	4360164	4-5, 7-13	4460428	1-30, 1-34, 3-43	4640128	10-1
3931620	5-16	4360215	10-1	4460434	7-11	4640509	5-5, 5-16
3931720	5-16	4360236	4-11, 4-16, 4-22, 4-29	4460445	7-12	4640717	5-5, 5-9, 5-15, 5-19
3941406	1-29, 1-33, 1-35, 2-12, 3-4, 3-8, 3-12, 3-16, 3-20, 3-24, 3-28, 3-32, 3-43	4360277	4-11, 4-16, 4-22, 4-29, 9-1	4460449	2-16, 7-11	4640951	2-3, 2-7, 2-15
3951005	1-21	4360278	4-11, 4-16, 4-22, 4-29	4460462	7-10	4641001	5-11, 5-23
3951603	1-30, 1-33			4460463	4-31, 7-12	4641002	5-23
3960389	2-3, 2-5, 2-23	4360289	2-19, 4-31, 9-1	4460464	7-12	4641004	2-5, 2-11, 2-15
4060807	3-8, 3-16, 3-24, 3-32	4360321	1-30, 1-34, 9-1	4460465	7-10	4641012	5-11
4060914	4-31	4360328	2-19, 9-1	4460466	4-32, 7-10	4641014	5-11
4060927	1-29	4360387	1-30, 1-34, 4-33, 10-1	4460467	7-10, 10-2	4641015	5-23
4060928	1-29			4460468	7-10	4641021	2-5, 2-11, 2-15
4060936	1-33	4360395	2-19	4460470	4-31, 7-12	4711400	2-3, 2-5, 2-7, 2-11, 2-20, 2-23, 2-24, 3-12, 3-16, 3-35, 3-37, 3-39, 4-10, 4-15, 4-19, 4-21, 4-25, 4-28, 5-5, 5-9, 5-11, 5-15, 5-19, 5-23
4060937	2-8, 2-12	4360397	1-22, 3-43, 9-1, 10-1	4460471	4-31, 7-12		
4130329	1-3	4360401	1-22, 1-25, 9-1	4460473	7-10		
4130332	1-4	4360403	4-32, 9-1	4460510	7-10, 10-2		
4130336	1-3	4360433	2-19, 9-1	4460618	2-19, 2-24, 7-14	4711500	1-29, 1-33, 2-3, 2-5, 2-7, 2-11, 3-3, 3-7, 3-11, 3-15, 3-19, 3-20, 3-23, 3-24, 3-27, 3-28, 3-31, 3-32, 4-3
4160028	4-11, 4-17, 4-22, 4-29	4360435	1-29, 1-33, 9-1	4460662	1-21, 1-25	4711600	1-3, 1-5, 1-19, 2-3, 3-35, 3-37, 3-39
				4520174	1-6	4711800	1-4, 1-21, 1-25

SECTION 11 PART NUMBER INDEX

Part Number	Page	Part Number	Page	Part Number	Page	Part Number	Page
4712200	4-10, 4-15, 4-21, 4-27		28, 4-31	4921754	7-2, 7-10	7003978	4-35
4712400	1-21, 1-25	4843706	4-10, 4-15, 4-21, 4-27	4921755	7-2, 7-10	7003979	4-35
4740066	4-10, 4-15, 4-21, 4-27, 4-31	4844100	4-11, 4-17, 4-22, 4-29	4921756	7-2, 7-10	7003980	4-35
4740120	4-31	4844104	4-11, 4-17, 4-22, 4-29	4921782	4-32, 7-12	7003981	4-35
4740307	3-7, 3-15	4844414	4-5, 4-6	4921783	4-32, 7-12	7003983	4-35
4740419	1-3, 1-5	4844585	4-5	4921784	7-11	7003984	4-35
4740438	3-3, 3-7, 3-11, 3-15, 3-19, 3-23, 3-27, 3-31	4844586	4-5	4921785	7-11	7003988	4-35
4740453	1-3, 1-4	4844987	1-21, 1-26	4921786	7-11	7003989	4-35
4740455	1-31, 1-35	4845037	1-15, 1-19	4921819	1-29, 1-33, 7-12	7003990	4-35
4740474	2-23, 2-24	4845040	3-3, 3-11, 3-19, 3-27	4921821	1-30, 7-13	7003991	4-35
4740479	2-19	4845077	1-22, 1-26	4921822	1-30, 1-34, 7-13	7003992	4-35
4751000	1-21, 1-25, 1-30, 1-34, 2-19, 2-24, 3-43, 4-4, 4-9, 4-11, 4-14, 4-17, 4-20, 4-22, 4-26, 4-29	4845104	1-22	4921831	7-11	7003993	4-35
4751400	1-15, 1-29, 1-30, 1-31, 1-33, 1-34, 1-35, 2-7, 2-8, 2-11, 2-12, 2-19, 2-20, 2-23, 3-4, 3-8, 4-3, 4-5, 4-6, 4-9, 4-10, 4-13, 4-19, 4-25, 8-3, 8-7, 8-13, 8-19	4845129	2-23	4921832	7-11	7003994	4-35
4751500	1-30, 1-35, 3-3, 3-7, 3-11, 3-15, 3-19, 3-23, 3-27, 3-31, 3-35, 3-37, 3-39, 4-3, 4-4, 4-10, 4-16, 4-21, 4-28	4845130	2-23	4921833	7-11	7003995	4-35
4751600	1-15, 1-31, 1-35, 1-36, 3-35, 3-37, 3-39, 4-14	4845268	1-22	4921889	7-11	7003997	4-35
4751700	1-30, 1-35	4845269	1-22	4921890	7-11	7003998	4-35
4751800	1-29, 1-33, 2-3, 2-5, 2-23	4845270	1-22	4921891	7-11	7003999	4-35, 7-12
4752200	4-11, 4-16, 4-21, 4-28	4845271	2-3	4921892	7-11	7004275	10-2
4761000	1-30, 1-34, 2-24, 4-5	4845311	2-8	4921893	7-11	7004276	10-2
4761400	2-3, 2-5, 2-7, 2-11, 2-19, 2-23, 4-3, 4-5, 4-9, 4-11, 4-16, 4-19, 4-21, 4-22, 4-25, 4-28, 4-29, 8-3, 8-7, 8-13, 8-19	4845312	1-29	4921894	7-11	7005312	5-9, 5-19
4761500	4-21, 4-27	4845314	1-31, 1-35	4921895	4-32, 7-12	7005315	5-9, 5-19
4761600	1-21, 1-25, 3-35, 3-37, 3-39	4845315	1-31, 1-35	4921896	4-32, 7-12	7005356	5-20
4761800	1-3, 1-5	4845319	1-22, 1-26	4921958	7-11	7005358	5-11
4770600	4-31	4845326	2-23	4921986	2-19, 7-13	7005365	5-9
4791400	4-11, 4-16, 4-21, 4-28	4845357	1-22	4921988	1-34, 7-13	7005896	1-9
		4845358	1-22, 1-26	4921990	2-19, 7-13	7005897	1-9
		4845359	1-22, 1-26	4922011	7-12	7005899	1-9
		4845360	1-22, 1-26	4922013	7-11	7007892	1-13
		4845365	2-3, 2-5	4922014	7-11	7007893	1-13
		4845366	2-8, 2-12	4922025	7-11	7007894	1-13
		4845370	3-35, 3-37, 3-39	4922233	1-43	7007895	1-13
		4845371	3-39	4932831	7-2, 7-11	7007896	1-13
		4845372	3-37, 3-39	4932832	7-2, 7-11	7007897	1-13
		4845375	1-29, 1-33	4932972	7-2, 7-11	7007898	1-13
		4845376	3-35	4932973	7-2, 7-11	7007899	1-13
		4845379	1-29, 1-33	4933005	7-2, 7-11	7009919	1-13
		4845383	1-22, 1-26	7001097	5-3	7009920	1-13
		4845385	1-25	7001609	5-3	7009934	1-13
		4845431	3-3, 3-11, 3-19, 3-27	7001632	5-27	7010641	1-16, 1-19
		4845475	3-7, 3-15, 3-23, 3-31	7002820	10-1	7010642	1-16, 1-19
		4845490	1-26	7002821	7-10, 10-1	7010646	1-19
		4845495	4-6	7002822	10-2	7010647	1-16, 1-19
		4845496	4-6	7002823	7-10, 10-2	7010648	1-16, 1-19
		4845497	4-6	7002826	10-2	7010649	1-16, 1-19
		4845498	4-6	7002828	7-10	7010650	1-16, 1-19
		4845510	3-39	7003212	5-19, 5-23	7010651	1-16, 1-19
		4845512	3-39	7003226	5-19, 5-23	7011509	1-39, 1-41, 1-43, 9-1
		4845513	3-39	7003771	4-37	7011513	1-41
		4845514	3-39	7003789	4-37	7011517	1-39, 1-41
		4845515	3-39	7003790	4-37	7011523	1-39, 1-41
		4845529	1-26	7003791	4-37	7011528	1-39, 1-41
		4845814	4-21, 4-28	7003903	1-16	7011542	1-41
		4849875	2-12	7003933	4-35	7011543	1-39
		4920140	4-11, 4-16, 4-22, 4-29	7003946	4-35	7011551	1-39, 1-41
		4921753	7-2, 7-10	7003961	4-35	7011560	1-39
				7003966	4-35	7011576	1-39, 1-41
				7003969	4-35	7011590	1-43
				7003972	4-35	7011596	1-39
				7003973	4-35	7011621	1-43

SECTION 11 PART NUMBER INDEX

Part Number	Page	Part Number	Page	Part Number	Page	Part Number	Page
7011658	1-39	7016654	10-2	7018314	2-15	7020301	1-13
7011667	1-39	7016700	2-3, 2-7	7018315	2-15	7020302	1-13
7011681	1-41	7016703	2-3, 2-7	7018509	1-39, 1-41	7020303	1-13
7011684	1-39, 9-1	7016706	2-3, 2-7	7018512	1-39, 1-41	7020304	1-13
7011687	1-39, 1-41	7016707	5-27	7018513	1-39	7020305	1-13
7011925	4-37	7016708	5-27	7018514	1-39, 1-41, 1-43, 9-1	7020306	1-13
7011934	4-37	7016709	5-27	7018515	1-39	7020307	1-13
7011935	4-37	7016742	2-3, 2-5, 2-7, 2-11	7018516	1-39, 1-41	7020308	1-13
7011970	4-37	7016743	2-5, 2-11	7018517	1-41	7020309	1-13
7011971	4-37	7016746	2-5	7018518	1-41	7020310	1-13
7011972	4-37	7016747	2-5, 2-11	7018520	1-41	7020312	1-13
7011976	4-37	7016748	2-3, 2-5, 2-7, 2-11	7018522	1-41	7020500	4-37
7011978	4-37	7016781	2-3, 2-5, 2-7, 2-11	7018524	1-39	7020516	4-37
7011979	4-37	7017200	5-3	7018531	1-41	7020519	4-37
7011980	4-37	7017201	5-3	7018533	1-41, 9-1	7020536	4-37
7012611	4-31	7017202	5-3	7018537	1-43	7020605	1-43
7012612	2-19, 4-31	7017207	5-27	7018555	1-43	7020637	1-43
7012613	1-3, 1-4	7017208	5-27	7018564	1-43	7020638	1-43
7012773	2-15	7017209	5-27	7018578	1-43	7020639	1-43
7012792	2-16	7017220	5-3	7018582	1-43	7023336	1-30, 1-35
7012793	2-15	7017221	5-3	7018583	1-43	8896941	10-1
7012794	2-15	7017222	5-3	7018585	1-43		
7012953	5-11, 5-23	7017223	5-3	7018586	1-43		
7012967	5-11, 5-23	7017367	5-9, 5-11	7018589	1-43		
7013711	2-3, 2-5, 2-7, 2-11, 9-1	7017372	5-9, 5-20	7018592	1-41		
		7017373	5-20	7018912	2-15		
7014676	9-1	7017374	5-20	7018917	2-15, 9-1		
7016315	2-19	7017375	5-20	7018918	2-16		
7016319	1-30, 1-34	7017376	5-20	7018919	2-15		
7016320	1-34	7017377	5-20	7018920	2-16		
7016337	2-15	7017378	5-9, 5-11, 5-20	7019100	4-35		
7016348	2-15	7017379	5-9	7019101	4-35, 7-12		
7016349	2-15	7017380	5-9	7019102	4-35		
7016351	2-15, 2-16	7017381	5-9	7019302	5-11		
7016352	2-15	7017382	5-9, 5-12	7019600	5-5, 5-9, 5-11, 5-15, 5-19, 5-23		
7016372	1-30, 1-34	7017383	5-9	7019602	5-5, 5-9, 5-11, 5-15, 5-19, 5-23		
7016397	2-19	7017384	5-20				
7016400	1-9	7017385	5-20	7019604	2-19		
7016401	1-9	7017386	5-20	7019673	6-3, 6-7		
7016402	1-9	7017387	5-24	7019695	1-16, 1-19		
7016403	1-9	7017388	5-20	7019696	1-16, 1-19		
7016404	1-9	7017389	5-12	7019697	1-16, 1-19		
7016405	1-9	7017398	5-12	7019800	5-12		
7016406	1-9	7017399	5-12	7019801	5-12		
7016407	1-9	7017444	5-11, 5-23, 9-1	7019803	5-11		
7016408	1-9	7017445	5-23	7019804	5-24		
7016409	1-9	7018300	2-15	7019805	5-24		
7016410	1-9	7018301	2-15	7019806	5-24		
7016411	1-9	7018302	2-15	7019807	5-24		
7016412	1-10	7018303	2-15	7019808	5-24		
7016413	1-9	7018304	2-15	7019809	5-24		
7016414	1-9	7018305	2-15	7019810	5-24		
7016415	1-9	7018307	2-15	7019811	5-24		
7016416	1-9	7018308	2-15	7019812	5-24		
7016418	1-9	7018309	2-15	7020072	6-3, 6-7		
7016419	1-9	7018310	2-15	7020075	4-31		
7016420	1-9	7018311	2-15, 9-1	7020076	4-31		
7016421	1-10	7018312	2-15	7020300	1-13		
7016630	4-5	7018313	2-15				



3120847



An Oshkosh Corporation Company

Corporate Office
JLG Industries, Inc.
1 JLG Drive
McConnellsburg PA. 17233-9533
USA

☎ (717) 485-5161

📠 (717) 485-6417

JLG Worldwide Locations

JLG Industries (Australia)
P.O. Box 5119
11 Bolwarra Road
Port Macquarie
N.S.W. 2444
Australia

☎ +61 2 65 811111

📠 +61 2 65 813058

JLG Latino Americana Ltda.
Rua Eng. Carlos Stevenson,
80-Suite 71
13092-310 Campinas-SP
Brazil

☎ +55 19 3295 0407

📠 +55 19 3295 1025

JLG Industries (UK) Ltd
Bentley House
Bentley Avenue
Middleton
Greater Manchester
M24 2GP - England

☎ +44 (0)161 654 1000

📠 +44 (0)161 654 1001

JLG France SAS
Z.I. de Baulieu
47400 Fauillet
France

☎ +33 (0)5 53 88 31 70

📠 +33 (0)5 53 88 31 79

JLG Deutschland GmbH
Max-Planck-Str. 21
D - 27721 Ritterhude - Ihlpohl
Germany

☎ +49 (0)421 69 350 20

📠 +49 (0)421 69 350 45

JLG Equipment Services Ltd.
Rm 1107 Landmark North
39 Lung Sum Avenue
Sheung Shui N. T.
Hong Kong

☎ (852) 2639 5783

📠 (852) 2639 5797

JLG Industries (Italia) s.r.l.
Via Po. 22
20010 Pregnana Milanese - MI
Italy

☎ +39 029 359 5210

📠 +39 029 359 5845

Oshkosh-JLG Singapore
Technology Equipment Pte
Ltd
29 Tuas Ave 4,
Jurong Industrial Estate
Singapore, 639379

☎ +65-6591 9030

📠 +65-6591 9031

Plataformas Elevadoras
JLG Iberica, S.L.
Trapadella, 2
P.I. Castellbisbal Sur
08755 Castellbisbal, Barcelona
Spain

☎ +34 93 772 4700

📠 +34 93 771 1762

JLG Sverige AB
Enkopingsvagen 150
Box 704
SE - 176 27 Jarfalla
Sweden

☎ +46 (0)850 659 500

📠 +46 (0)850 659 534